

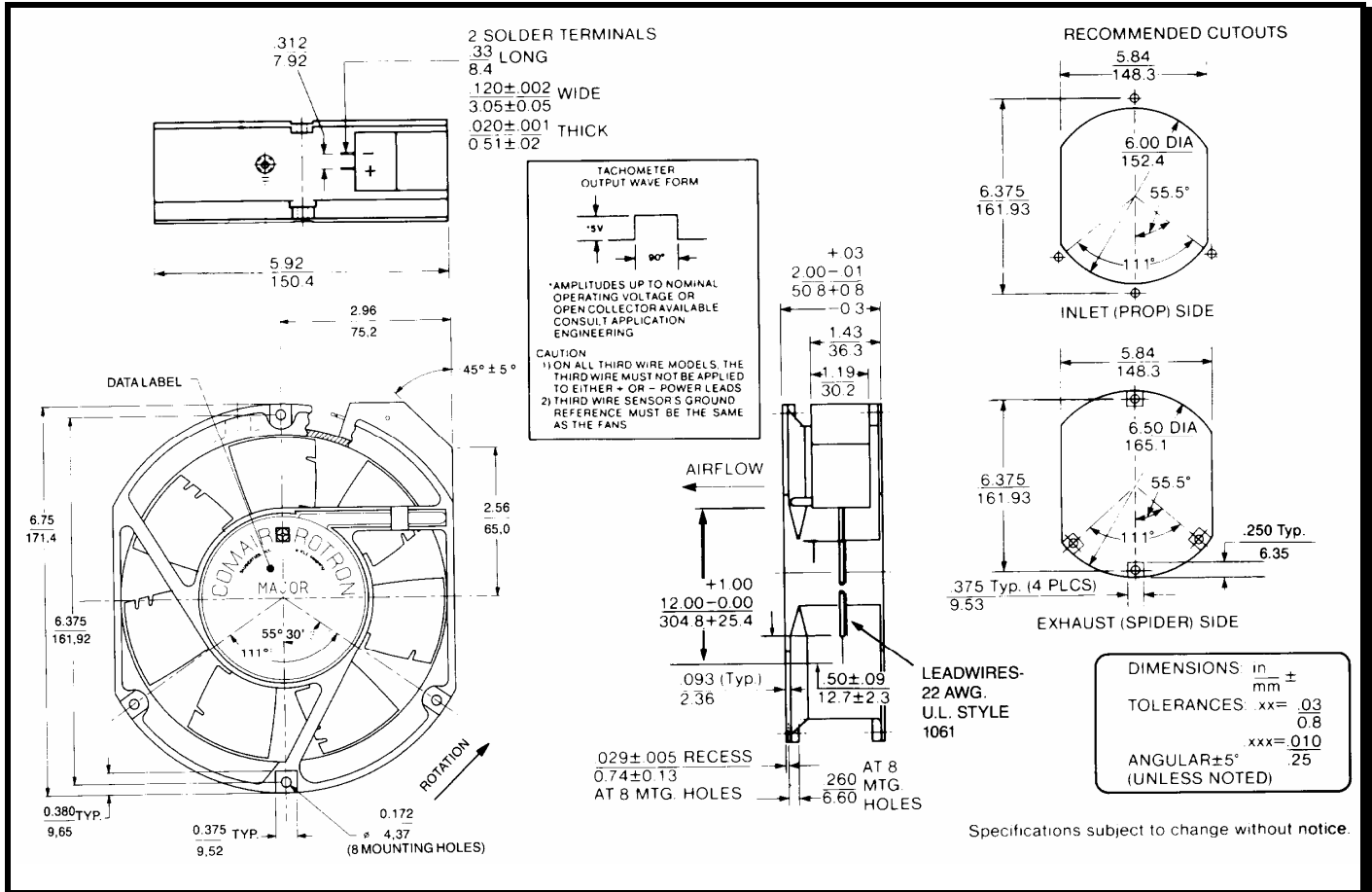
SPECIFICATIONS



Model Number: JQ24B3QDNX
Part Number: 032571

April 25, 2005

Mechanical Drawing:



Motor:

Nominal Voltage	= 24 vdc
Operating Voltage Range	= 12 - 28 vdc
Nominal Running Current	= 1.00 amps
Locked Rotor Current	= 1.55 amps
Running Power	= 24.0 watts
Average Speed	= 3425 rpm
Bearings	= Ball
Air Flow	= 235 cfm
Acoustic	= 54.3 dBA

Construction:

Venturi: Die-cast aluminum, Black
 Propeller: Plastic, Black, UL 94V-0

Agency Approvals:

UL, TUV, CSA

Life Expectancy:

This fan is designed for continuous duty life of 75,000 hours at 40°C.

Additional Features:

- Brushless DC motor
- Locked Rotor Protection
- Automatic Restart Capability
- Polarity Protected
- Operating Temperature -10°C to 70°C
- Storage Temperature -40°C to 85°C

Fan Performance Sensor (FPS):

Output:	Open Collector
I _c :	20 mA Max
V _{cc} :	28 Vdc Max
Logic Level:	High on Pass, Low on Fail
Isolated:	No
Latching:	No
Delay:	10 ± 4 seconds

Termination:

- 12" Lead wires, 22 AWG, UL1061
- Red = Power (+)
- Black = Return (-)
- Blue/White = Alarm (FPS)