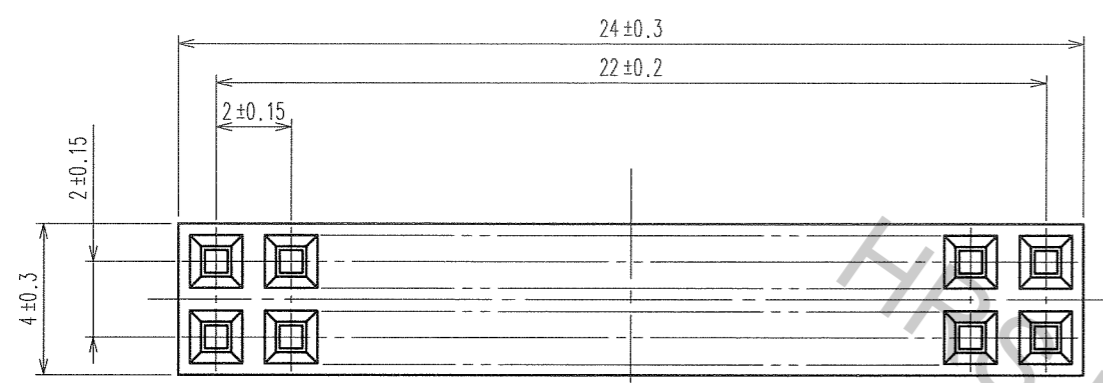
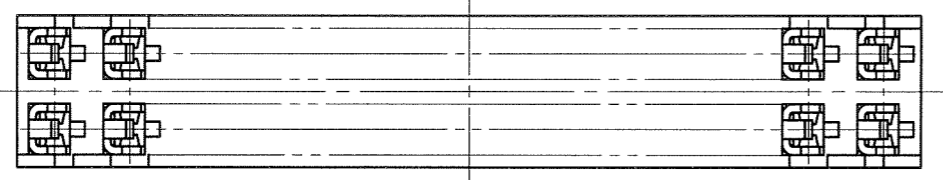
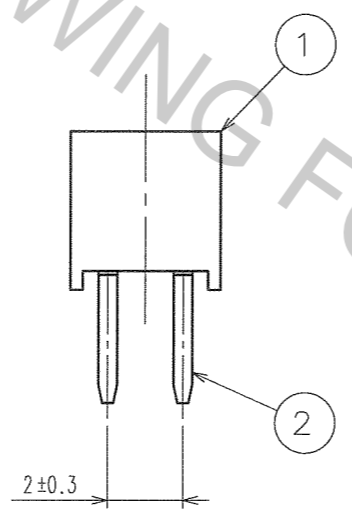
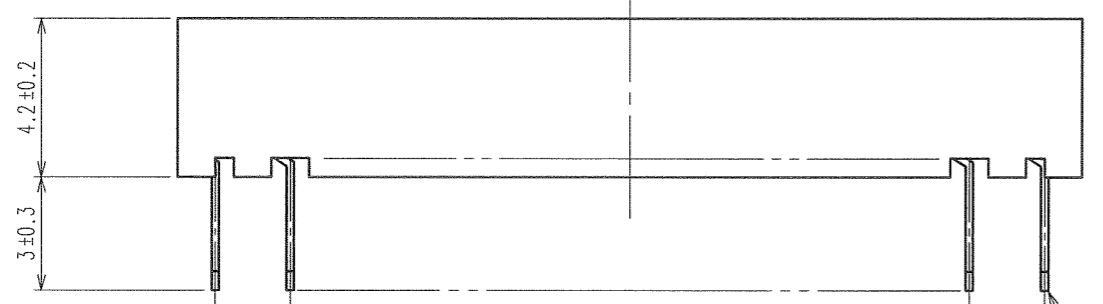
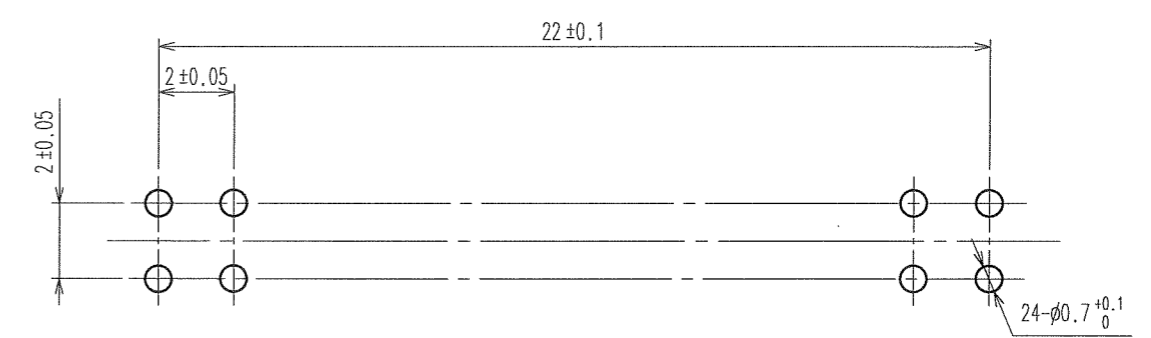


Apr.1.2017 Copyright 2017 HIROSE ELECTRIC CO., LTD. All Rights Reserved.

COUNT	DESCRIPTION OF REVISIONS	BY	CHKD	DATE	COUNT	DESCRIPTION OF REVISIONS	BY	CHKD	DATE
△				..	△				..
△				..	△				..
△				..	△				..



RECOMMENDED PC BOARD HOLE PATTERN



NOTE 1. THE CONTACT CUT SECTION IS UNPLATED.
2. THE DIMENSIONS IN PARENTHESES ARE FOR REFERENCE.

1	PBT	BLACK UL94V-0	2	PHOSPHOR BRONZE	CONTACT AREA:GOLD 0.2μm min. DIP AREA:TIN-PLATING 1μm min. UNDER PLATING:NICKEL 1μm min.
NO.	MATERIAL	FINISH, REMARKS	NO.	MATERIAL	FINISH, REMARKS

CODE NO. (OLD) CL	DRAWN K. NAKAMURA 06.05.20	DESIGNED K. NAKAMURA 06.05.20	CHECKED <i>K. Nakamura</i> 06.05.20	APPROVED <i>H. Okawa</i> 06.05.20	RELEASED ..
----------------------	----------------------------------	-------------------------------------	---	---	----------------

	DRAWING NO. EDC3-081236-21	PART NO. A3C-24DA-2DSA(71)
SCALE 5 : 1		CODE NO. CL621-0511-0-71
UNITS mm		1/1

TO