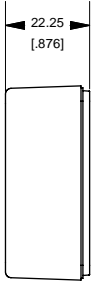
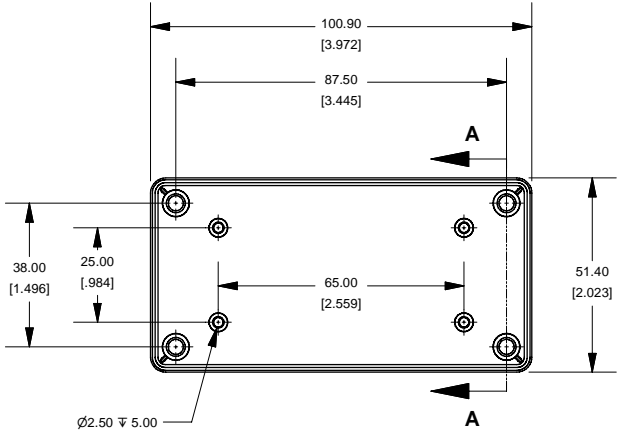


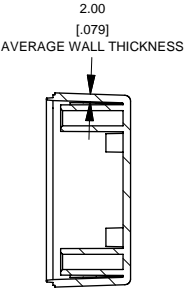
1591XXASFL Enclosure



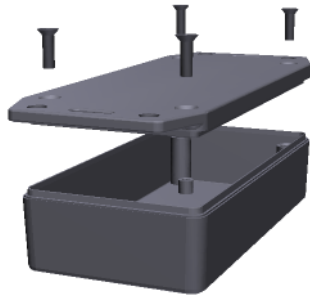
SIDE VIEW OF BOX



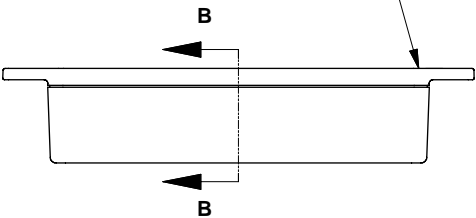
TOP VIEW OF BOX



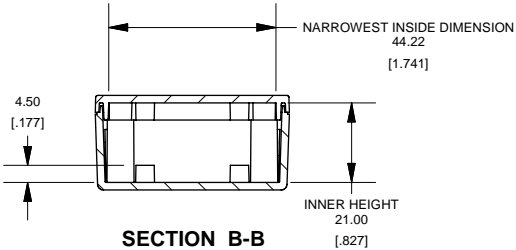
SECTION A-A



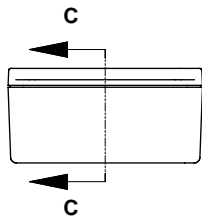
Cover Screws #4 x 1/2" Self-Tapping Screws



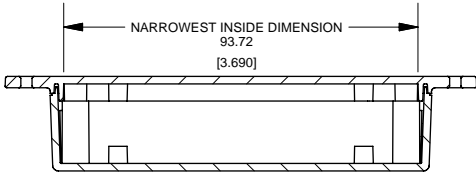
SIDE VIEW OF ENCLOSURE



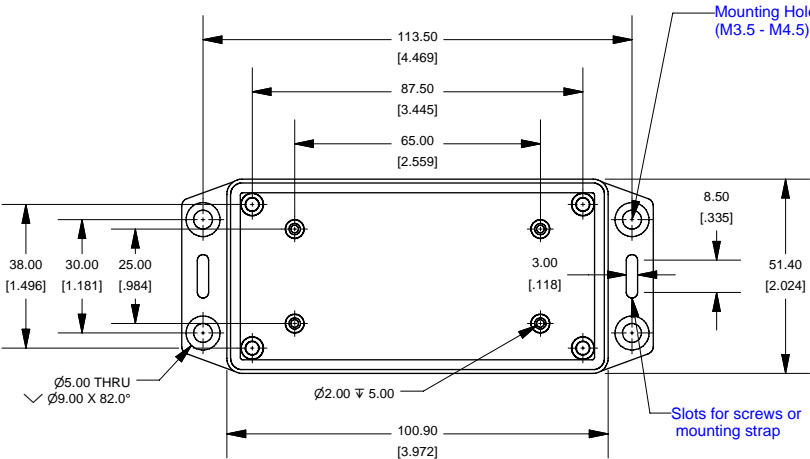
SECTION B-B



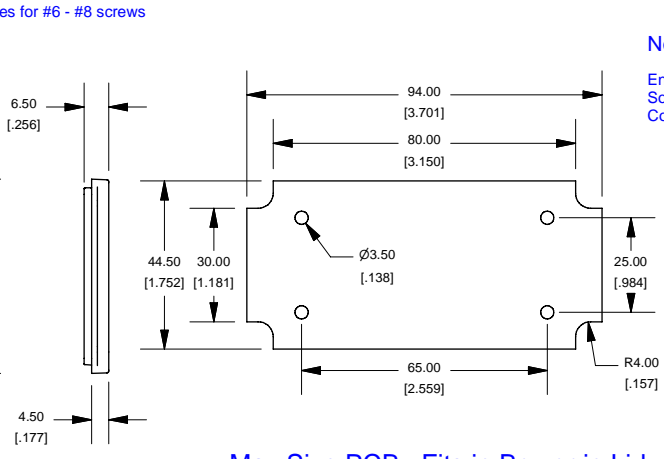
END VIEW OF ENCLOSURE



SECTION C-C



BOTTOM VIEW OF LID



SIDE VIEW OF LID

Note:
Enclosures can be Factory Modified (Milling, Drilling, Printing etc.)
Solid models of this enclosure available in STEP or IGES.
Contact Factory mjm@hammondmg.com

NOTE	
Enclosure molded from GPABS UL-94HB plastic	
Other materials / colours available. Consult factory.	

1591XXASFL	
1591XXASFL Enclosure	
Black - RAL 7011	1591XXASFLBK
ACCESSORIES	
Black Cover Screws	1591TS100BK
PCB Screws	1593ATS50 (pkg 50)
[#4 x 1/4" self-tapping (6.4mm)]	1593ATS100 (pkg 100)

Max Size PCB. Fits in Box or in Lid.
Not supplied with Enclosure

