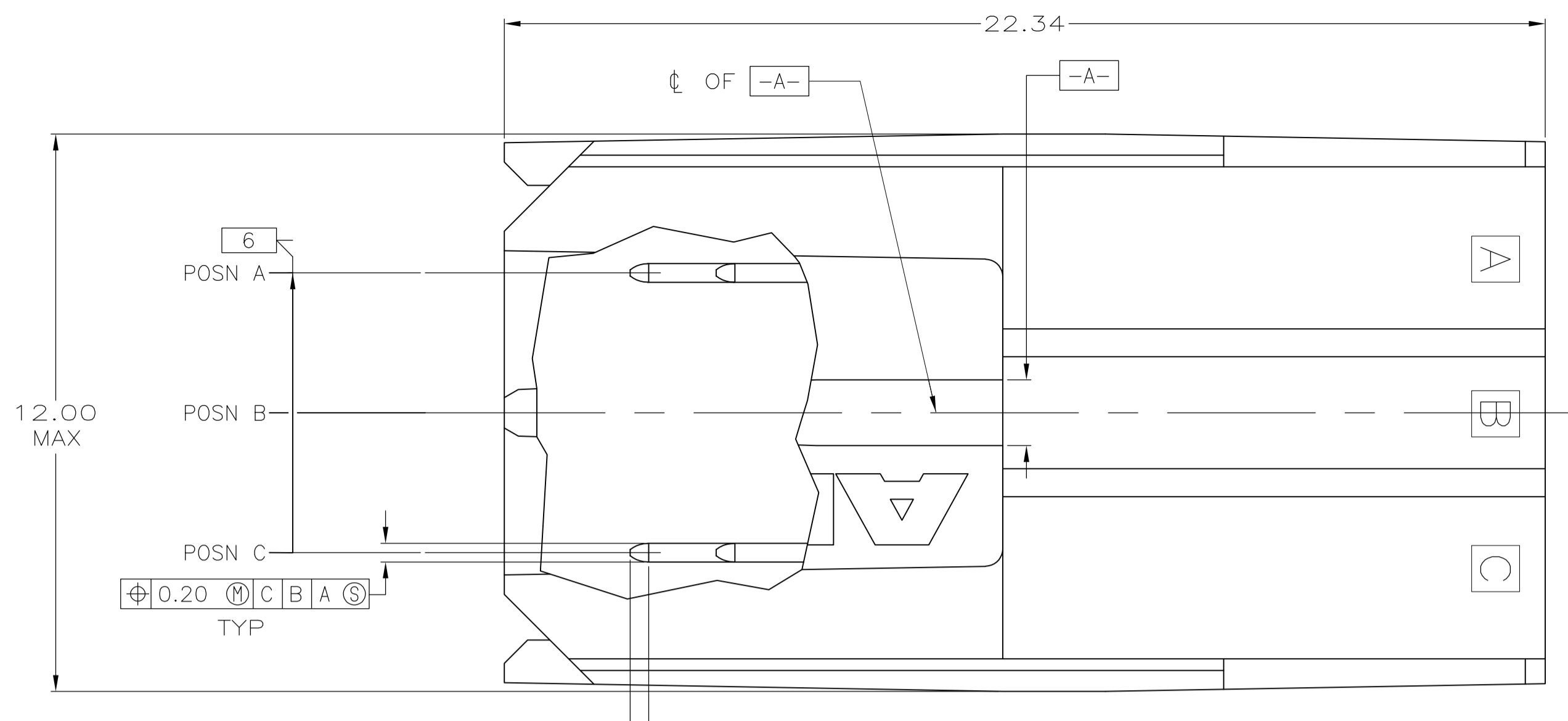
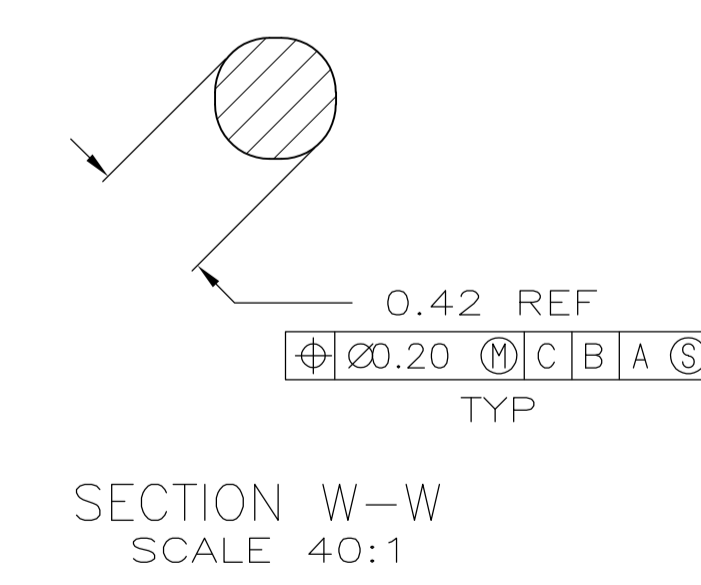
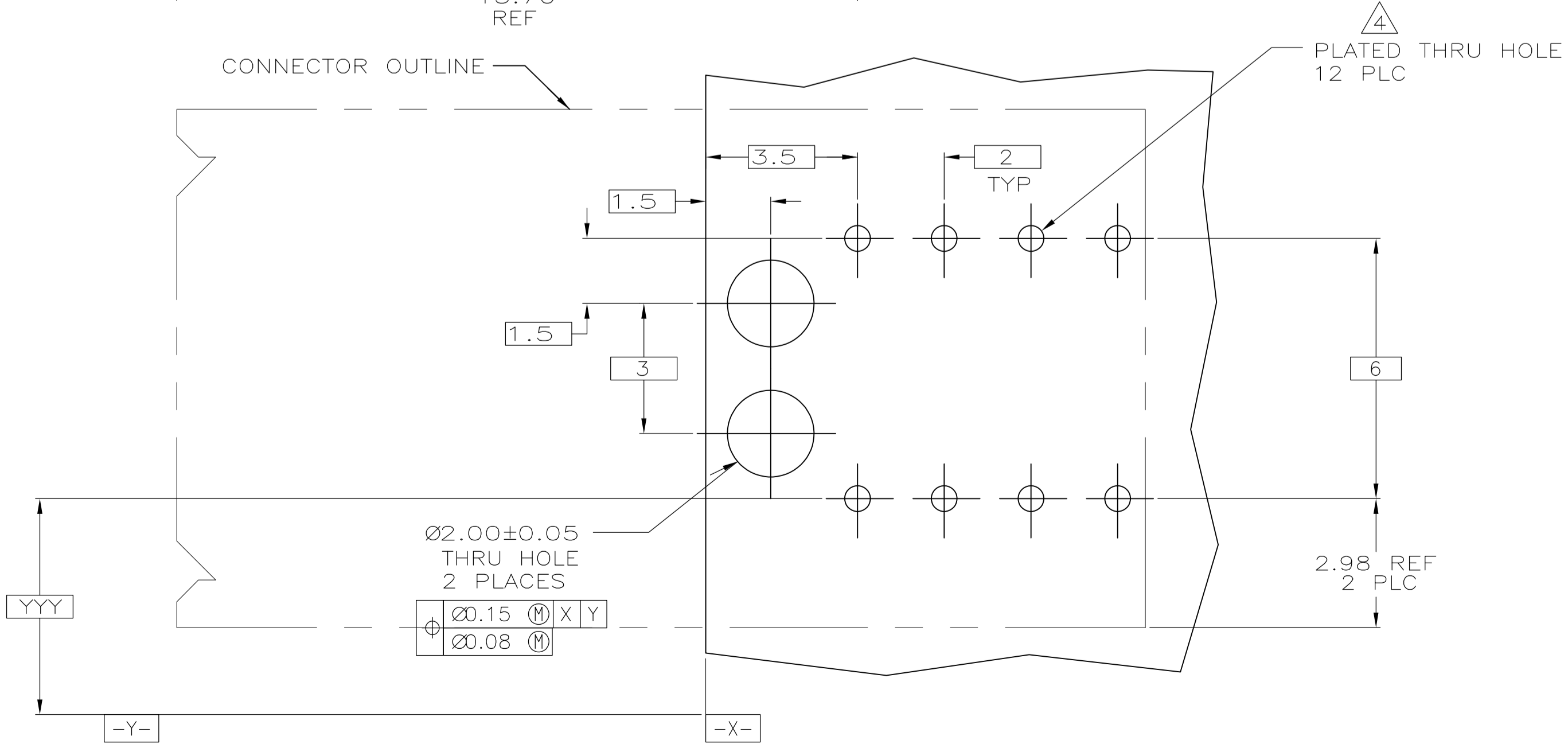
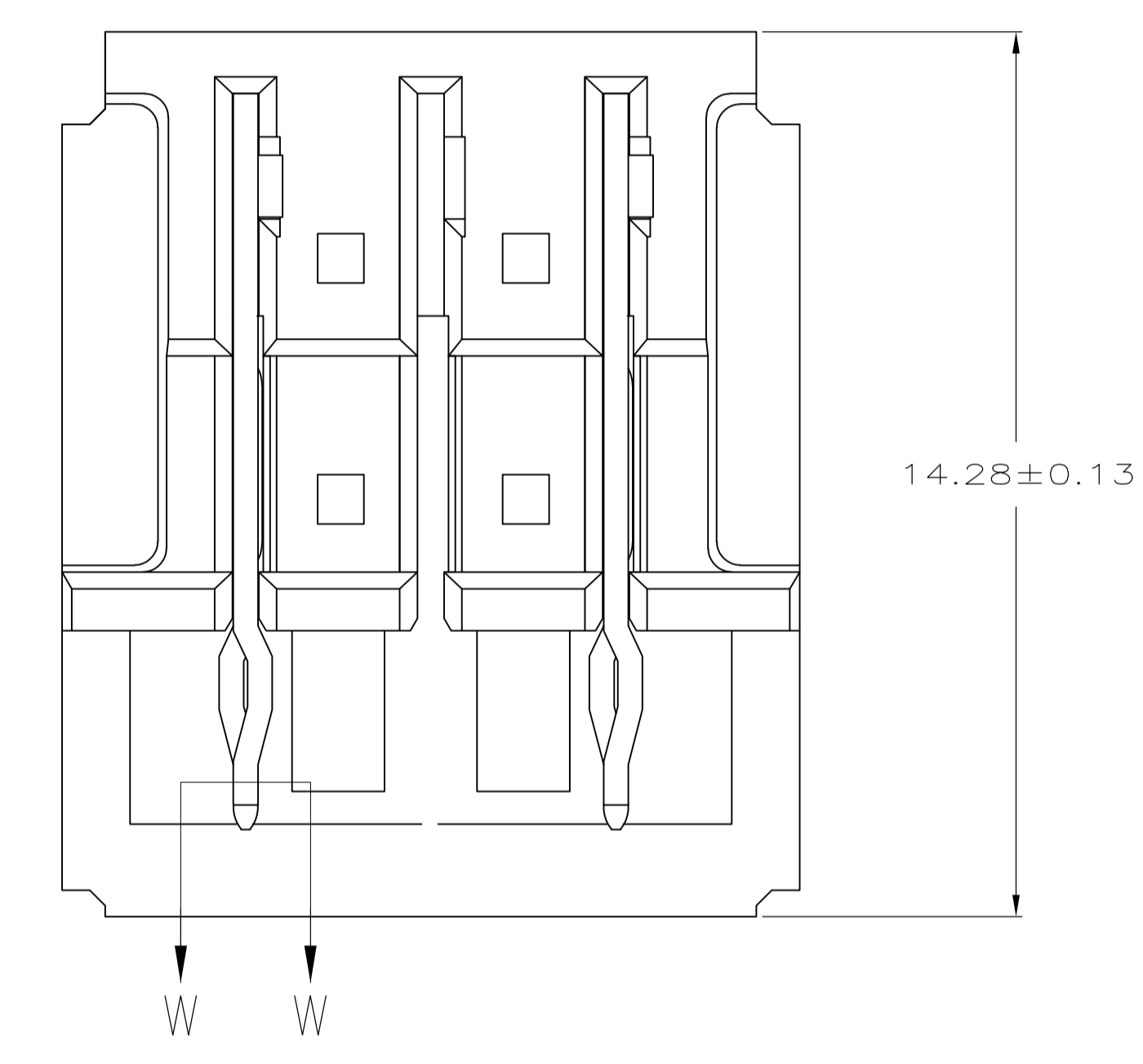
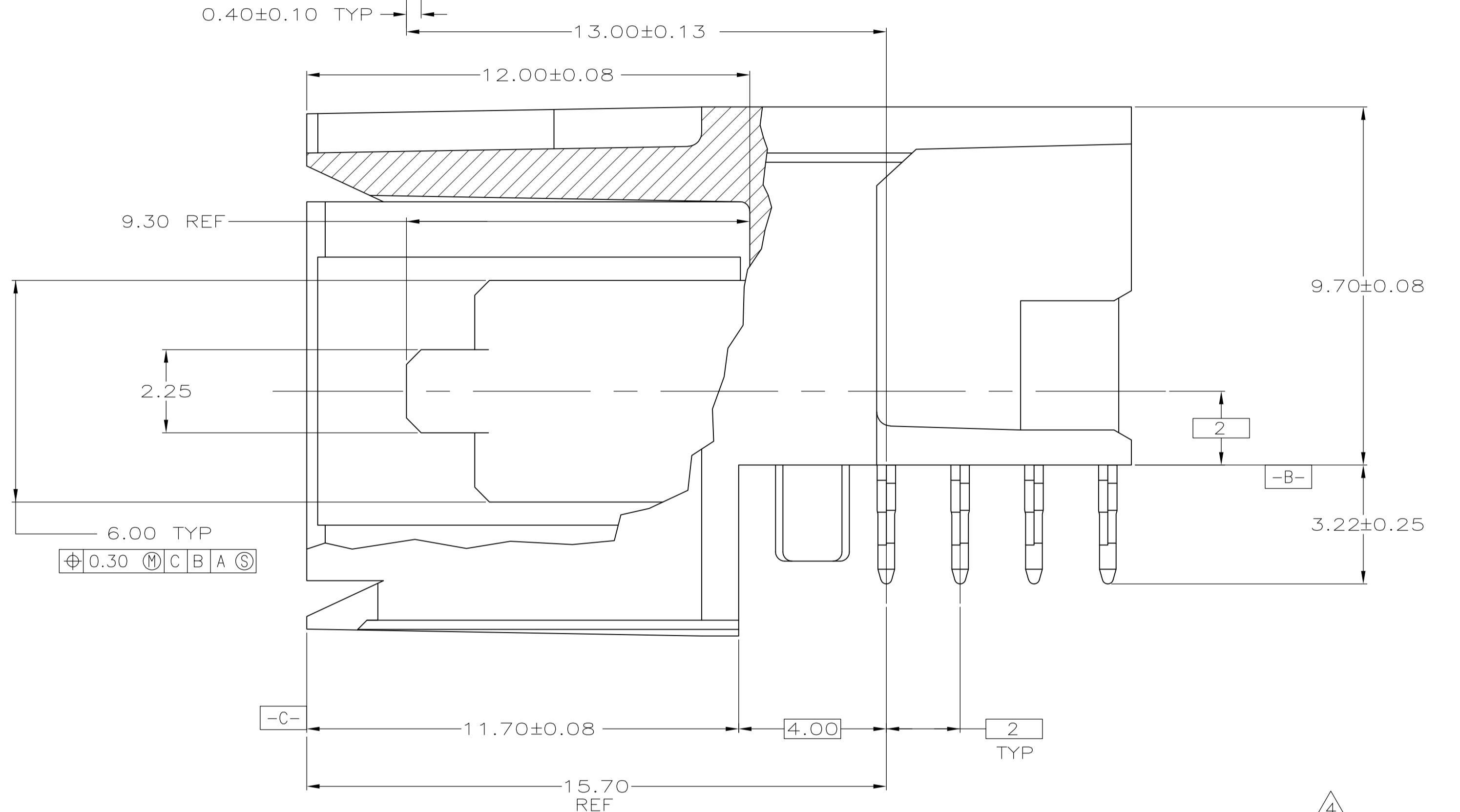
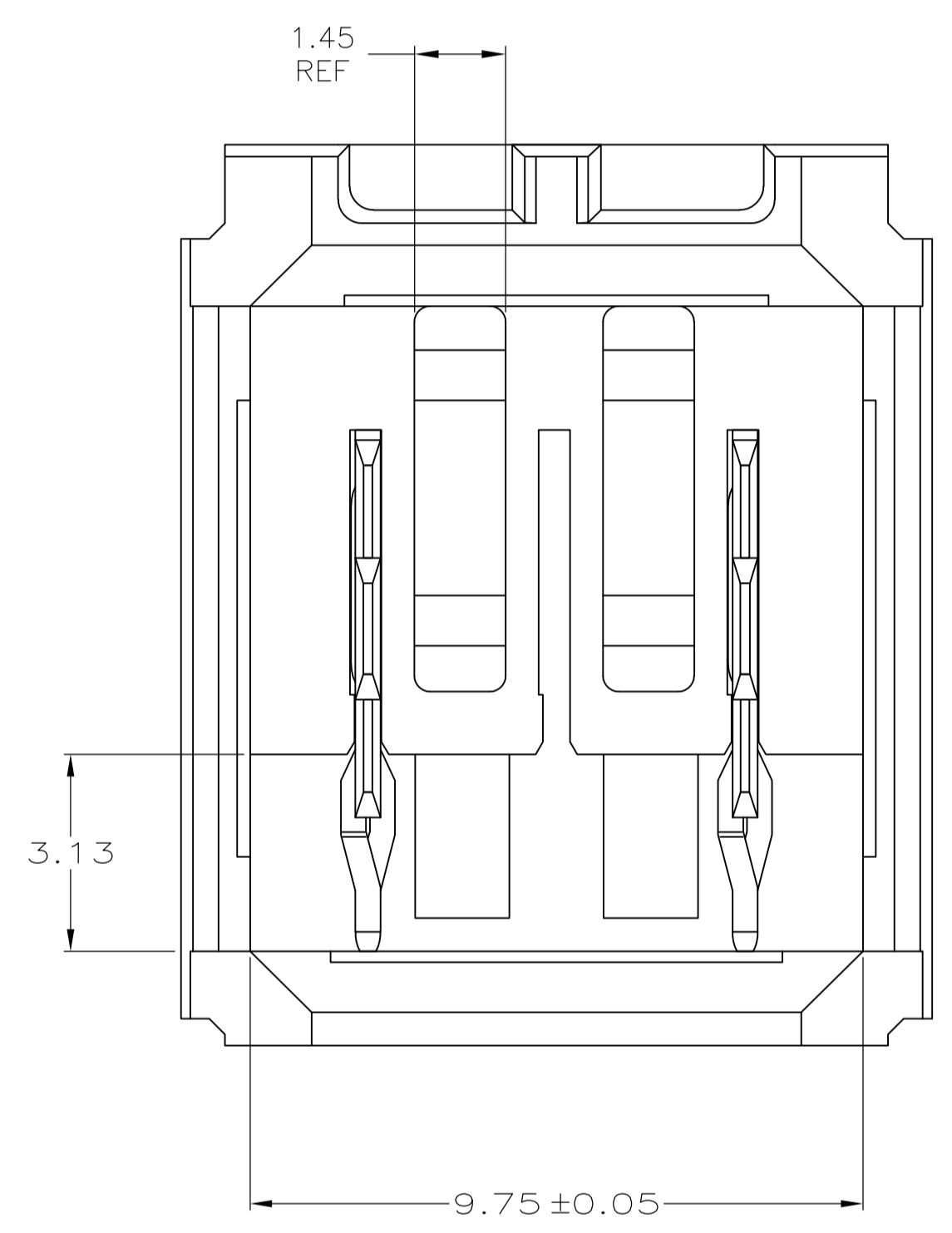


LOC		DIST		REVISIONS			
AD	00	REV	DATE	BY	APPV	DATE	BY
D		REVISED PER ECO-11-000045	05JAN11	DH	DY		



- 1 MATERIAL: HOUSING: POLYESTER, COLOR: GRAY. CONTACT: PHOSPHOR BRONZE.
- 2 FINISH: CONTACT MATING AREA: 1.27μm MIN GOLD TO 1.27μm MIN GOLD OR 0.08μm MIN GOLD OVER 0.76μm MIN PALLADIUM-NICKEL. ACTION PIN AREA: 0.5μm MIN TIN PLATE, ALL OVER 1.27μm MIN NICKEL UNDERPLATE.
- 3 FINISH: CONTACT LUBRICATION WITH BELLCORE APPROVED LUBRICANT. TECHNICAL REFERENCE: TR-NWT-001217 ISSUE 1, SEPT 1992.
- 4 REFERENCE APPLICATION SPEC 114-1103 FOR RECOMMENDED PLATED THRU HOLE DIAMETER AND PLATING THICKNESS.



SECTION W-W
SCALE 40:1

5223975-1
PART NUMBER

THIS DRAWING IS A CONTROLLED DOCUMENT.		DWG: B. CARDO 130EC04	Tyco Electronics Corporation Harrisburg, PA 17105-3608	
DIMENSIONS: mm		CHK: R. PATTERSON 130EC04	NAME: R. PATTERSON 130EC04	
TOLERANCES UNLESS OTHERWISE SPECIFIED:		PRODUCT SPEC: ASSEMBLY, RIGHT ANGLE HEADER, W/ RETENTION PEGS, UNIVERSAL POWER MODULE		
0. PLC ± -		APPLICATION SPEC: -		
1. PLC ± -		SIZE: A1		
2. PLC ± 0.13		CAGE CODE: 00779		
3. PLC ± -		DRAWING NO: 5223975		
4. PLC ± -		REV: -		
ANGLES ± -		CUSTOMER DRAWING		
MATERIAL: 1		SCALE: 10:1		
FINISH: 2, 3		SHEET: 1 of 1		
		REV: D		

RECOMMENDED PCB HOLE LAYOUT