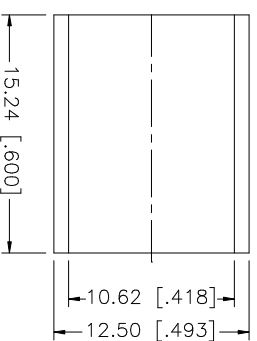
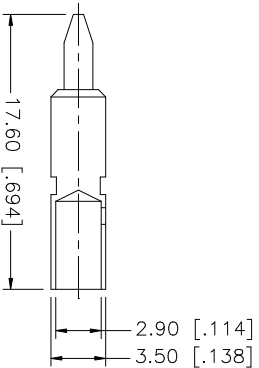
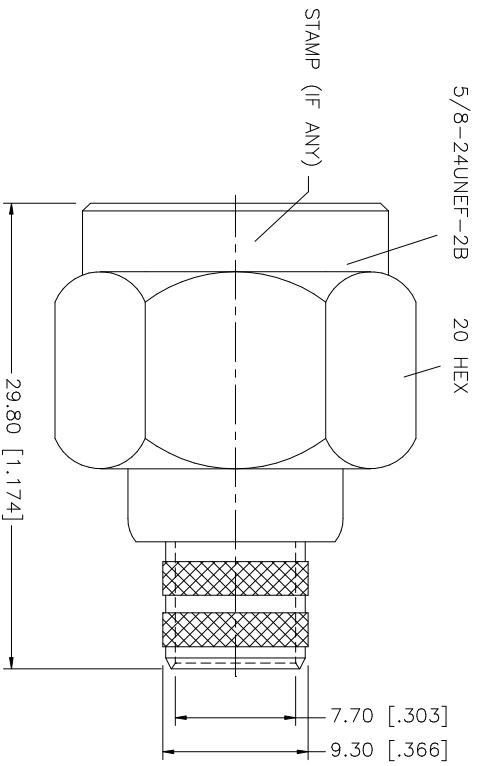
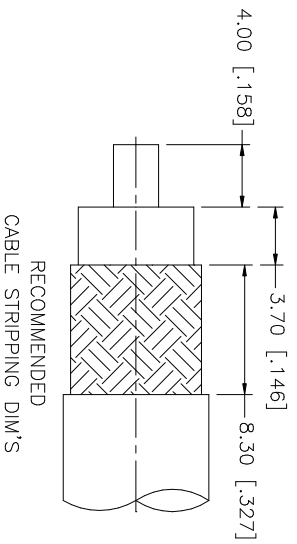


REV.	DATE	DESCRIPTION
A	04/13/03	UPDATE DRAWING FORMAT
B	02/23/06	MODIFY FERRULE DIAMETERS



- CRIMP NOTES:
1. CRIMPED FERRULE
HEX CRIMP SIZE .429"
 2. CRIMPED CONTACT PIN
HEX CRIMP SIZE .118"

Amphenol Connex

N CRIMP PLUG, HEX NUT
(FOR B9913, 9914 LMR400 CABLE)

QTY	DESCRIPTION	MATERIAL	FINISH	UNLESS OTHERWISE SPECIFIED DIMENSIONS ARE IN MILLIMETERS DIMENSIONS IN [] ARE IN INCHES AND FOR CUSTOMER REFERENCE ONLY.	UNLESS OTHERWISE SPECIFIED TOLERANCES FOR MILLIMETERS ARE:	UNLESS OTHERWISE SPECIFIED TOLERANCES FOR INCHES ARE:	APPROVALS	DATE	PART DESCRIPTION	PART NO.	DWG. NO.	REV.	SIZE	SCALE
1	FERRULE	COPPER	NEKOCOTE		0.5 - 8mm ± 0.20mm	.020 - .315 = ± 0.007"	CAD FILE			172102H243NX-10	172102H243NX-10.DWG	B	A	NA
1	CONTACT PIN	BRASS	GOLD		8 - 30mm ± 0.40mm	.315 - 1.180 = ± 0.015"	DRAWN	G.R.S.	02/23/06					
1	INSULATOR	TEFLON	NATURAL		30 - 120mm ± 0.50mm	1.180 - 4.724 = ± 0.020"	CHECKED							
1	BODY	BRASS	NEKOCOTE				ISSUED							
							SHEET	1 OF 1						