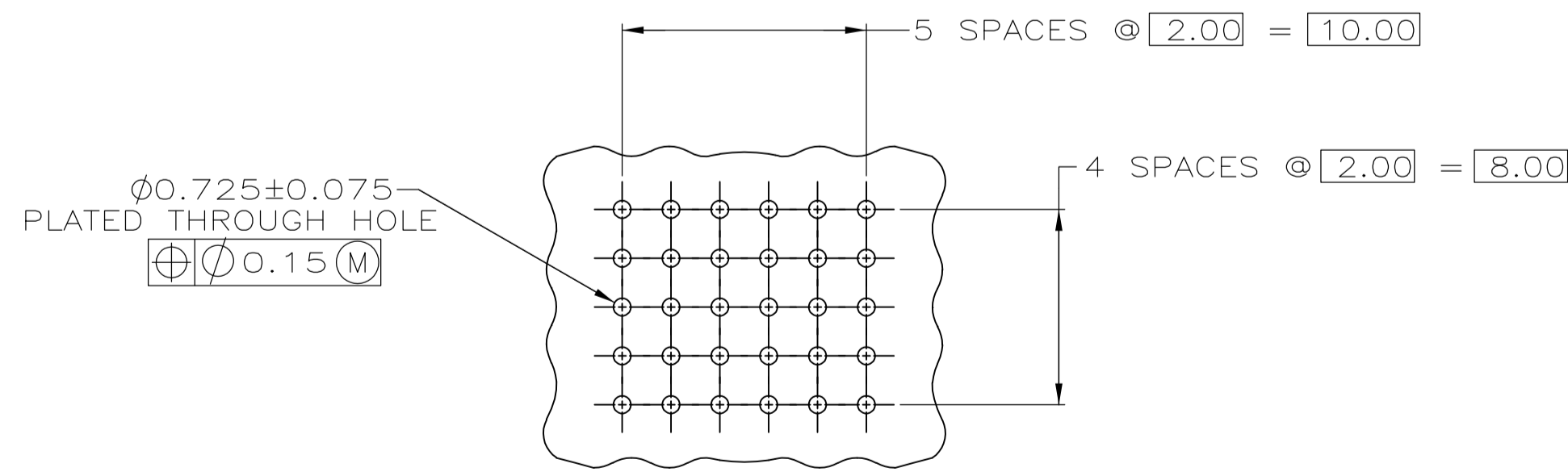
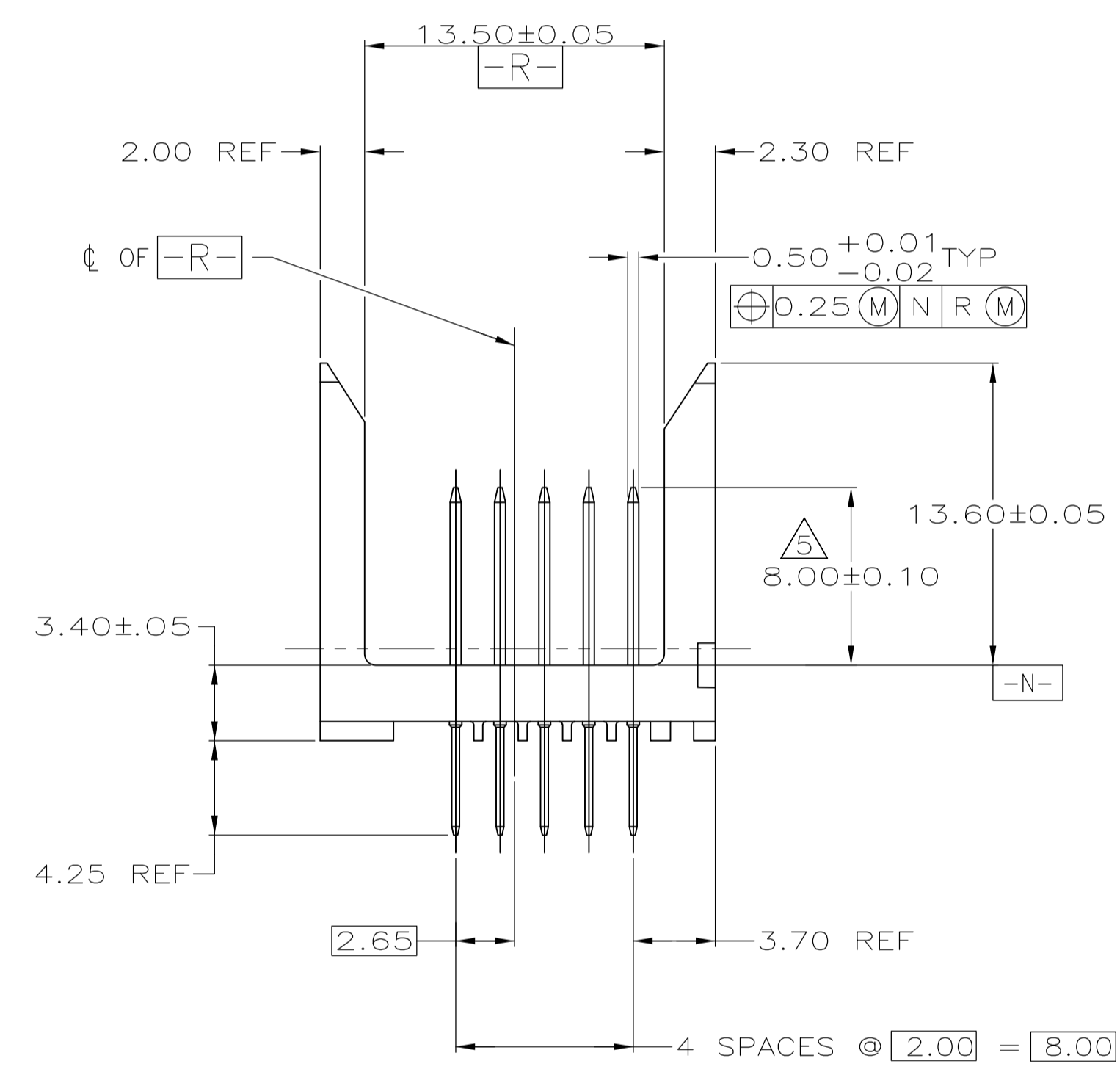
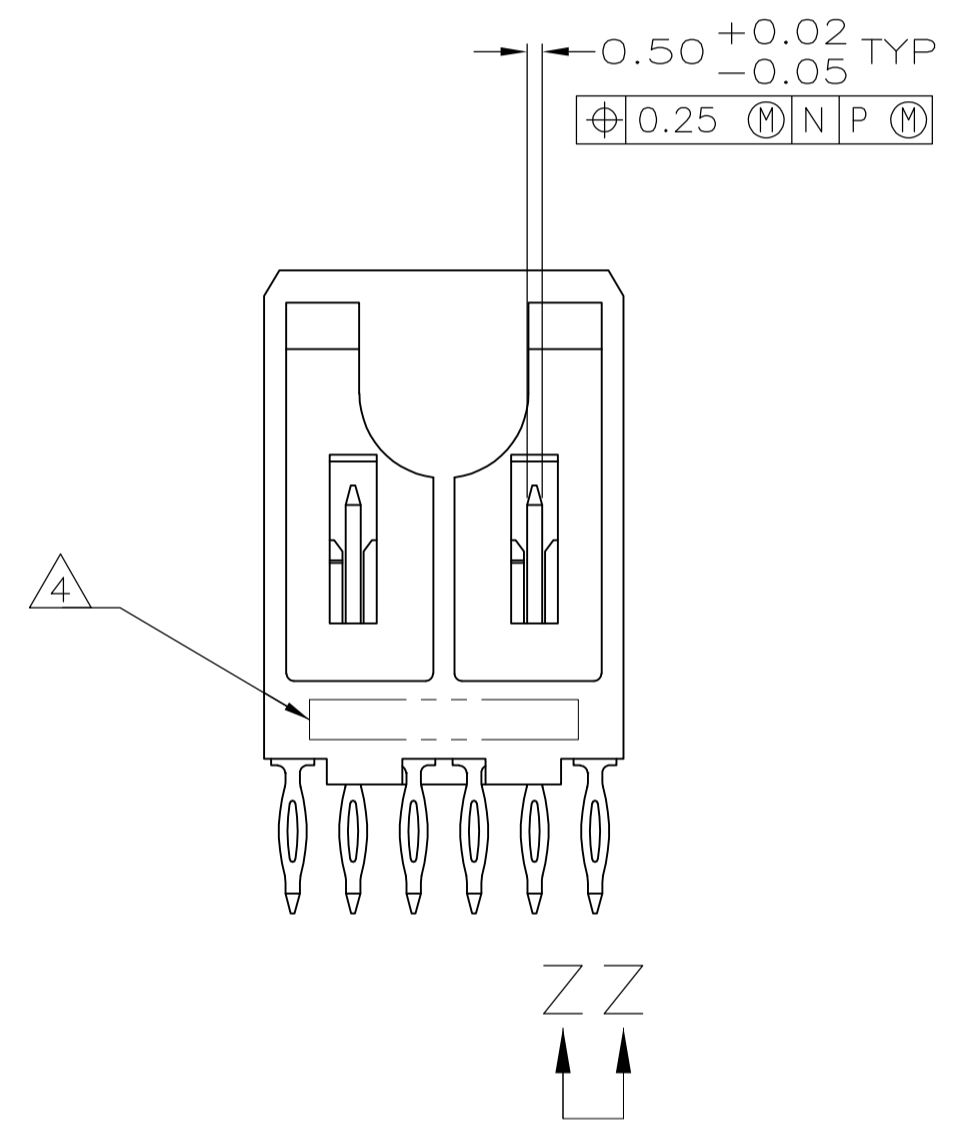
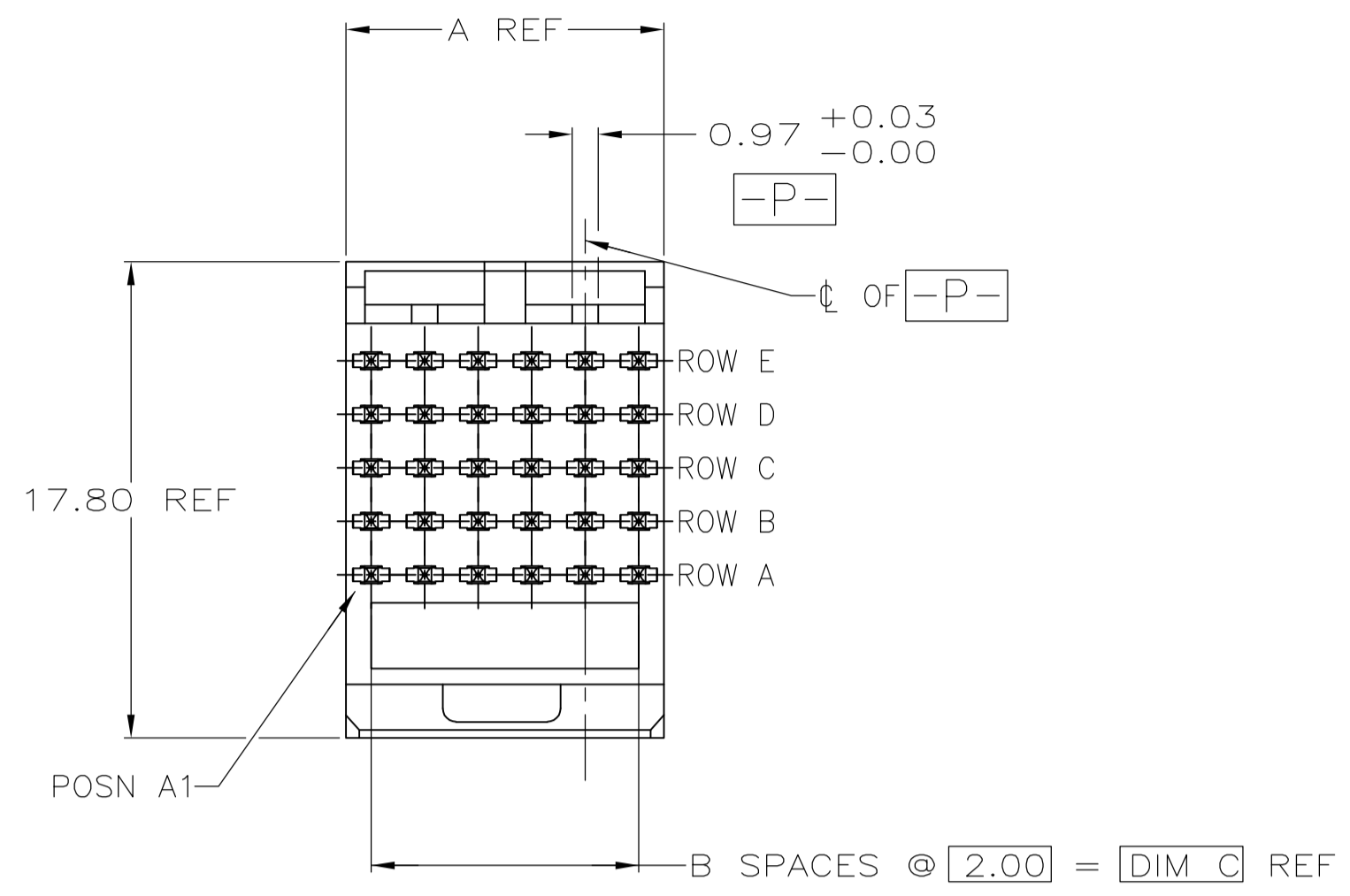
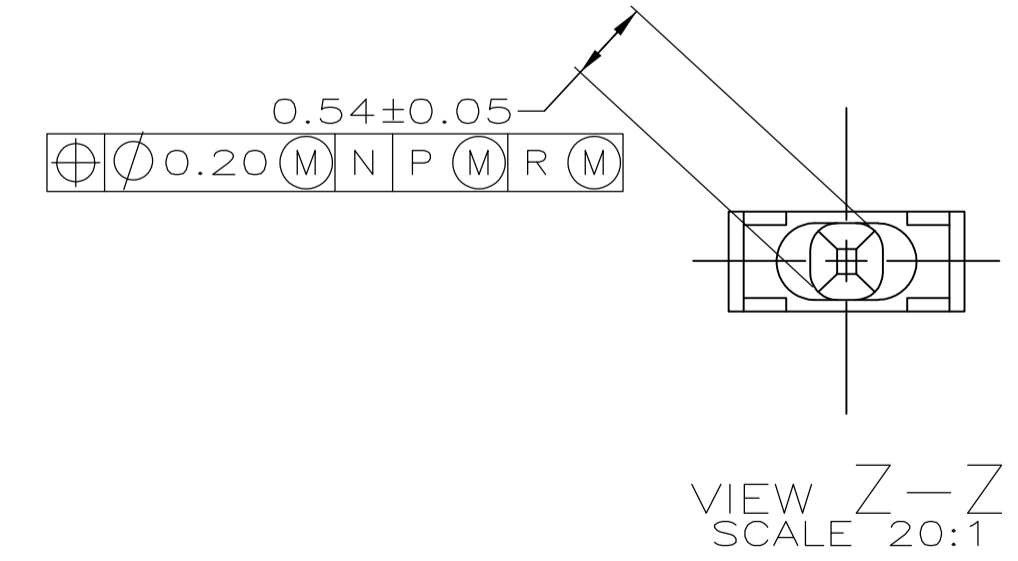


LOC		DIST		REVISIONS				
AD	00	REV	DATE	BY	CHK	APP		
0		RELEASED PER EC 0512-0317-04	22NOV04	BM	RW			
01		REVISED PER ECO-09-024606	29OCT09	KK	AEG			



RECOMMENDED CIRCUIT PATTERN
(COMPONENT SIDE)



VIEW Z-Z
SCALE 20:1

- △ HOUSING MATERIAL: LIQUID CRYSTAL POLYMER. COLOR: NATURAL.
- △ CONTACT MATERIAL: PHOSPHOR BRONZE.
- △ CONTACT FINISH:(B)
 UNDERPLATE (ENTIRE CONTACT):
 0.00127 MIN NICKEL PER SAE-AMS-QQ-N-290
 ON MATING SURFACES:
 CONFORMS TO ALL TESTING SPECIFIED FOR TELCORDIA UNCONTROLLED ENVIRONMENT.
 ON LEADS:
 0.0006 MIN MATTE TIN PER ASTM B 545 OVER UNDERPLATE.
 LUBRICATION (MIN MATING SURFACES):
 SURFACE CONDITIONER AFTER PLATING.
- △ PART MARKING LOCATED APPROXIMATELY AS SHOWN.
- △ DIMENSION APPLIES WHEN SEATED ON PRINTED CIRCUIT BOARD.
- △ OBSOLETE PARTS: OBSOLETE CIS STREAMLINING PER D.RENAUD/D.SINISI

OBSOLETE	94	47	95.88	240	223018-8
	46	23	47.88	120	223018-4
	22	11	23.88	60	223018-2
	10	5	11.88	30	223018-1
	C	B	A	NO OF SIGNAL POSN	PART NUMBER

THIS DRAWING IS A CONTROLLED DOCUMENT.

DIMENSIONS:	TOLERANCES UNLESS OTHERWISE SPECIFIED:	0 PLC ± -	1 PLC ± -	2 PLC ± 0.13	3 PLC ± -	4 PLC ± -	ANGLES ± -
1	2	3	MATERIAL				
FINISH		WEIGHT					
CUSTOMER DRAWING		SCALE 4:1	SHEET 1 OF 1	REV 01	RESTRICTED TO		

Tyco Electronics Corporation
 Harrisburg, Pa 17105-3608
 NAME: PIN ASSEMBLY,Z-PACK 2mm FB, SIGNAL,VERTICAL,5 ROW,30 POSITION, WITH PRESS FIT LEADS
 SIZE: A1 00779 C=5223018
 DRAWING NO: 22NOV04
 PRODUCT SPEC: R.WERTZ
 APPLICATION SPEC: R.WERTZ
 DATE: 22NOV04