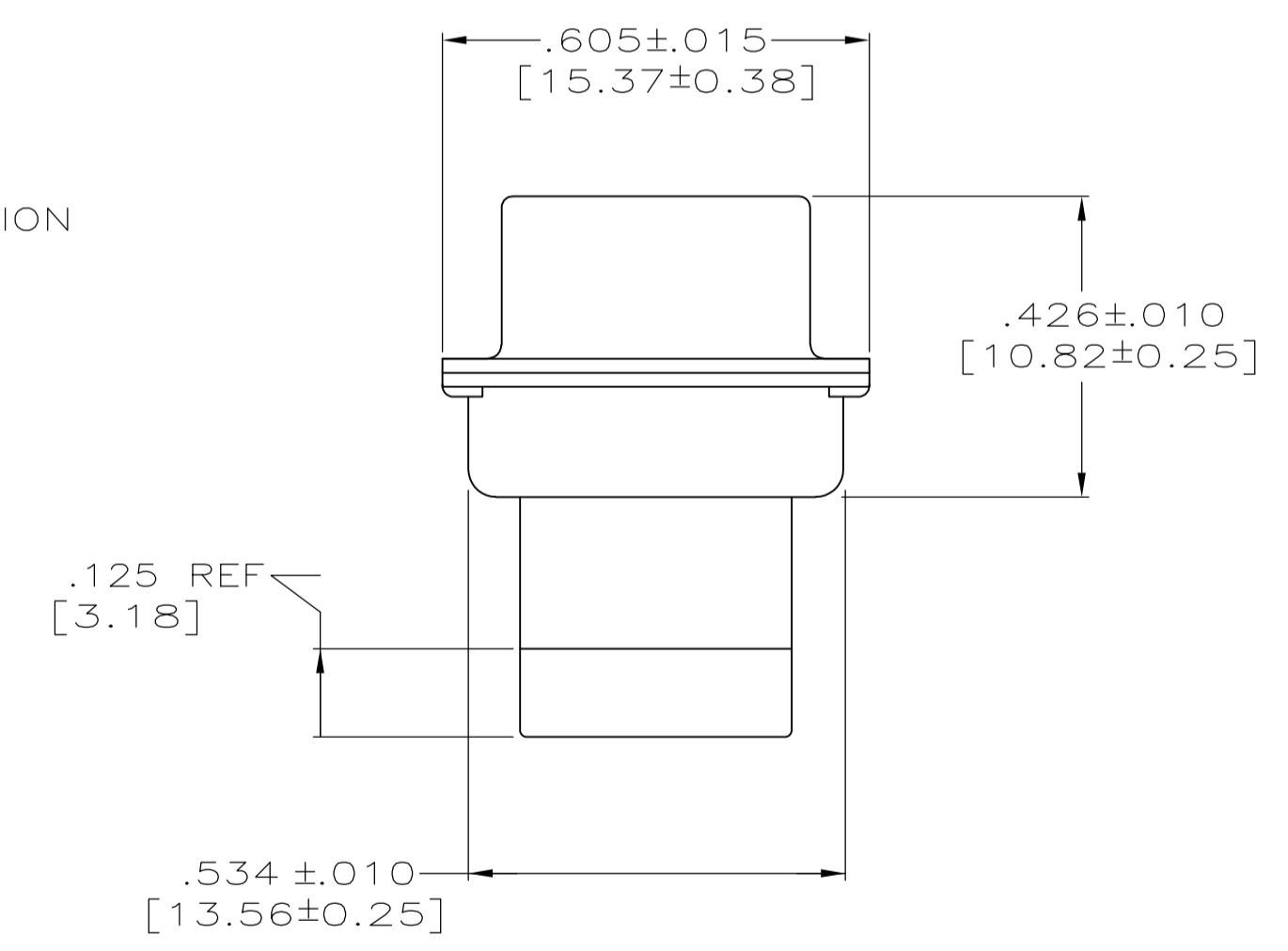
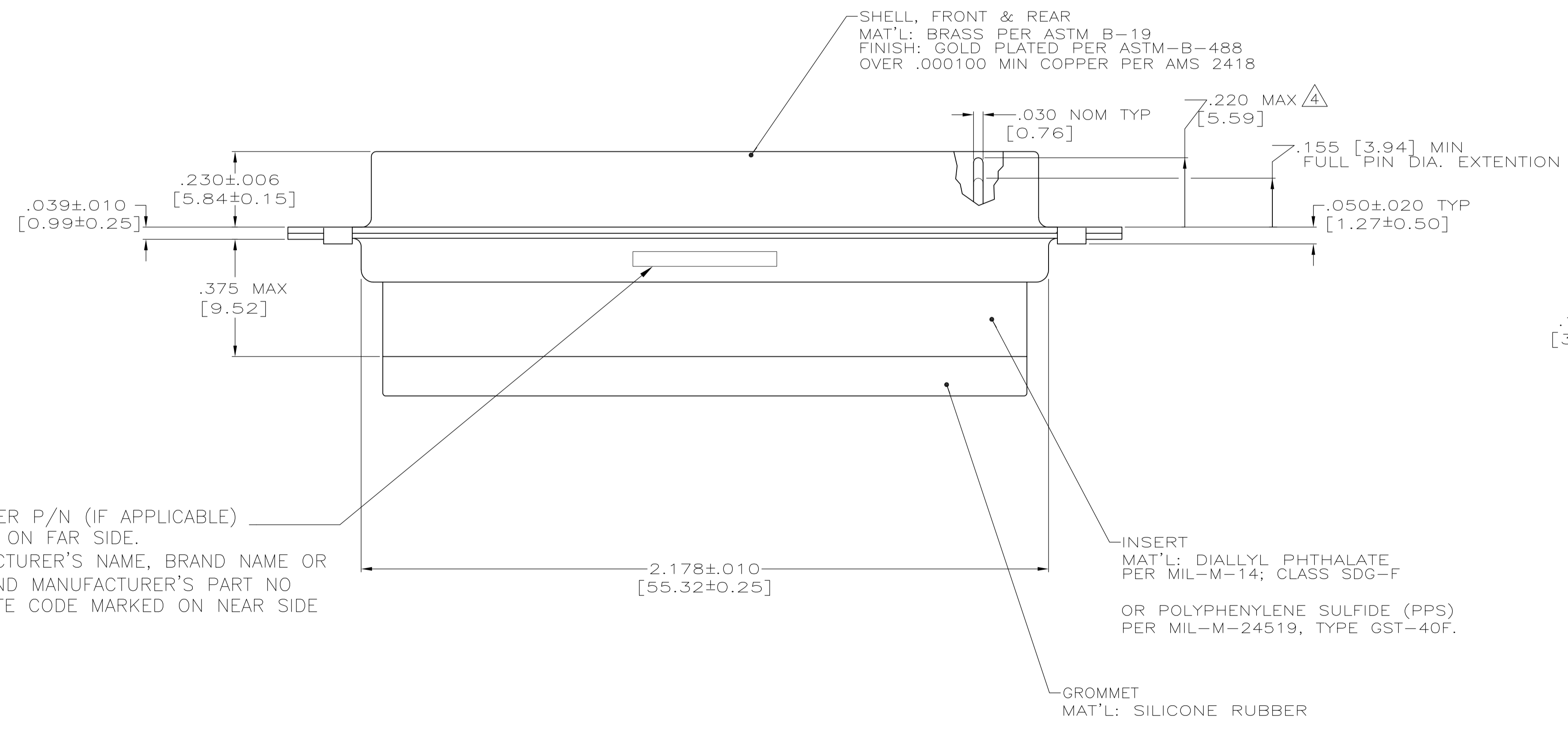
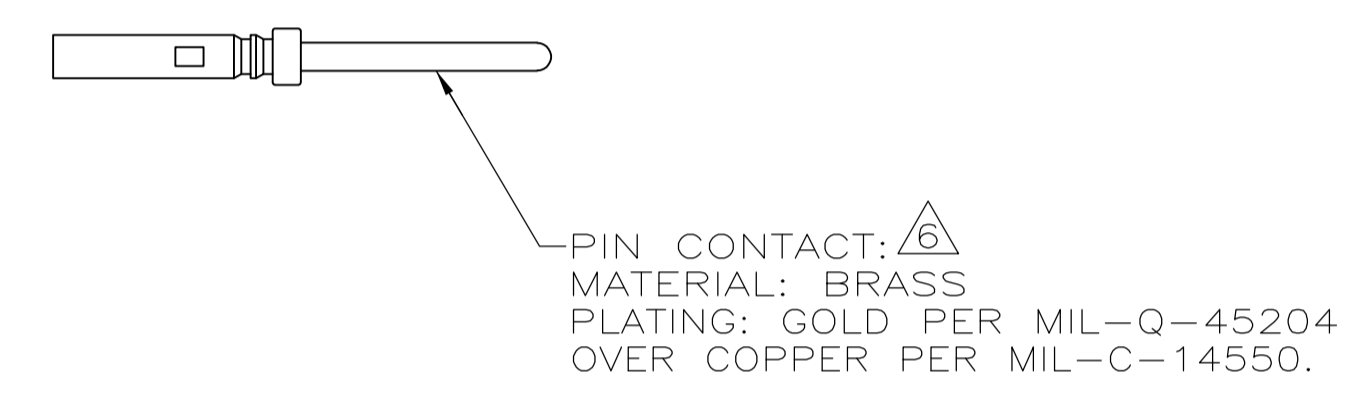
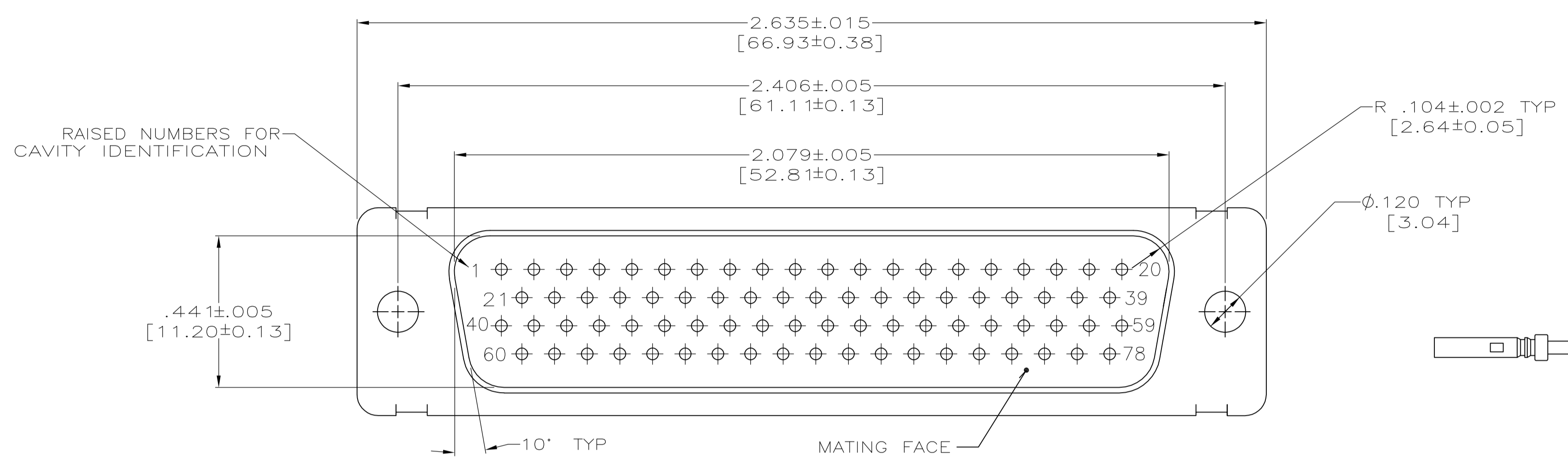


- THIS PLUG WILL MATE WITH ANY SIZE 5, 78 POSN. RECEPTACLE IN AMPLIMITE SERIES.
- OVERALL DIMENSIONS DO NOT INCLUDE RAISED CAVITY IDENTIFICATION.
- BE-CU RETENTION CLIPS ARE INCLUDED IN INSERT AND INSTALLED WITH TINES POINTING TOWARDS MATING FACE.
- CONNECTOR SUPPLIED WITHOUT CONTACTS. SHOWN FOR ILLUSTRATION ONLY.
- MARKING ON FAR SIDE REFERS TO WIDE SIDE OF KEYSTONE. NEAR SIDE REFERS TO NARROW SIDE OF KEYSTONE.
- PIN CONTACTS INCLUDED IN KIT 211677-7.
- 100% INSPECTION REQUIRED PER BOEING 1B01:
  - VISUAL
  - DWV
  - IR
- CUSTOMER REQUIRES SINGLE LOT DATE CODE.
- SPECIAL REQUIREMENTS:
  - TEST TWO CONNECTORS PER LOT FOR COMPLIANCE TO GROMMET PEEL STRENGTH REQUIREMENTS.
  - TEST ALL CIRCUIT CAVITIES FOR MISALIGNMENT OR EXCESSIVE ADHESIVE.



CUSTOMER P/N (IF APPLICABLE) MARKED ON FAR SIDE. MANUFACTURER'S NAME, BRAND NAME OR LOGO AND MANUFACTURER'S PART NO AND DATE CODE MARKED ON NEAR SIDE

8	4	1B01-035PHW	1-211677-1
6		B010648-0009	211677-7
4		-	211677-4
8	4	2A065-017V-001	211677-2
4	4	1B01-035	211677-1
REMARKS		CUSTOMER PART NO.	PART NO.

THIS DRAWING IS A CONTROLLED DOCUMENT.

DWN	A.J. GRAFF	2/23/93	Tyco Electronics Corporation Harrisburg, PA 17105-3608
CHK	D.B. MUMMEY	2/24/93	
APVD	D.B. MUMMEY	2/24/93	
DIMENSIONS:	TOLERANCES UNLESS OTHERWISE SPECIFIED:	PRODUCT SPEC	NAME
INCHES		APPLICATION SPEC	PLUG ASS'Y, AMPLIMITE, 78 POSN., SIZE 5, SERIES 90, NON-MAGNETIC WITH GROMMET
0 PLC ± -	1 PLC ± -	SIZE	CAGE CODE
2 PLC ± -	3 PLC ± .005 [0.13]	WEIGHT	DRAWING NO
4 PLC ± -	ANGLES ± 0'30"	CUSTOMER DRAWING	RESTRICTED TO
MATERIAL SEE CALLOUTS	FINISH SEE CALLOUTS	SCALE 4:1	SHEET 1 OF 1
			REV K