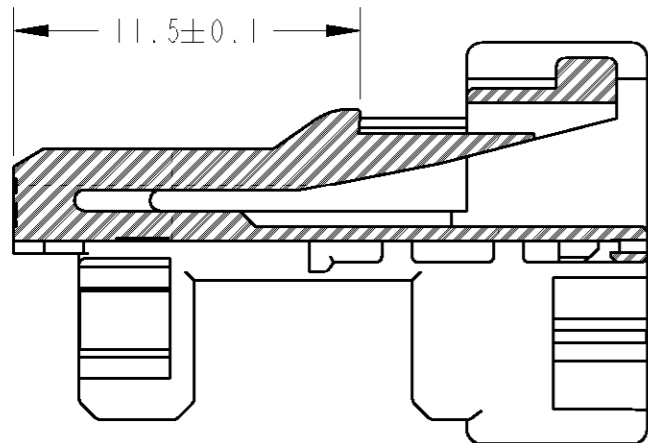
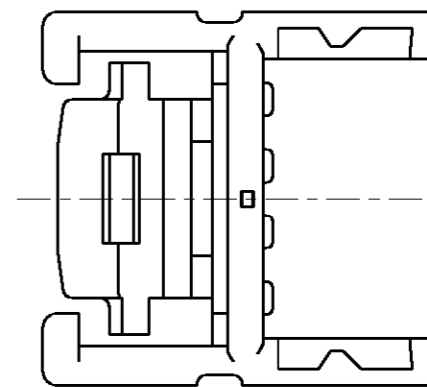
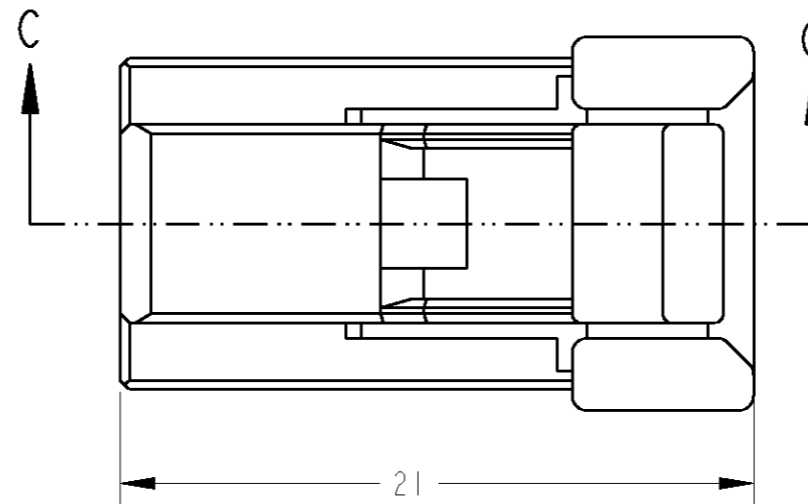
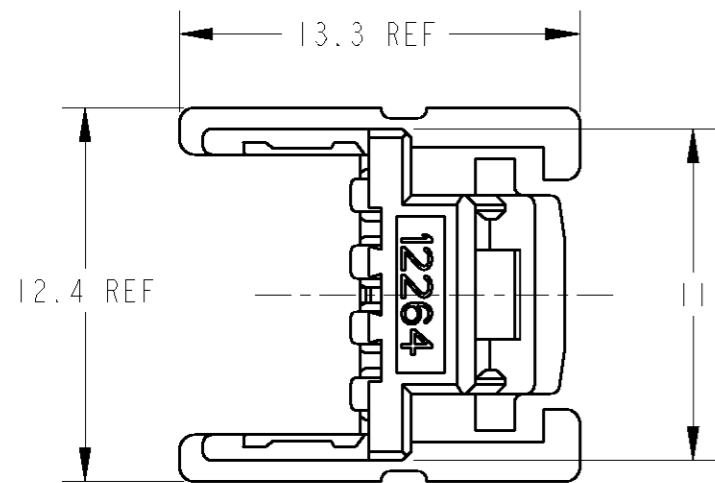
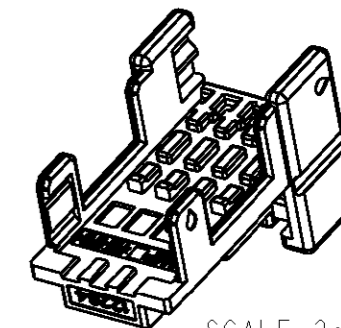
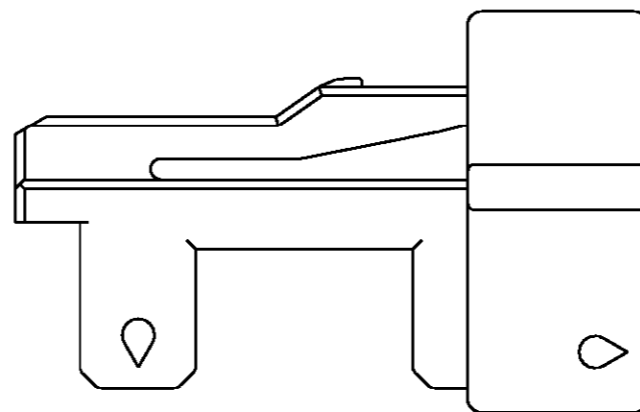


THIS DRAWING IS UNPUBLISHED. RELEASED FOR PUBLICATION 20  
 © COPYRIGHT 20 BY TYCO ELECTRONICS CORPORATION. ALL RIGHTS RESERVED.

LOC	DIST	REVISIONS						
		P	LTR	DESCRIPTION	ECN	DATE	DWN	APVD
J		0		RELEASED	FJ00-2067-01	100CT2001	SA	NS



C-C



SCALE 2:1

1. 本品はプラグハウジング型番 1473800を装着して使用する。
2. 取扱説明書; 411-5912
3. 嵌合相手型番; 1473793, 1376350

1. PLUG HOUSING MUST BE USED WITH PLUG HOUSING P/N:1473800
2. INSTRUCTION SHEET No;411-5912
3. PART NUMBER OF HOUSINGS TO BE MATED ;1473793, 1376350

NATURAL	1473802-1
HOUSING COLOR	PART NUMBER

THIS DRAWING IS A CONTROLLED DOCUMENT FOR TYCO ELECTRONICS CORPORATION IT IS SUBJECT TO CHANGE AND THE CONTROLLING ENGINEERING ORGANIZATION SHOULD BE CONTACTED FOR THE LATEST REVISION.		DWN S. AMEMIYA	100CT2001	<b>AMP</b> Tyco Electronics AMP K.K. Kawasaki, Japan
DIMENSIONS: 単位: 毫 mm		CHK N. SAI	100CT2001	
TOLERANCES UNLESS OTHERWISE SPECIFIED: 一般公差; ±0.3		APVD N. SAI	100CT2001	NAME 名称 8POSITION LOCK HOUSING 025 IDC CONNECTOR
0-PLC ± 1-PLC ±0.1 2-PLC ±0.01 3-PLC ±0.001 4-PLC ±0.0001 ANGLES ±3'00"		PRODUCT SPEC 製品規格 108-5660	APPLICATION SPEC 取付適用規格 114-5276	
MATERIAL 材料 PBT	FINISH 仕上 SEE TABLE	WEIGHT 1 g	SIZE A3	CAGE CODE 00779
CUSTOMER DRAWING			DRAWING NO 番号 1473802	RESTRICTED TO
			SCALE 尺度 4:1	SHEET OF 1
				REV 0