

## CMOS Low Voltage Photoelectric Smoke Detector ASIC with Interconnect and Timer Mode

### Features

- Two AA Battery Operation
- Internal Power On Reset
- Low Quiescent Current Consumption
- Available in 16L N SOIC
- Local Alarm Memory
- Interconnect up to 40 Detectors
- 9 Minute Timer for Sensitivity Control
- Temporal or Continuous Horn Pattern
- Internal Low Battery and Chamber Test
- All Internal Oscillator
- Internal Infrared Emitter Diode (IRED) driver
- Adjustable IRED Drive current
- Adjustable Hush Sensitivity
- 2% Low Battery Set Point

### Description

The RE46C190 is a low power, low voltage CMOS photoelectric type smoke detector IC. With minimal external components, this circuit will provide all the required features for a photoelectric-type smoke detector.

The design incorporates a gain-selectable photo amplifier for use with an infrared emitter/detector pair.

An internal oscillator strobes power to the smoke detection circuitry every 10 seconds, to keep the standby current to a minimum. If smoke is sensed, the detection rate is increased to verify an Alarm condition. A high gain mode is available for push button chamber testing.

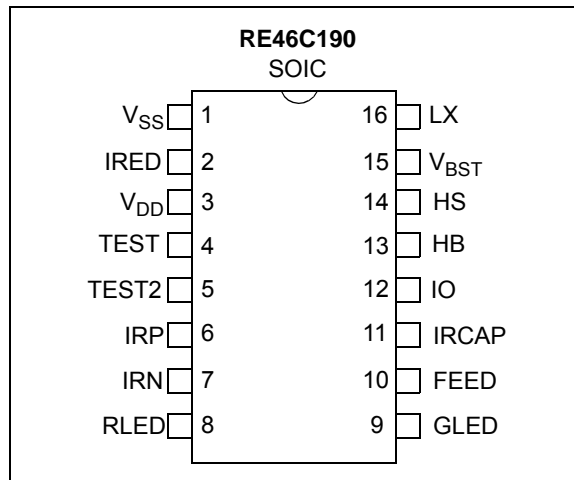
A check for a low battery condition is performed every 86 seconds, and chamber integrity is tested once every 43 seconds, when in Standby. The temporal horn pattern supports the NFPA 72 emergency evacuation signal.

An interconnect pin allows multiple detectors to be connected such that, when one unit alarms, all units will sound.

An internal 9 minute timer can be used for a Reduced Sensitivity mode.

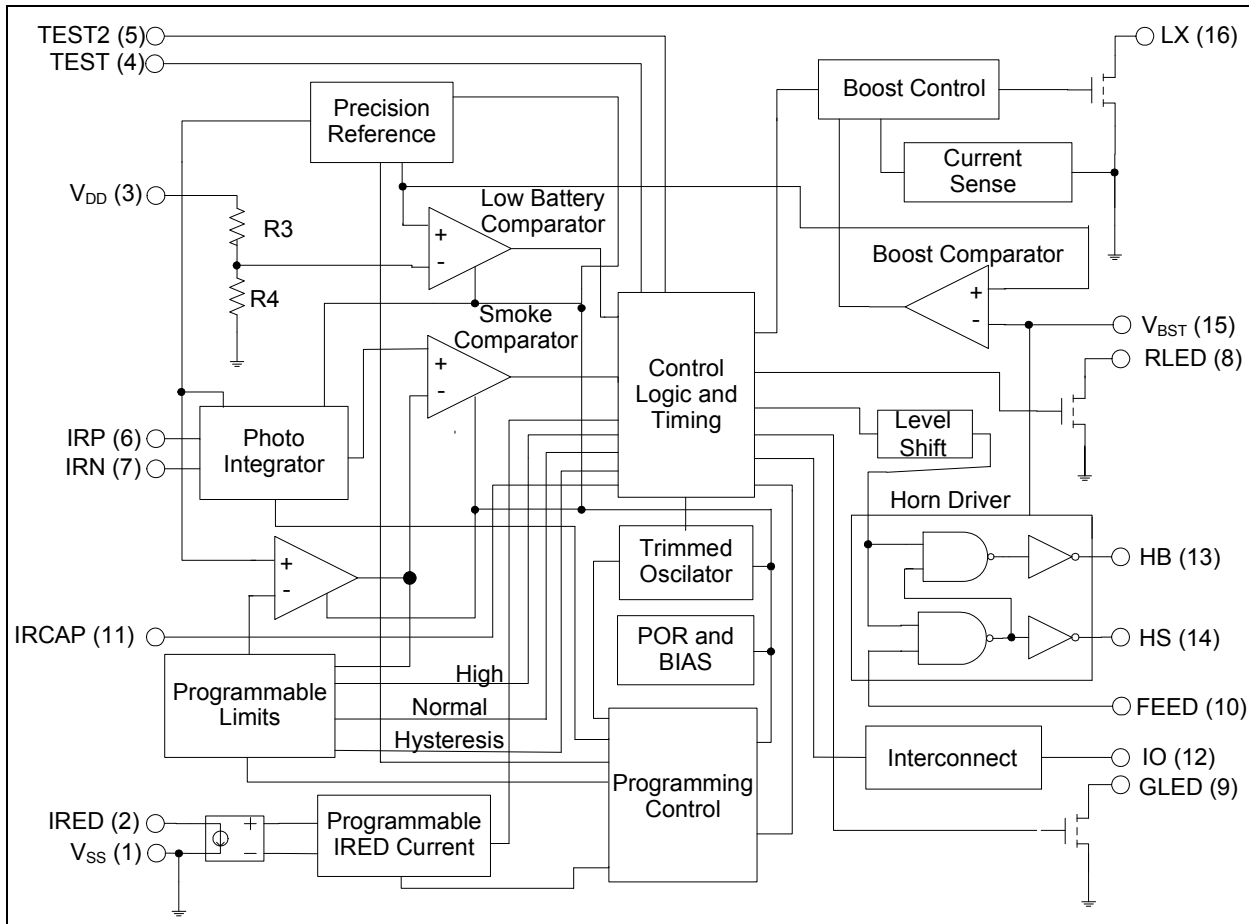
Utilizing low power CMOS technology, the RE46C190 was designed for use in smoke detectors that comply with Underwriters Laboratory Specification UL217 and UL268.

### PIN CONFIGURATION

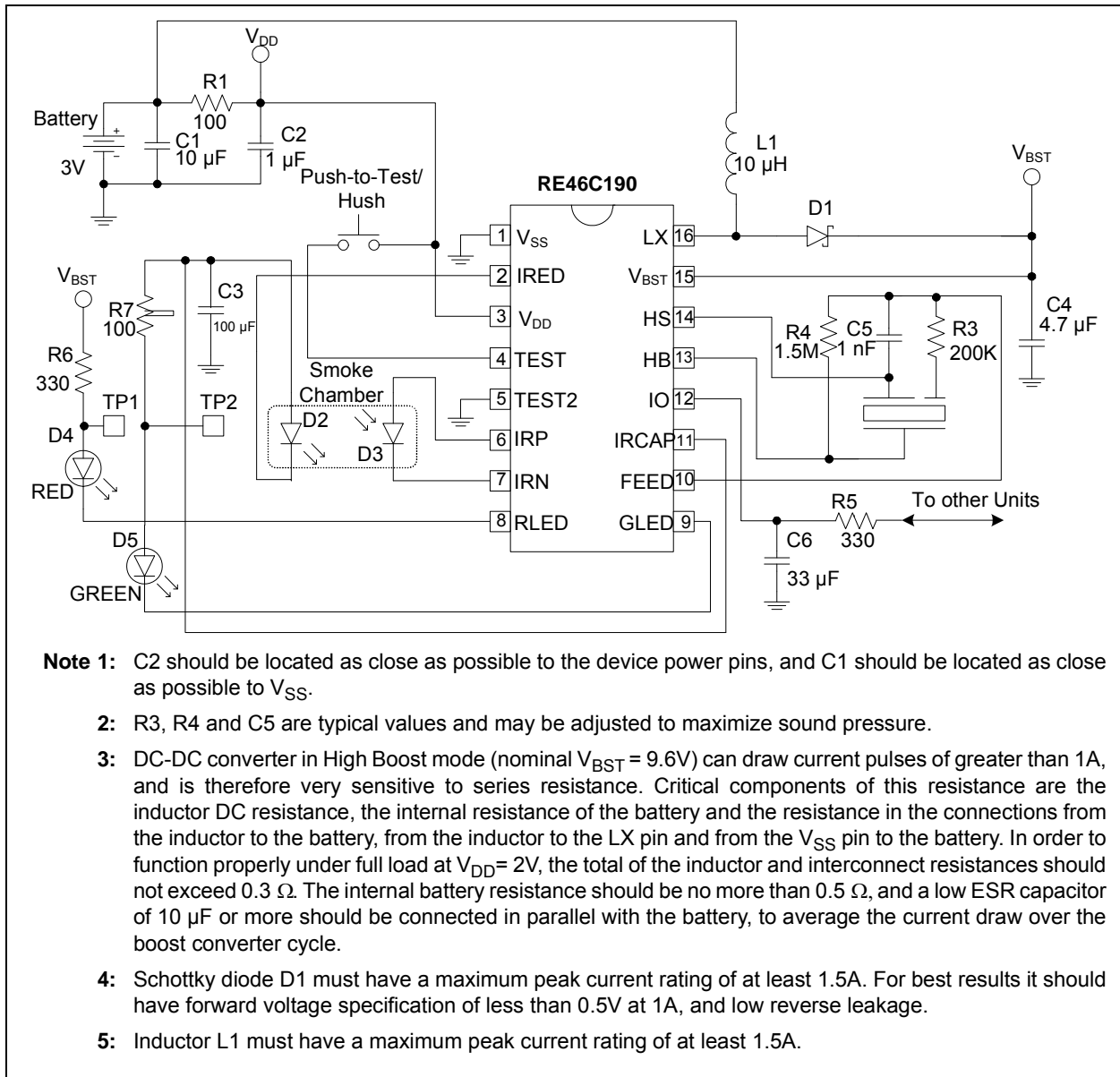


# RE46C190

## TYPICAL BLOCK DIAGRAM



## TYPICAL BATTERY APPLICATION



# RE46C190

---

NOTES:

## 1.0 ELECTRICAL CHARACTERISTICS

### Absolute Maximum Ratings†

Supply Voltage .....  $V_{DD}=5.5V$ ;  $V_{BST}=13V$   
 Input Voltage Range Except FEED, TEST.....  $V_{IN} = -3V$  to  $V_{DD} +3V$   
 FEED Input Voltage Range .....  $V_{INFD} = -10$  to  $+22V$   
 TEST Input Voltage Range .....  $V_{INTEST} = -3V$  to  $V_{BST}+3V$   
 Input Current except FEED.....  $I_{IN} = 10$  mA  
 Continuous Operating Current (HS, HB,  $V_{BST}$ ).....  $I_O = 40$  mA  
 Continuous Operating Current (IRED) .....  $I_{OIR} = 300$  mA  
 Operating Temperature .....  $T_A = -10$  to  $+60^\circ C$   
 Storage Temperature .....  $T_{STG} = -55$  to  $+125^\circ C$   
 ESD Human Body Model .....  $V_{HBM} = 750V$   
 ESD Machine Model .....  $V_{MM} = 75V$

† **Notice:** Stresses above those listed under “Maximum ratings” may cause permanent damage to the device. This is a stress rating only and functional operation of the device at these or any other conditions above those indicated in the operation listings of this specification is not implied. Exposure to maximum rating conditions for extended periods may affect device reliability.

### DC ELECTRICAL CHARACTERISTICS

**DC Electrical Characteristics:** Unless otherwise indicated, all parameters apply at  $T_A = -10$  to  $+60^\circ C$ ,  $V_{DD} = 3V$ ,  $V_{BST} = 4.2V$ , Typical Application (unless otherwise noted)([Note 1](#), [Note 2](#), [Note 3](#))

Parameter	Symbol	Test Pin	Min	Typ	Max	Units	Conditions
Supply Voltage	$V_{DD}$	3	2	—	5.0	V	Operating
Supply Current	$I_{DD1}$	3	—	1	2	$\mu A$	Standby, Inputs low, No loads, Boost Off, No smoke check
Standby Boost Current	$I_{BST1}$	15	—	100	—	nA	Standby, Inputs low, No loads, Boost Off, No smoke check
IRCAP Supply Current	$I_{IRCAP}$	11	—	500	—	$\mu A$	During smoke check
Boost Voltage	$V_{BST1}$	15	3.0	3.6	4.2	V	IRCAP charging for Smoke Check, GLED operation $I_{OUT} = 40$ mA
	$V_{BST2}$	15	8.5	9.6	10.7	V	No local alarm, RLED Operation, $I_{OUT} = 40$ mA, IO as an input
Input Leakage	$I_{INOP}$	6	-200	—	200	$\mu A$	IRP = $V_{DD}$ or $V_{SS}$
		7	-200	—	200	$\mu A$	IRN = $V_{DD}$ or $V_{SS}$
	$I_{IHF}$	10	—	20	50	$\mu A$	FEED = 22V; $V_{BST} = 9V$
	$I_{ILF}$	10	-50	-15	—	$\mu A$	FEED = -10V; $V_{BST} = 10.7V$
Input Voltage Low	$V_{IL1}$	10	—	—	2.7	V	FEED, $V_{BST} = 9V$
	$V_{IL2}$	12	—	—	800	mV	No local alarm, IO as an input

**Note 1:** Wherever a specific  $V_{BST}$  value is listed under test conditions, the  $V_{BST}$  is forced externally with the inductor disconnected and the DC-DC converter NOT running.

- 2: Typical values are for design information only.
- 3: Limits over the specified temperature range are not production tested and are based on characterization data. Unless otherwise stated, production test is at room temperature with guardbanded limits.
- 4: Not production tested.

# RE46C190

## DC ELECTRICAL CHARACTERISTICS (CONTINUED)

**DC Electrical Characteristics:** Unless otherwise indicated, all parameters apply at  $T_A = -10$  to  $+60^\circ\text{C}$ ,  $V_{DD} = 3\text{V}$ ,  $V_{BST} = 4.2\text{V}$ , Typical Application (unless otherwise noted)([Note 1](#), [Note 2](#), [Note 3](#))

Parameter	Symbol	Test Pin	Min	Typ	Max	Units	Conditions
Input Voltage High	$V_{IH1}$	10	6.2	—	—	V	FEED; $V_{BST} = 9\text{V}$
	$V_{IH2}$	12	2.0	—	—	V	No local alarm, IO as an input
IO Hysteresis	$V_{HYST1}$	12	—	150	—	mV	
Input Pull Down Current	$I_{PD1}$	4, 5	0.25	—	10	$\mu\text{A}$	$V_{IN} = V_{DD}$
	$I_{PDIO1}$	12	20	—	80	$\mu\text{A}$	$V_{IN} = V_{DD}$
	$I_{PDIO2}$	12	—	—	140	$\mu\text{A}$	$V_{IN} = 15\text{V}$
Output Voltage Low	$V_{OL1}$	13, 14	—	—	1	V	$I_{OL} = 16\text{ mA}$ , $V_{BST} = 9\text{V}$
	$V_{OL2}$	8	—	—	300	mV	$I_{OL} = 10\text{ mA}$ , $V_{BST} = 9\text{V}$
	$V_{OL3}$	9	—	—	300	mV	$I_{OL} = 10\text{ mA}$ , $V_{BST} = 3.6\text{V}$
Output High Voltage	$V_{OH1}$	13, 14	8.5	—	—	V	$I_{OL} = 16\text{ mA}$ , $V_{BST} = 9\text{V}$
Output Current	$I_{IOH1}$	12	-4	-5	—	mA	Alarm, $V_{IO} = 3\text{V}$ or $V_{IO} = 0\text{V}$ , $V_{BST} = 9\text{V}$
	$I_{IODMP}$	12	5	30	—	mA	At Conclusion of Local Alarm or Test, $V_{IO}=1\text{V}$
	$I_{IRED50}$	2	45	50	55	mA	IRED on, $V_{IRED} = 1\text{V}$ , $V_{BST} = 5\text{V}$ , IRCAP = 5V, (50 mA option selected; $T_A = 27^\circ\text{C}$ )
	$I_{IRED100}$	2	90	100	110	mA	IRED on, $V_{IRED} = 1\text{V}$ , $V_{BST} = 5\text{V}$ , IRCAP = 5V, (100 mA option selected; $T_A = 27^\circ\text{C}$ )
	$I_{IRED150}$	2	135	150	165	mA	IRED on, $V_{IRED} = 1\text{V}$ , $V_{BST} = 5\text{V}$ , IRCAP = 5V, (150 mA option selected; $T_A = 27^\circ\text{C}$ )
	$I_{IRED2050}$	2	180	200	220	mA	IRED on, $V_{IRED} = 1\text{V}$ , $V_{BST} = 5\text{V}$ , IRCAP = 5V, (200 mA option selected; $T_A = 27^\circ\text{C}$ )
IRED Current Temperature Coefficient	$TC_{IRED}$		—	0.5	—	$\%/^\circ\text{C}$	$V_{BST} = 5\text{V}$ , IRCAP = 5V; <a href="#">Note 4</a>

- Note 1:** Wherever a specific  $V_{BST}$  value is listed under test conditions, the  $V_{BST}$  is forced externally with the inductor disconnected and the DC-DC converter NOT running.
- 2:** Typical values are for design information only.
- 3:** Limits over the specified temperature range are not production tested and are based on characterization data. Unless otherwise stated, production test is at room temperature with guardbanded limits.
- 4:** Not production tested.

## DC ELECTRICAL CHARACTERISTICS (CONTINUED)

**DC Electrical Characteristics:** Unless otherwise indicated, all parameters apply at  $T_A = -10$  to  $+60^\circ\text{C}$ ,  $V_{DD} = 3\text{V}$ ,  $V_{BST} = 4.2\text{V}$ , Typical Application (unless otherwise noted)([Note 1](#), [Note 2](#), [Note 3](#))

Parameter	Symbol	Test Pin	Min	Typ	Max	Units	Conditions
Low Battery Alarm Voltage	$V_{LB1}$	3	2.05	2.1	2.15	V	Falling Edge; 2.1V nominal selected
	$V_{LB2}$	3	2.15	2.2	2.25	V	Falling Edge; 2.2V nominal selected
	$V_{LB3}$	3	2.25	2.3	2.35	V	Falling Edge; 2.3V nominal selected
	$V_{LB4}$	3	2.35	2.4	2.45	V	Falling Edge; 2.4V nominal selected
	$V_{LB5}$	3	2.45	2.5	2.55	V	Falling Edge; 2.5V nominal selected
	$V_{LB6}$	3	2.55	2.6	2.65	V	Falling Edge; 2.6V nominal selected
	$V_{LB7}$	3	2.65	2.7	2.75	V	Falling Edge; 2.7V nominal selected
	$V_{LB8}$	3	2.75	2.8	2.85	V	Falling Edge; 2.8V nominal selected
Low Battery Hysteresis	$V_{LBHYST}$	3	—	100	—	mV	
IRCAP Turn On Voltage	$V_{TIR1}$	11	3.6	4.0	4.4	V	Falling edge; $V_{BST} = 5\text{V}$ ; $I_{OUT} = 20\text{ mA}$
IRCAP Turn Off Voltage	$V_{TIR2}$	11	4.0	4.4	4.8	V	Rising edge; $V_{BST} = 5\text{V}$ ; $I_{OUT} = 20\text{ mA}$

- Note 1:** Wherever a specific  $V_{BST}$  value is listed under test conditions, the  $V_{BST}$  is forced externally with the inductor disconnected and the DC-DC converter NOT running.
- 2:** Typical values are for design information only.
- 3:** Limits over the specified temperature range are not production tested and are based on characterization data. Unless otherwise stated, production test is at room temperature with guardbanded limits.
- 4:** Not production tested.

# RE46C190

## AC ELECTRICAL CHARACTERISTICS

AC Electrical Characteristics: Unless otherwise indicated, all parameters apply at $T_A = -10^\circ$ to $+60^\circ\text{C}$ , $V_{DD} = 3\text{V}$ , $V_{BST} = 4.2\text{V}$ , Typical Application (unless otherwise noted) ( <a href="#">Note 1</a> to <a href="#">Note 4</a> ).								
Parameter	Symbol	Test Pin	Min	Typ	Max	Units	Condition	
<b>Time Base</b>								
Internal Clock Period	$T_{PCLK}$		9.80	10.4	11.0	ms	PROGSET, IO = high	
<b>RLED Indicator</b>								
On Time	$T_{ON1}$	8	9.80	10.4	11.0	ms	Operating	
Standby Period	$T_{PLED1}$	8	320	344	368	s	Standby, no alarm	
Local Alarm Period	$T_{PLED2A}$	8	470	500	530	ms	Local alarm condition with temporal horn pattern	
	$T_{PLED2B}$	8	625	667	710	ms	Local alarm condition with continuous horn pattern	
Hush Timer Period	$T_{PLED4}$	8	10	10.7	11.4	s	Timer mode, no local alarm	
External Alarm Period	$T_{PLED0}$	8	LED IS NOT ON			s	Remote alarm only	
<b>GLED Indicator</b>								
Latched Alarm Period	$T_{PLED3}$	9	40	43	46	s	Latched Alarm Condition, LED enabled	
Latched Alarm Pulse Train (3x) Off Time	$T_{OFLED}$	9	1.25	1.33	1.41	s	Latched Alarm Condition, LED enabled	
Latched Alarm LED Enabled Duration	$T_{LALED}$	9	22.4	23.9	25.3	Hours	Latched Alarm Condition, LED enabled	
<b>Smoke Check</b>								
Smoke Test Period with Temporal Horn Pattern	$T_{PER0A}$	2	10	10.7	11.4	s	Standby, no alarm	
	$T_{PER1A}$	2	1.88	2.0	2.12	s	Standby, after one valid smoke sample	
	$T_{PER2A}$	2	0.94	1.0	1.06	s	Standby, after two consecutive valid smoke samples	
	$T_{PER3A}$	2	0.94	1.0	1.06	s	Local Alarm (three consecutive valid smoke samples)	
	$T_{PER4A}$	2		235	250	265	ms	Push button test, >1 chamber detections
				313	333	353	ms	Push button test, no chamber detections
$T_{PER5A}$	2	7.5	8.0	8.5	s	In remote alarm		

**Note 1:** See timing diagram for Horn Pattern ([Figure 5-2](#)).

**2:**  $T_{PCLK}$  and  $T_{IRON}$  are 100% production tested. All other AC parameters are verified by functional testing.

**3:** Typical values are for design information only.

**4:** Limits over the specified temperature range are not production tested, and are based on characterization data.



## AC ELECTRICAL CHARACTERISTICS (CONTINUED)

**AC Electrical Characteristics:** Unless otherwise indicated, all parameters apply at  $T_A = -10^\circ$  to  $+60^\circ\text{C}$ ,  $V_{DD} = 3\text{V}$ ,  $V_{BST} = 4.2\text{V}$ , Typical Application (unless otherwise noted) ([Note 1](#) to [Note 4](#)).

Parameter	Symbol	Test Pin	Min	Typ	Max	Units	Condition
Smoke Test Period with Continuous Horn Pattern	$T_{PER0B}$	2	10	10.7	11.4	s	Standby, no alarm
	$T_{PER1B}$	2	2.5	2.7	2.9	s	Standby, after one valid smoke sample
	$T_{PER2B}$	2	1.25	1.33	1.41	s	Standby, after two consecutive valid smoke samples
	$T_{PER3B}$	2	1.25	1.33	1.41	s	Local Alarm (three consecutive valid smoke samples)
	$T_{PER4B}$	2	313	333	353	ms	Push button test
	$T_{PER5B}$	2	10	10.7	11.4	s	In remote alarm
Chamber Test Period	$T_{PCT1}$	2	40	43	46	s	Standby, no alarm
Long Term Drift Sample Period	$T_{LTD}$	2	400	430	460	s	Standby, no alarm LTD enabled
<b>Low Battery</b>							
Low Battery Sample Period	$T_{PLB1}$	3	320	344	368	s	RLED on
	$T_{PLB2}$	3	80	86	92	s	RLED on
<b>Horn Operation</b>							
Low Battery Horn Period	$T_{HPER1}$	13	40	43	46	s	Low battery, no alarm
Chamber Fail Horn Period	$T_{HPER2}$	13	40	43	46	s	Chamber failure
Low Battery Horn On Time	$T_{HON1}$	13	9.8	10.4	11.0	ms	Low battery, no alarm
Chamber Fail Horn On Time	$T_{HON2}$	13	9.8	10.4	11.0	ms	Chamber failure
Chamber Fail Off Time	$T_{HOF1}$	13	305	325	345	ms	Failed chamber, no alarm, 3x chirp option
Alarm On Time with Temporal Horn Pattern	$T_{HON2A}$	13	470	500	530	ms	Local or remote alarm ( <a href="#">Note 1</a> )
Alarm Off Time with Temporal Horn Pattern	$T_{HOF2A}$	13	470	500	530	ms	Local or remote alarm ( <a href="#">Note 1</a> )
	$T_{HOF3A}$	13	1.4	1.5	1.6	s	Local or remote alarm ( <a href="#">Note 1</a> )
Alarm On Time with Continuous Horn Pattern	$T_{HON2B}$	13	235	250	265	ms	Local or remote alarm ( <a href="#">Note 1</a> )
Alarm Off Time with Continuous Horn Pattern	$T_{HOF2B}$	13	78	83	88	ms	Local or remote alarm ( <a href="#">Note 1</a> )

**Note 1:** See timing diagram for Horn Pattern ([Figure 5-2](#)).

- 2:  $T_{PCLK}$  and  $T_{IRON}$  are 100% production tested. All other AC parameters are verified by functional testing.
- 3: Typical values are for design information only.
- 4: Limits over the specified temperature range are not production tested, and are based on characterization data.

# RE46C190

## AC ELECTRICAL CHARACTERISTICS (CONTINUED)

**AC Electrical Characteristics:** Unless otherwise indicated, all parameters apply at  $T_A = -10^\circ$  to  $+60^\circ\text{C}$ ,  $V_{DD} = 3\text{V}$ ,  $V_{BST} = 4.2\text{V}$ , Typical Application (unless otherwise noted) ([Note 1](#) to [Note 4](#)).

Parameter	Symbol	Test Pin	Min	Typ	Max	Units	Condition
Push-to-Test Alarm Memory On Time	$T_{HON4}$	13	9.8	10.4	11.0	ms	Alarm memory active, push-to-test
Push-to-Test Alarm Memory Horn Period	$T_{HPER4}$	13	235	250	265	ms	Alarm memory active, push-to-test
<b>Interconnect Signal Operation (IO)</b>							
IO Active Delay	$T_{IODLY1}$	12	—	0	—	s	From start of local alarm to IO active
Remote Alarm Delay with Temporal Horn Pattern	$T_{IODLY2A}$	12	0.780	1.00	1.25	s	No local alarm, from IO active to alarm
Remote Alarm Delay with Continuous Horn Pattern	$T_{IODLY2B}$	12	380	572	785	ms	No local alarm, from IO active to alarm
IO Charge Dump Duration	$T_{IODMP}$	12	1.23	1.31	1.39	s	At conclusion of local alarm or test
IO Filter	$T_{IOFILT}$	12	—	—	313	ms	Standby, no alarm
<b>Hush Timer Operation</b>							
Hush Timer Period	$T_{TPER}$		8.0	8.6	9.1	Min	No alarm
<b>EOL</b>							
End-of-Life Age Sample	$T_{EOL}$		314	334	354	Hours	EOL Enabled; Standby
<b>Detection</b>							
IRED On Time	$T_{IRON}$	2	—	100	—	$\mu\text{s}$	Prog Bits 3,4 = 1,1
		2	—	200	—	$\mu\text{s}$	Prog Bits 3,4 = 0,1
		2	—	300	—	$\mu\text{s}$	Prog Bits 3,4 = 1,0
		2	—	400	—	$\mu\text{s}$	Prog Bits 3,4 = 0,0

- Note 1:** See timing diagram for Horn Pattern ([Figure 5-2](#)).
- 2:**  $T_{PCLK}$  and  $T_{IRON}$  are 100% production tested. All other AC parameters are verified by functional testing.
- 3:** Typical values are for design information only.
- 4:** Limits over the specified temperature range are not production tested, and are based on characterization data.

## TEMPERATURE CHARACTERISTICS

**Electrical Specifications:** All limits specified for  $V_{DD} = 3\text{V}$ ,  $V_{BST} = 4.2\text{V}$  and  $V_{SS} = 0\text{V}$ , Except where noted in the Electrical Characteristics.

Parameters	Sym	Min	Typ	Max	Units	Conditions
<b>Temperature Ranges</b>						
Operating Temperature Range	$T_A$	-10	—	+60	$^\circ\text{C}$	
Storage Temperature Range	$T_{STG}$	-55	—	+125	$^\circ\text{C}$	
<b>Thermal Package Resistances</b>						
Thermal Resistance, 16L-SOIC (150 mil.)	$\theta_{JA}$	—	86.1	—	$^\circ\text{C/W}$	

## 2.0 PIN DESCRIPTIONS

The descriptions of the pins are listed in [Table 2-1](#).

**TABLE 2-1: PIN FUNCTION TABLE**

RE46C190 SOIC	Symbol	Function
1	V <sub>SS</sub>	Connect to the negative supply voltage.
2	IRED	Provides a regulated and programmable pulsed current for the infrared emitter diode.
3	V <sub>DD</sub>	Connect to the positive supply or battery voltage.
4	TEST	This input is used to invoke Test modes and the Timer mode. This input has an internal pull-down.
5	TEST2	Test input for test and programming modes. This input has an internal pull-down.
6	IRP	Connect to the anode of the photo diode.
7	IRN	Connect to the cathode of the photo diode.
8	RLED	Open drain NMOS output, used to drive a visible LED. This pin provides load current for the low battery test, and is a visual indicator for Alarm and Hush modes.
9	GLED	Open drain NMOS output used to drive a visible LED to provide visual indication of an Alarm Memory condition.
10	FEED	Usually connected to the feedback electrode through a current limiting resistor. If not used, this pin must be connected to V <sub>DD</sub> or V <sub>SS</sub> .
11	IRCAP	Used to charge and monitor the IRED capacitor.
12	IO	This bidirectional pin provides the capability to interconnect many detectors in a single system. This pin has an internal pull-down device and a charge dump device.
13	HB	This pin is connected to the metal electrode of a piezoelectric transducer.
14	HS	This pin is a complementary output to HB, connected to the ceramic electrode of the piezoelectric transducer.
15	V <sub>BST</sub>	Boosted voltage produced by DC-DC converter.
16	LX	Open drain NMOS output, used to drive the boost converter inductor. The inductor should be connected from this pin to the positive supply through a low resistance path.

# RE46C190

---

NOTES:

## 3.0 DEVICE DESCRIPTION

### 3.1 Standby Internal Timing

The internal oscillator is trimmed to  $\pm 6\%$  tolerance. Once every 10 seconds, the boost converter is powered up, the IRcap is charged from  $V_{BST}$  and then the detection circuitry is active for 10 ms. Prior to completion of the 10 mS period, the IRED pulse is active for a user-programmable duration of 100-400  $\mu$ s. During this IRED pulse, the photo diode current is integrated and then digitized. The result is compared to a limit value stored in EEPROM during calibration to determine the photo chamber status. If a smoke condition is present, the period to the next detection decreases, and additional checks are made.

### 3.2 Smoke Detection Circuitry

The digitized photo amplifier integrator output is compared to the stored limit value at the conclusion of the IRED pulse period. The IRED drive is all internal, and both the period and current are user programmable. Three consecutive smoke detections will cause the device to go into Alarm and activate the horn and interconnect circuits. In Alarm, the horn is driven at the high boost voltage level, which is regulated based on an internal voltage reference, and therefore results in consistent audibility over battery life. RLED will turn on for 10 ms at a 2 Hz rate. In Local Alarm, the integration limit is internally decreased to provide alarm hysteresis. The integrator has three separate gain settings:

- Normal and Hysteresis
- Reduced Sensitivity (HUSH)
- High Gain for Chamber Test and Push-to-Test

There are four separate sets of integration limits (all user programmable):

- Normal Detection
- Hysteresis
- HUSH
- Chamber Test and Push-to-Test modes

In addition, there are user selectable integrator gain settings to optimize detection levels (see [Table 4-1](#)).

### 3.3 Supervisory Tests

Once every 86 seconds, the status of the battery voltage is checked by enabling the boost converter for 10 ms and comparing a fraction of the  $V_{DD}$  voltage to an internal reference. In each period of 344 seconds, the battery voltage is checked four times. Three checks are unloaded and one check is performed with the RLED enabled, which provides a battery load. The High Boost mode is active only for the loaded low battery test. In addition, once every 43 seconds the chamber is activated and a High Gain mode and chamber test limits are internally selected. A check of the chamber is made by amplifying background reflections. The Low Boost mode is used for the chamber test.

If either the low battery test or the chamber test fails, the horn will pulse on for 10 ms every 43 seconds, and will continue to pulse until the failing condition passes. If two consecutive chamber tests fail, the horn will pulse on three times for 10 ms, separated by 330 ms every 43 seconds. Each of the two supervisory test audible indicators is separated by approximately 20 seconds.

As an option, a Low Battery Silence mode can be invoked. If a low battery condition exists, and the TEST input is driven high, the RLED will turn on. If the TEST input is held for more than 0.5 second, the unit will enter the Push-to-test operation described in [Section 3.4 “Push-to-Test Operation \(PTT\)”](#). After the TEST input is driven low, the unit enters in Low Battery Hush mode, and the 10 ms horn pulse is silenced for 8 hours. The activation of the test button will also initiate the 9 minute Reduced Sensitivity mode described in [Section 3.6 “Reduced Sensitivity Mode”](#). At the end of the 8 hours, the audible indication will resume if the low battery condition still exists.

### 3.4 Push-to-Test Operation (PTT)

If the TEST input pin is activated ( $V_{IH}$ ), the smoke detection rate increases to once every 250 ms after one internal clock cycle. In Push-to-Test, the photo amplifier High Gain mode is selected, and background reflections are used to simulate a smoke condition. After the required three consecutive detections, the device will go into a Local Alarm condition. When the TEST input is driven low ( $V_{IL}$ ), the photo amplifier Normal Gain is selected, after one clock cycle. The detection rate continues at once every 250 ms until three consecutive No Smoke conditions are detected. At this point, the device returns to standby timing. In addition, after the TEST input goes low, the device enters the HUSH mode (see [Section 3.6 “Reduced Sensitivity Mode”](#)).

## 3.5 Interconnect Operation

The bidirectional IO pin allows the interconnection of multiple detectors. In a Local Alarm condition, this pin is driven high (High Boost) immediately through a constant current source. Shorting this output to ground will not cause excessive current. The IO is ignored as input during a Local Alarm.

The IO pin also has an NMOS discharge device that is active for 1.3 seconds after the conclusion of any type of Local Alarm. This device helps to quickly discharge any capacitance associated with the interconnect line.

If a remote, active high signal is detected, the device goes into Remote Alarm and the horn will be active. RLED will be off, indicating a Remote Alarm condition. Internal protection circuitry allows the signaling unit to have a higher supply voltage than the signaled unit, without excessive current draw.

The interconnect input has a 336 ms nominal digital filter. This allows the interconnection to other types of alarms (carbon monoxide, for example) that may have a pulsed interconnect signal.

## 3.6 Reduced Sensitivity Mode

A Reduced Sensitivity or Hush mode is initiated by activating the TEST input ( $V_{IH}$ ). If the TEST input is activated during a Local Alarm, the unit is immediately reset out of the alarm condition, and the horn is silenced. When the TEST input is deactivated ( $V_{IL}$ ), the device enters into a 9-minute nominal Hush mode. During this period, the HUSH integration limit is selected. The hush gain is user programmable. In Reduced Sensitivity mode, the RLED flashes for 10 ms every 10 seconds to indicate that the mode is active. As an option, the Hush mode will be cancelled if any of the following conditions exist:

- Reduced sensitivity threshold is exceeded (high smoke level)
- An interconnect alarm occurs
- TEST input is activated again

## 3.7 Local Alarm Memory

An Alarm Memory feature allows easy identification of any unit that had previously been in a Local Alarm condition. If a detector has entered a Local Alarm, when it exits that Local Alarm, the Alarm Memory latch is set. Initially the GLED can be used to visually identify any unit that had previously been in a Local Alarm condition. The GLED flashes three times spaced 1.3 seconds apart. This pattern will repeat every 43 seconds. The duration of the flash is 10 ms. In order to preserve battery power, this visual indication will stop after a period of 24 hours. The user will still be able to identify a unit with an active alarm memory by pressing the Push-to-Test button. When this button is active, the horn will chirp for 10 ms every 250 ms.

If the Alarm Memory condition is set, then any time the Push-to-Test button is pressed and released, the Alarm Memory latch is reset.

The initial 24 hour visual indication is not displayed if a low battery condition exists.

## 3.8 End of Life Indicator

As an option, after every 14 days of continuous operation, the device will read a stored age count from the EEPROM and increment this count. After 10 years of powered operation, an audible warning will occur indicating that the unit should be replaced. This indicator will be similar to the chamber test failure warning in that the horn will pulse on three times for 10 ms separated by 330 ms every 43 seconds. This indicator will be separated from the low battery indicator by approximately 20 seconds.

## 3.9 Photo Chamber Long Term Drift Adjustment

As an option, the design includes a Long Term Drift Adjustment for the photo chamber. If this option is selected, during calibration a normal no-smoke baseline integration measurement is made and stored in EEPROM. During normal operation, a new baseline is calculated by making 64 integration measurements over a period of 8 hours. These measurements are averaged and compared to the original baseline stored during calibration to calculate the long term drift. All four limits stored during calibration are adjusted by this drift factor. Drift sampling is suspended during Hush, Local Smoke and Remote Smoke conditions.

## 4.0 USER PROGRAMMING MODES

**TABLE 4-1: PARAMETRIC PROGRAMMING**

Parametric Programming		Range		Resolution	
IRED Period		100-400 $\mu$ s		100 $\mu$ s	
IRED Current Sink		50-200 mA		50 mA	
Low Battery Detection Voltage		2.1 – 2.8V		100 mV	
Photo Detection Limits		Typical Maximum Input Current (nA)			
		100 $\mu$ s	200 $\mu$ s	300 $\mu$ s	400 $\mu$ s
Normal/Hysteresis	GF = 1	58	29	19.4	14.5
	GF = 2	29	14.5	9.6	7.2
	GF = 3	14.5	7.2	4.8	3.6
	GF = 4	7.2	3.6	2.4	1.8
Hush	GF = 1	116	58	38.8	29
	GF = 2	58	29	19.4	14.5
	GF = 3	29	14.5	9.6	7.2
	GF = 4	14.5	7.2	4.8	3.6
Chamber Test	GF = 1	29	14.5	9.6	7.2
	GF = 2	14.5	7.2	4.8	3.6
	GF = 3	7.2	3.6	2.4	1.8
	GF = 4	3.6	1.8	1.2	0.9
<p><b>Note 1:</b> GF is the user selectable Photo Integration Gain Factor. Once selected, it applies to all modes of operation. For example, if GF = 1 and integration time is selected to be 100 <math>\mu</math>s, the ranges will be as follows: Normal/Hysteresis = 58 nA, Hush = 116 nA, Chamber Test = 29 nA.</p> <p><b>2:</b> Nominal measurement resolution in each case will be 1/31 of the maximum input range.</p> <p><b>3:</b> The same current resolution and ranges applies to the limits.</p>					

**TABLE 4-2: FEATURES PROGRAMMING**

Features	Options
Tone Select	Continuous or NFPA Tone
10 Year End-of-life Indicator	Enable/Disable
Photo Chamber Long Term Drift Adjustment	Enable/Disable
Low Battery Hush	Enable/Disable
Hush Options	Option 1: Hush mode is not cancelled for any reason. If the test button is pushed during Hush, the unit reverts to Normal Sensitivity to test the unit, but when it comes out of test, resumes in Hush where it left off.
	Option 2: The Hush mode is cancelled if the Reduced Sensitivity threshold is exceeded (high smoke level), and if an external (interconnect alarm) is signaled. If the test button is pushed during Hush, after the test is executed, the Hush mode is terminated.

# RE46C190

## 4.1 Calibration and Programming Procedures

Eleven separate programming and test modes are available for user customization. To enter these modes, after power-up, TEST2 must be driven to  $V_{DD}$  and held at that level. The TEST input is then clocked to step through the modes. FEED and IO are reconfigured to become test mode inputs, while RLED, GLED and HB become test mode outputs. The test mode functions for each pin are outlined in Table 4-3.

When TEST2 is held at  $V_{DD}$ , TEST becomes a tri-state input with nominal input levels at  $V_{SS}$ ,  $V_{DD}$  and  $V_{BST}$ . A TEST clock occurs whenever the TEST input switches from  $V_{SS}$  to  $V_{BST}$ . The TEST Data column represents the state of TEST when used as a data input, which would be either  $V_{SS}$  or  $V_{DD}$ . The TEST pin can therefore be used as both a clock, to change modes, and a data input, once a mode is set. Other pin functions are described in Section 4.2 “User Selections”.

**TABLE 4-3: TEST MODE FUNCTIONS**

Mode	Description	TEST Clock	TEST Data	TEST2	FEED	IO	RLED	GLED	HB
	$V_{IH}$	$V_{BST}$	$V_{DD}$	$V_{DD}$	$V_{BST}$	$V_{DD}$	—	—	—
	$V_{IL}$	$V_{SS}$	$V_{SS}$	$V_{SS}$	$V_{SS}$	$V_{SS}$	—	—	—
T0	Photo Gain Factor (2 bits)	0	ProgData	$V_{DD}$	ProgCLK	ProgEn 14 bits	RLED	GLED	HB
	Integ Time (2 bits)	0	ProgData	$V_{DD}$	ProgCLK	ProgEn 14 bits	RLED	GLED	HB
	IREC Current (2 bits)	0	ProgData	$V_{DD}$	ProgCLK	ProgEn 14 bits	RLED	GLED	HB
	Low Battery Trip (3 bits)	0	ProgData	$V_{DD}$	ProgCLK	ProgEn 14 bits	RLED	GLED	HB
	LTD Enable (1 bit)	0	ProgData	$V_{DD}$	ProgCLK	ProgEn 14 bits	RLED	GLED	HB
	Hush Option (1 bit)	0	ProgData	$V_{DD}$	ProgCLK	ProgEn 14 bits	RLED	GLED	HB
	LB Hush Enable (1 bit)	0	ProgData	$V_{DD}$	ProgCLK	ProgEn 14 bits	RLED	GLED	HB
	EOL Enable (1 bit)	0	ProgData	$V_{DD}$	ProgCLK	ProgEn 14 bits	RLED	GLED	HB
	Tone Select (1 bit)	0	ProgData	$V_{DD}$	ProgCLK	ProgEn 14 bits	RLED	GLED	HB
T1	Norm Lim Set (5 bits) <sup>(4)</sup>	1	not used	$V_{DD}$	CalCLK	LatchLim <sup>(3)</sup>	Gamp	IntegOut	SmkComp <sup>(1)</sup>
T2	Hyst Lim Set (5 bits) <sup>(4)</sup>	2	not used	$V_{DD}$	CalCLK	LatchLim <sup>(3)</sup>	Gamp	IntegOut	SmkComp <sup>(1)</sup>
T3	Hush Lim Set (5 bits) <sup>(4)</sup>	3	not used	$V_{DD}$	CalCLK	LatchLim <sup>(3)</sup>	Gamp	IntegOut	SmkComp <sup>(1)</sup>
T4	Ch Test Lim Set (5 bits) <sup>(4)</sup>	4	not used	$V_{DD}$	CalCLK	LatchLim <sup>(3)</sup>	Gamp	IntegOut	SmkComp <sup>(1)</sup>
T5	LTD Baseline (5 bits)	5	not used	$V_{DD}$	MeasEn	ProgEn 25 bits	Gamp	IntegOut	SmkComp <sup>(1)</sup>
T6	Serial Read/Write	6	ProgData	$V_{DD}$	ProgCLK	ProgEn	RLED	GLED	Serial Out
T7	Norm Lim Check	7	not used	$V_{DD}$	MeasEn	not used	Gamp	IntegOut	SCMP <sup>(2)</sup>
T8	Hyst Lim Check	8	not used	$V_{DD}$	MeasEn	not used	Gamp	IntegOut	SCMP <sup>(2)</sup>
T9	Hush Lim Check	9	not used	$V_{DD}$	MeasEn	not used	Gamp	IntegOut	SCMP <sup>(2)</sup>
T10	Ch Test Lim Check	10	not used	$V_{DD}$	MeasEn	not used	Gamp	IntegOut	SCMP <sup>(2)</sup>
T11	Horn Test	11	not used	$V_{DD}$	FEED	HornEn	RLED	GLED	HB

- Note 1:** SmkComp (HB) – digital comparator output (high if  $Gamp < IntegOut$ ; low if  $Gamp > IntegOut$ )
- Note 2:** SCMP (HB) – digital output representing comparison of measurement value and associated limit. Signal is valid only after MeasEn has been asserted and measurement has been made. (SCMP high if measured value > limit; low if measured value < limit).
- Note 3:** LatchLim (IO) – digital input used to latch present state of limits (Gamp level) for later storage. T1-T4 limits are latched, but not stored until ProgEn is asserted in T5 mode.
- Note 4:** Operating the circuit in this manner with nearly continuous IRED current for an extended period of time may result in undesired or excessive heating of the part. The duration of this step should be minimized.

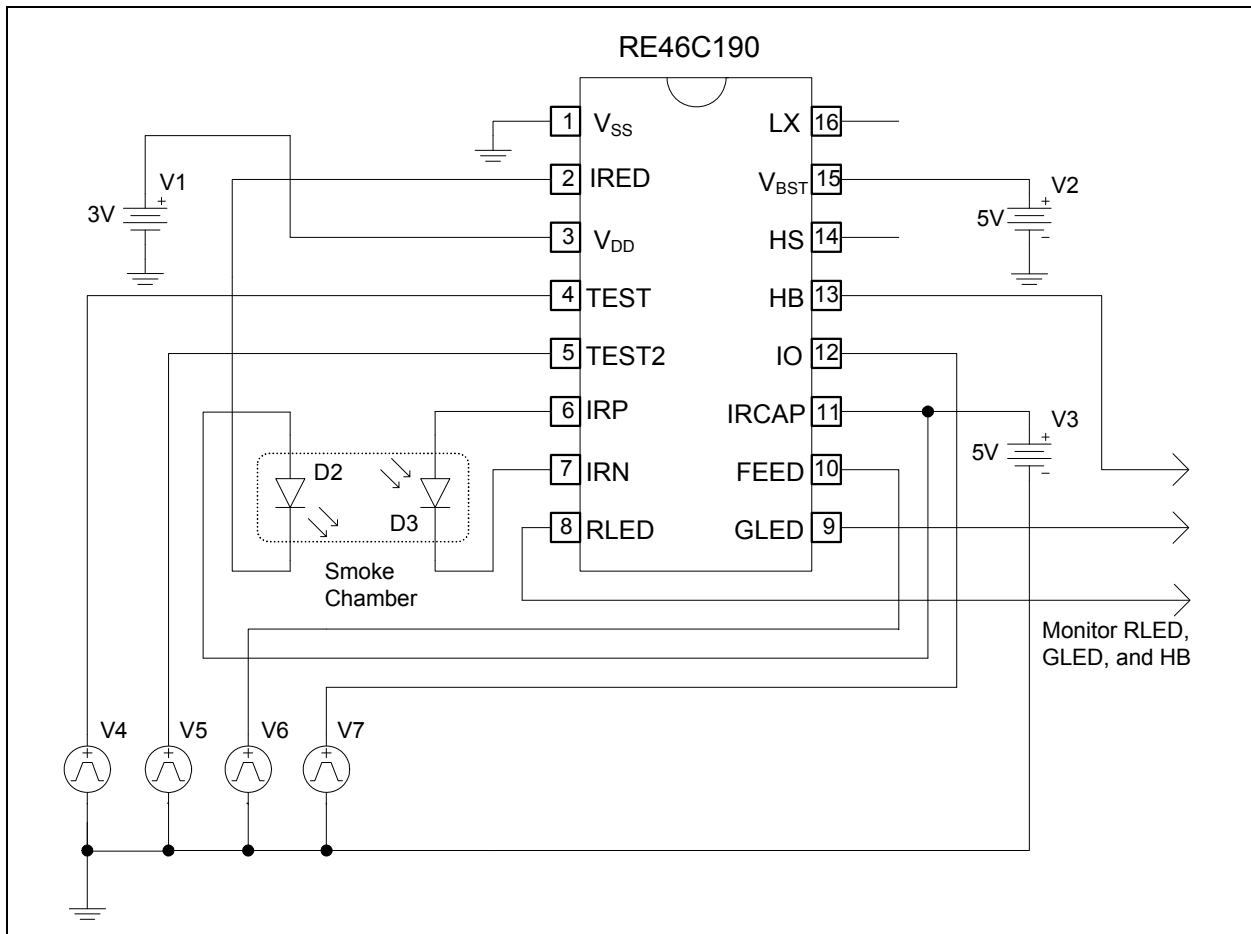


## 4.2 User Selections

Prior to smoke calibration, the user must program the functional options and parametric selections. This requires that 14 bits, representing selected values, be clocked in serially using TEST as a data input and FEED as a clock input, and then be stored in the internal EEPROM.

The detailed steps are as follows:

1. Power up with bias conditions as shown in [Figure 4-1](#). At power-up  
TEST = TEST2 = FEED = IO =  $V_{SS}$ .



**FIGURE 4-1:** Nominal Application Circuit for Programming.

# RE46C190

2. Drive TEST2 input from  $V_{SS}$  to  $V_{DD}$  and hold at  $V_{DD}$  through [Step 5](#) below.
3. Using TEST as data and FEED as clock, shift in values as selected from [Register 4-1](#).

**Note:** For test mode T0 only 14 bits (bits 25-38) will be loaded. For test mode T6 all 39 bits (bits 0-38), will be loaded.

## REGISTER 4-1: CONFIGURATION AND CALIBRATION SETTINGS REGISTER

W-x	W-x	W-x	W-x	W-x	W-x	W-x
TS	EOL	LBH	HUSH	LTD	LB0	LB1
bit 38						bit 32

W-x	W-x	W-x	W-x	W-x	W-x	W-x	W-x
LB2	IRC1	IRC0	IT1	IT0	PAGF1	PAGF0	NL4
bit 31							bit 24

W-x	W-x	W-x	W-x	W-x	W-x	W-x	W-x
NL3	NL2	NL1	NL0	HYL4	HYL3	HYL2	HYL1
bit 23							bit 16

W-x	W-x	W-x	W-x	W-x	W-x	W-x	W-x
HYL0	HUL4	HUL3	HUL2	HUL1	HUL0	CTL4	CTL3
bit 15							bit 8

W-x	W-x	W-x	W-x	W-x	W-x	W-x	W-x
CTL2	CTL1	CTL0	LTD4	LTD3	LTD2	LTD1	LTD0
bit 7							bit 0

### Legend:

R = Readable bit	W = Writable bit	U = Unimplemented bit, read as '0'
-n = Value at POR	'1' = Bit is set	'0' = Bit is cleared
		x = Bit is unknown

- bit 38      **TS:** Tone Select bit  
             1 = Temporal Horn Pattern  
             0 = Continuous Horn Pattern
- bit 37      **EOL:** End of Life Enable bit  
             1 = Enable  
             0 = Disable
- bit 36      **LBH:** Low Battery Hush Enable bit  
             1 = Enable  
             0 = Disable
- bit 35      **HUSH:** Hush Option bit  
             1 = Cancelled for high smoke level, interconnect alarm, or second push of TEST button  
                 (as described above)  
             0 = Never Cancel
- bit 34      **LTD:** Long Term Drift Enable bit  
             1 = Enable  
             0 = Disable

## REGISTER 4-1: CONFIGURATION AND CALIBRATION SETTINGS REGISTER (CONTINUED)

bit 33-31	<b>LB&lt;0:2&gt;</b> : Low Battery Trip Point bits 000 = 2.1V 001 = 2.5V 010 = 2.3V 011 = 2.7V 100 = 2.2V 101 = 2.6V 110 = 2.4V 111 = 2.8V
bit 30-29	<b>IRC&lt;1:0&gt;</b> : IRED Current bits 00 = 50 mA 01 = 100 mA 10 = 150 mA 11 = 200 mA
bit 28-27	<b>IT&lt;1:0&gt;</b> : Integration Time bits 00 = 400 $\mu$ s 01 = 300 $\mu$ s 10 = 200 $\mu$ s 11 = 100 $\mu$ s
bit 26-25	<b>PAGF&lt;1:0&gt;</b> : Photo Amplifier Gain Factor bits 00 = 1 01 = 2 10 = 3 11 = 4
bit 24-20	<b>NL&lt;4:0&gt;</b> : Normal Limits bits ( <a href="#">Section 3.2</a> ) 00000 = 0 00001 = 1 • • • 11110 = 30 11111 = 31
bit 19-15	<b>HYL&lt;4:0&gt;</b> : Hysteresis Limits bits ( <a href="#">Section 3.2</a> ) 00000 = 0 00001 = 1 • • • 11110 = 30 11111 = 31
bit 14-10	<b>HUL&lt;4:0&gt;</b> : Hush Limits bits ( <a href="#">Section 3.6</a> ) 00000 = 0 00001 = 1 • • • 11110 = 30 11111 = 31

# RE46C190

## REGISTER 4-1: CONFIGURATION AND CALIBRATION SETTINGS REGISTER (CONTINUED)

bit 9-5 **CTL<4:0>**: Chamber Test Limits bits ([Section 3.3](#))

00000 = 0  
 00001 = 1  
 •  
 •  
 •  
 11110 = 30  
 11111 = 31

bit 4-0 **LTD<4:0>**: Long Term Drift Sample bits ([Section 3.9](#))

00000 = 0  
 00001 = 1  
 •  
 •  
 •  
 11110 = 30  
 11111 = 31

The minimum pulse width for FEED is 10  $\mu$ s, while the minimum pulse width for TEST is 100  $\mu$ s. For example, for the following options, the sequence would be:

data - 0 0 0 1 1 0 0 0 1 0 0 0 0 1  
 bit - 25 26 27 28 29 30 31 32 33 34 35 36 37 38

Photo Amp Gain Factor = 1

Integration Time = 200  $\mu$ s

IREC Current = 100 mA

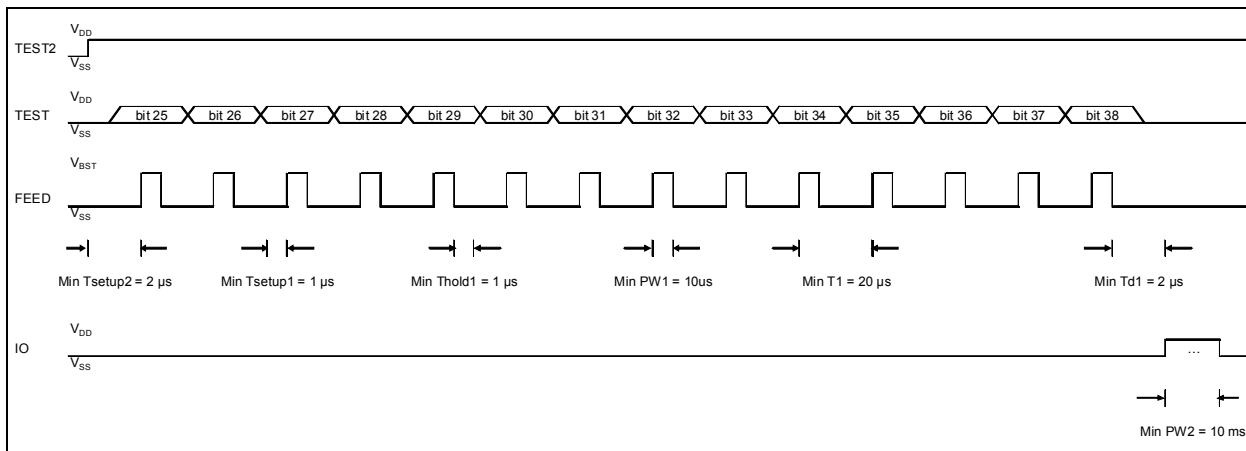
Low Battery Trip = 2.2V

Long Term Drift, Low Battery Hush and EOL are all disabled

Hush Option = Never Cancel

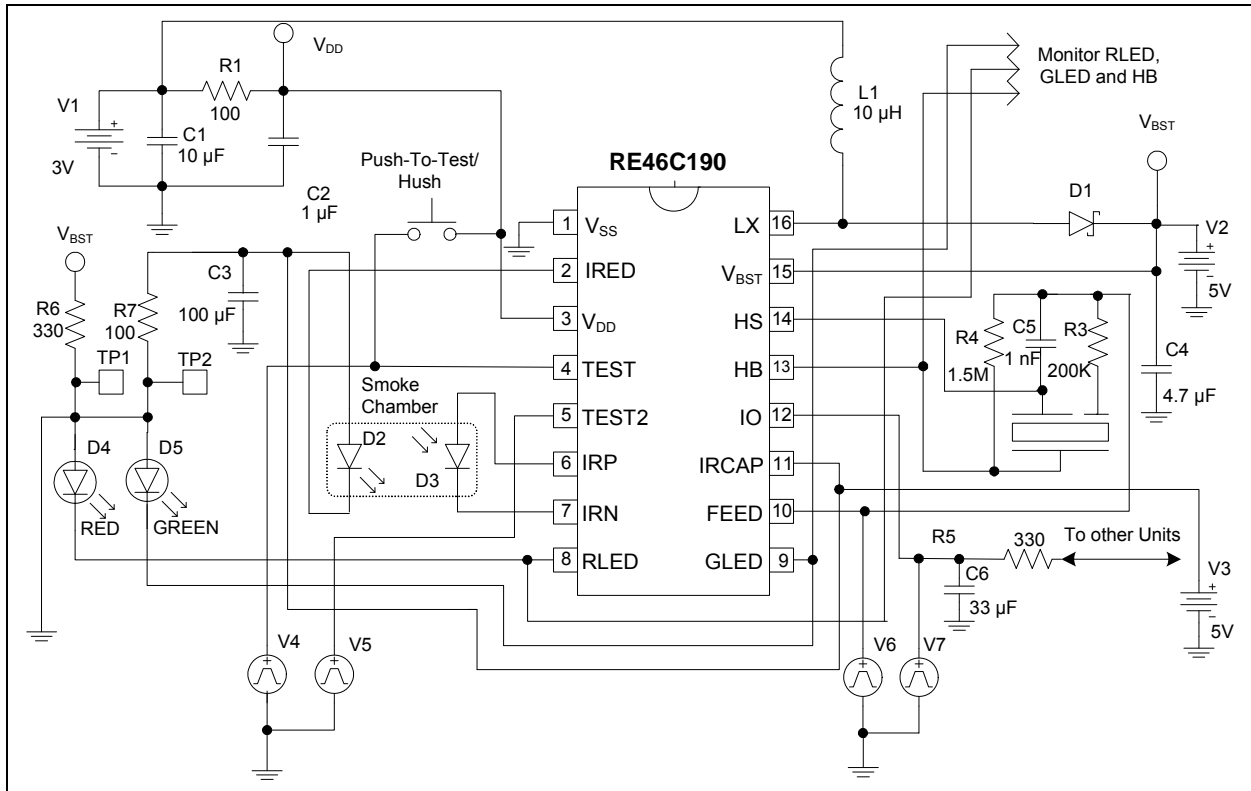
Tone Select = Temporal

- After shifting in data, pull IO input to  $V_{DD}$ , then  $V_{SS}$  (minimum pulse width of 10 ms) to store shift register contents into the memory.
- If any changes are required, power down the part and return to [Step 1](#). All bit values must be reentered.



**FIGURE 4-2:** Timing Diagram for Mode T0.

As an alternative to Figure 4-1, Figure 4-3 can be used to program while in the application circuit. Note that in addition to the five programming supplies, connections to  $V_{SS}$  are needed at TP1 and TP2.



**FIGURE 4-3:** Circuit for Programming in the Typical Application.

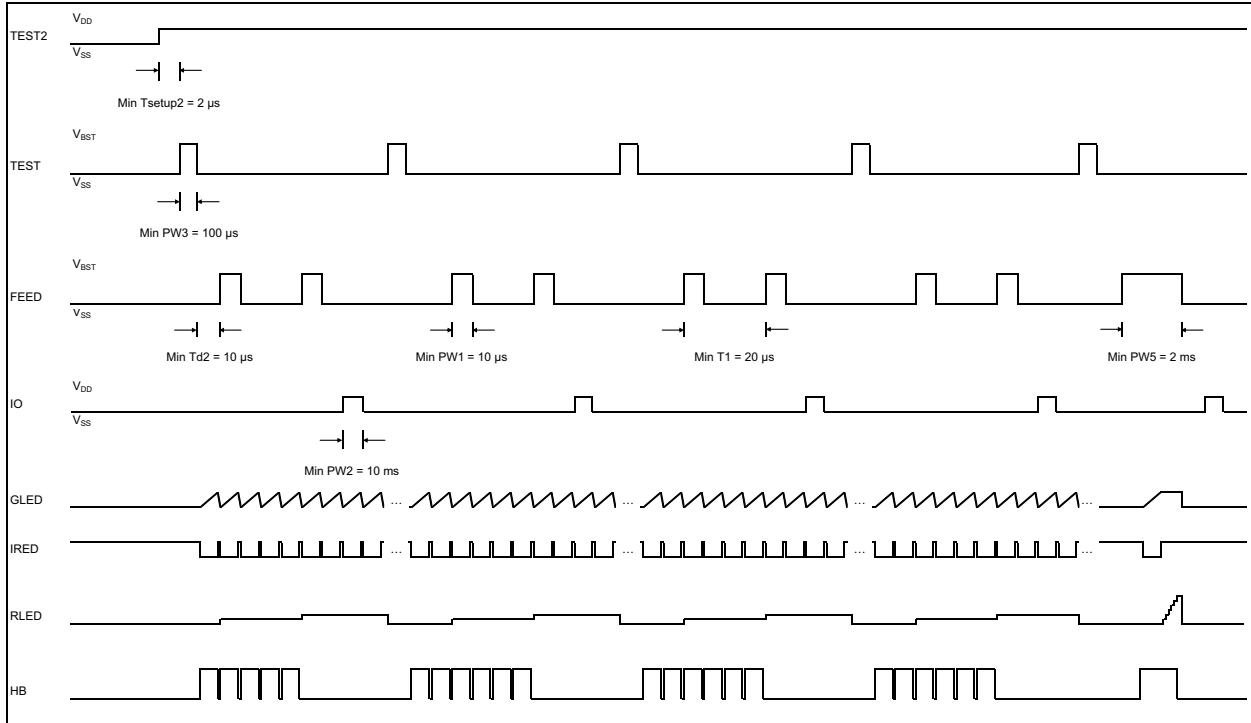
## 4.3 Smoke Calibration

A separate calibration mode is entered for each measurement mode (Normal, Hysteresis, Hush and Chamber Test) so that independent limits can be set for each. In all calibration modes, the integrator output can be accessed at the GLED output.

The Gamp output voltage, which represents the smoke detection level, can be accessed at the RLED output. The SmkComp output voltage is the result of the comparison of Gamp with the integrator output, and can be accessed at HB. The FEED input can be clocked to step up the smoke detection level at RLED. Once the desired smoke threshold is reached, the TEST input is pulsed low to high to store the result.

The procedure is described in the following steps:

1. Power up with the bias conditions shown in [Figure 4-1](#).
2. Drive TEST2 input from  $V_{SS}$  to  $V_{DD}$  to enter the Programming mode. TEST2 should remain at  $V_{DD}$  through [Step 8](#) described below.
3. Apply a clock pulse to the TEST input to enter in T1 mode. This initiates the calibration mode for Normal Limits setting. The Integrator output saw tooth should appear at GLED and the smoke detection level at RLED. Clock FEED to increase the smoke detection level as needed. Once the desired smoke threshold is reached, the IO input is pulsed low to high to enter the result. See typical waveforms in [Figure 4-4](#). Operating the circuit in this manner, with nearly continuous IRED current for an extended period of time, may result in undesired or excessive heating of the part. The duration of this step should be minimized.
4. Apply a second clock pulse to the TEST input to enter in T2 mode. This initiates the calibration mode for Hysteresis Limits. Clock FEED as in [Step 3](#) and apply pulse to IO, once desired level is reached. Operating the circuit in this manner, with nearly continuous IRED current for an extended period of time, may result in undesired or excessive heating of the part. The duration of this step should be minimized.
5. Apply a clock pulse to the TEST input again to enter in T3 mode and initiate calibration for Hush Limits. Clock FEED as in the steps above and apply a pulse to IO, once the desired level is reached. Operating the circuit in this manner, with nearly continuous IRED current for an extended period of time, may result in undesired or excessive heating of the part. The duration of this step should be minimized.
6. Apply a clock pulse to the TEST input a fourth time to enter in T4 mode, and initiate the calibration for Chamber Test Limits. Clock FEED and apply pulse to IO, once desired level is reached. Operating the circuit in this manner, with nearly continuous IRED current for an extended period of time, may result in undesired or excessive heating of the part. The duration of this step should be minimized.
7. If the Long Term Drift Adjustment is enabled, after all limits have been set, the long term drift (LTD) baseline measurement must be made. To do this, a measurement must be made under no-smoke conditions. To enable the baseline measurement, pull TEST from  $V_{SS}$  to  $V_{BST}$  again and return to  $V_{SS}$ . Once the chamber is clear, pulse FEED low to high to make the baseline measurement.
8. After limits have been set and baseline LTD measurement has been made, pulse IO to store all results in memory. Before this step, no limits are stored in memory.



**FIGURE 4-4:** Timing Diagram for Modes T1 to T5.

# RE46C190

## 4.4 Serial Read/Write

As an alternative to the steps in [Section 4.3 “Smoke Calibration”](#), if the system has been well characterized, the limits and baseline can be entered directly from a serial read/write calibration mode.

To enter this mode, follow these steps:

1. Set up the application as shown in [Figure 4-1](#).
2. Drive TEST2 input from  $V_{SS}$  to  $V_{DD}$  to enter in Programming mode. TEST2 should remain at  $V_{DD}$  until all data has been entered.
3. Clock the TEST input to mode T6 (High =  $V_{BST}$ , Low =  $V_{SS}$ , 6 clocks). This enables the serial read/write mode.
4. TEST now acts as a data input (High =  $V_{DD}$ , Low =  $V_{SS}$ ). FEED acts as the clock input (High =  $V_{BST}$ , Low =  $V_{SS}$ ). Clock in the limits, LTD baseline, functional and parametric options. The data sequence should be as follows:

- 5 bit LTD sample (LSB first)
- 5 bit Chamber Test Limits (LSB first)
- 5 bit Hush Limits (LSB first)
- 5 bit Hysteresis Limits (LSB first),

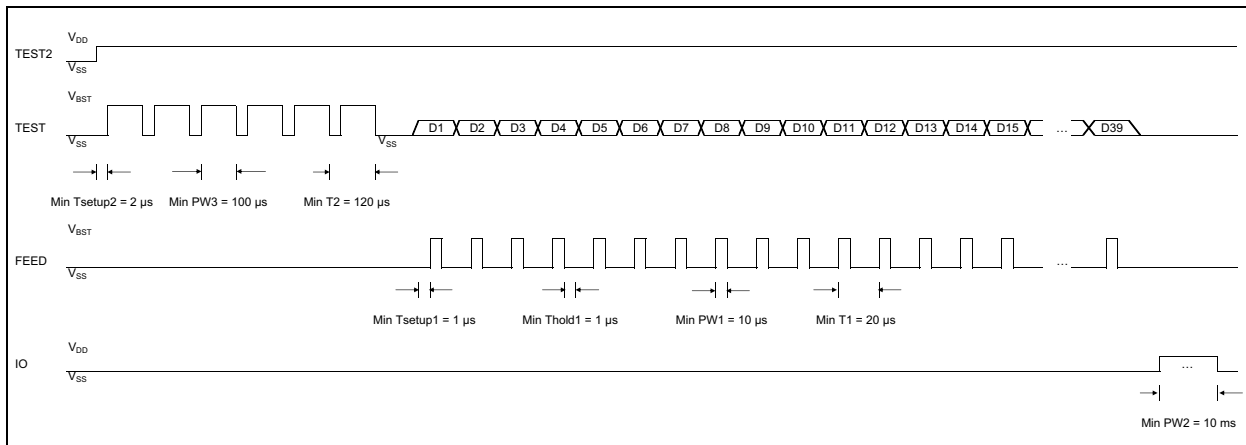
5 bit Normal Limits (LSB first)

Then, the data sequence follows the pattern described in [Register 4-1](#):

- 2 bit Photo Amp Gain Factor
- 2 bit Integration Time
- 2 bit IRED current
- 3 bit Low Battery Trip Point
- 1 bit Long Term Drift Enable
- 1 bit Hush Option
- 1 bit Low Battery Hush Enable
- 1 bit EOL enable
- 1 bit Tone Select

A serial data output is available at HB.

5. After all 39 bits have been entered, pulse IO to store into the EEPROM memory.



**FIGURE 4-5:** Timing Diagram for Mode T6.

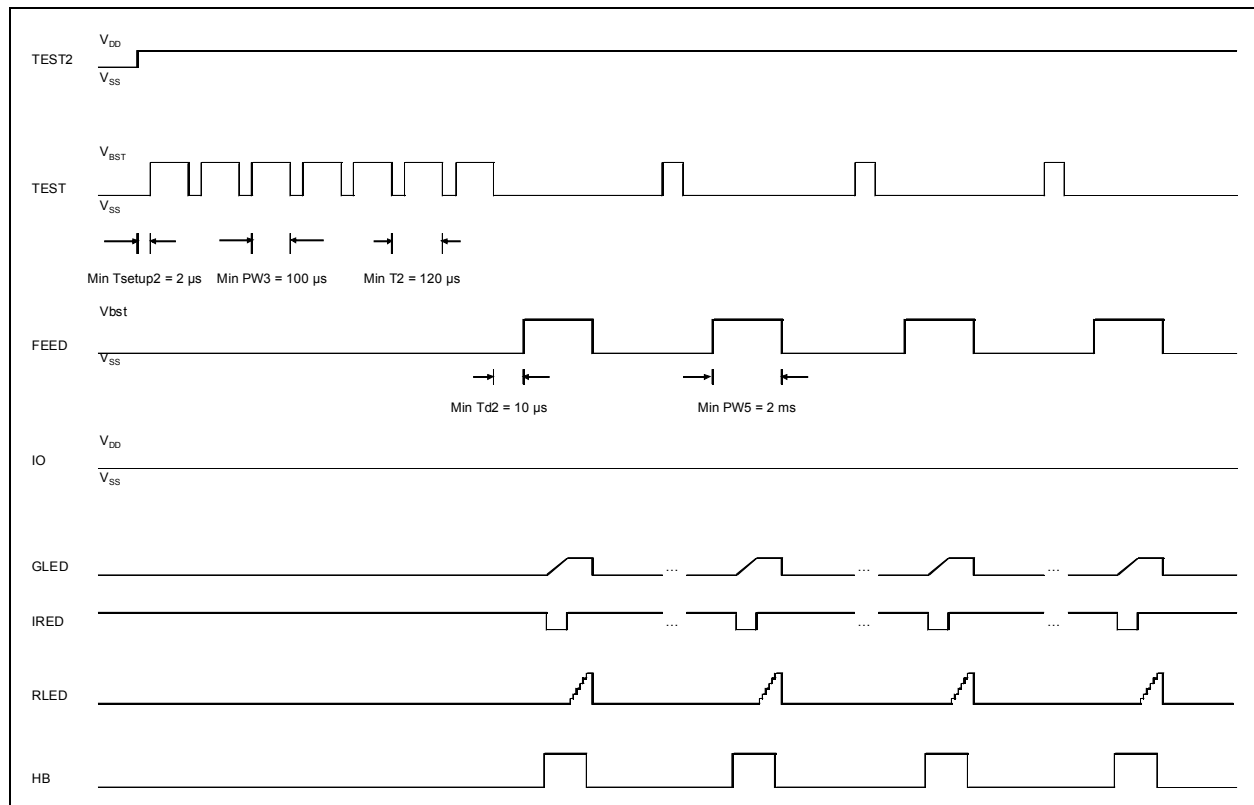


## 4.5 Limits Verification

After all limits and LTD baseline have been entered and stored into the memory, additional test modes are available to verify if the limits are functioning as expected. [Table 4-4](#) describes several verification tests.

**TABLE 4-4: LIMITS VERIFICATION DESCRIPTION**

Limit	Test Description
Normal Limits	Clock TEST to Mode T7 (7 clocks). With appropriate smoke level in chamber, pull FEED to $V_{DD}$ and hold for at least 1 ms. The HB output will indicate the detection status (High = smoke detected).
Hysteresis Limits	Clock TEST to Mode T8 (8 clocks). Pulse FEED and monitor HB as in Normal Limits case.
Hush Limits	Clock TEST to Mode T9 (9 clocks). Pulse FEED and monitor HB.
Chamber Test Limits	Clock TEST to Mode T10 (10 clocks). Pulse FEED and monitor HB.

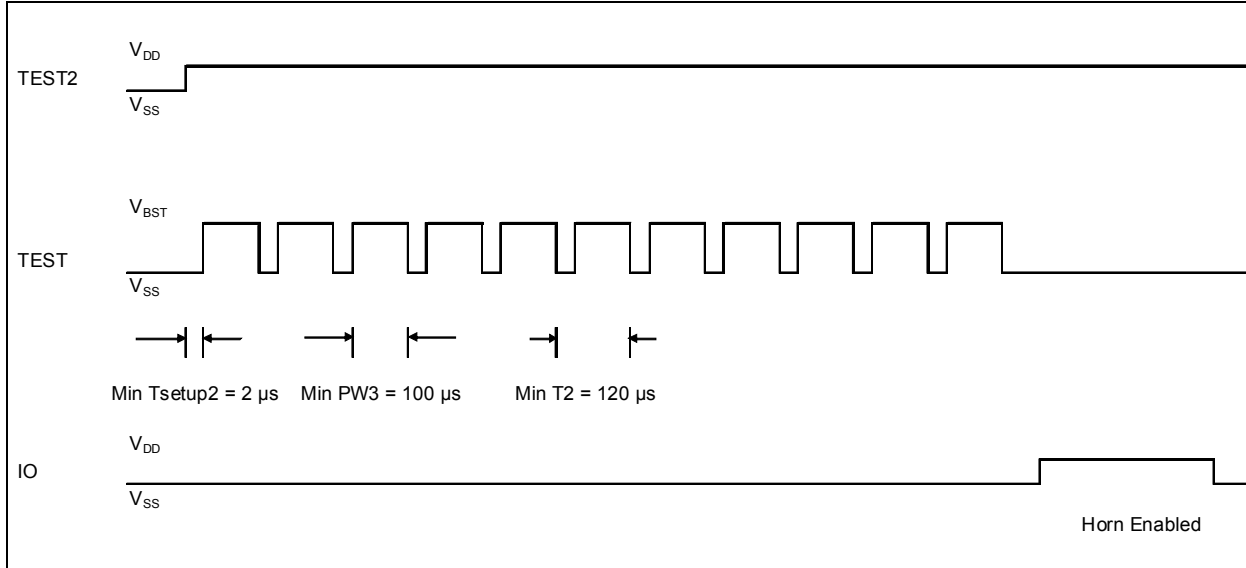


**FIGURE 4-6:** Timing Diagram for Modes T7-T10.

# RE46C190

## 4.6 Horn Test

The last test mode allows the horn to be enabled indefinitely for audibility testing. To enter this mode, clock TEST to Mode T11 (11 clocks). The IO pin is configured as horn enable.



**FIGURE 4-7:** Timing Diagram for Mode T11.

## 5.0 APPLICATION NOTES

### 5.1 Standby Current Calculation and Battery Life

The supply current shown in the [DC Electrical Characteristics](#) table is only one component of the average standby current and, in most cases, can be a small fraction of the total, because power consumption generally occurs in relatively infrequent bursts and depends on many external factors. These include the values selected for IRED current and integration time, the  $V_{BST}$  and IR capacitor sizes and leakages, the  $V_{BAT}$  level, and the magnitude of any external resistances that will adversely affect the boost converter efficiency.

A calculation of the standby current for the battery life is shown in [Table 5-1](#), based on the following parameters:

$V_{BAT}$	=	3
$V_{BST1}$	=	3.6
$V_{BST2}$	=	9
Boost capacitor size	=	4.70E-06
Boost Efficiency	=	8.50E-01
IRED on time	=	2.000E-04
IRED Current	=	1.000E-01

**TABLE 5-1: STANDBY CURRENT CALCULATION**

$I_{DD}$ Component	Voltage (V)	Current (A)	Duration (s)	Energy (J)	Period (s)	Average Power (W)	$I_{BAT}$ Contribution (A)	$I_{BAT}$ ( $\mu$ A)
Fixed $I_{DD}$	3	1.00E-06	—	—	—	3.00E-06	1.00E-06	1.0
<b>Photo Detection Current</b>								
Chamber test (excluding IR drive)	3.6	1.00E-03	1.00E-02	3.60E-05	43	9.85E-07	3.28E-07	0.3
IR drive during Chamber Test	3.6	0.10	2.00E-04	7.20E-05	43	1.97E-06	6.57E-07	0.7
Smoke Detection (excluding IR drive)	3.6	1.00E-03	1.00E-02	3.60E-05	10.75	3.94E-06	1.31E-06	1.3
IR drive during Smoke Detection	3.6	0.10	2.00E-04	7.20E-05	10.75	7.88E-06	2.63E-06	2.6
<b>Low Battery Check Current</b>								
Loaded Test								
Load	9	2.00E-02	1.00E-02	1.80E-03	344	6.16E-06	2.05E-06	2.1
Boost	$V_{BST1}$ to $V_{BST2}$	—	—	6.85E-05	344	2.34E-07	7.81E-08	0.1
Unloaded Test								
Load	3.6	1.00E-04	1.00E-02	3.60E-06	43	9.85E-08	3.28E-08	0.0
<b>Total</b>							8.09E-06	8.1

The following paragraphs explain the components in [Table 5-1](#), and the calculations in the example.

#### 5.1.1 FIXED $I_{DD}$

The  $I_{DD}$  is the Supply Current shown in the [DC Electrical Characteristics](#) table.

#### 5.1.2 PHOTO DETECTION CURRENT

Photo Detection Current is the current draw due to the smoke testing every 10.75 seconds, and the chamber test every 43 seconds. The current for both the IR diode and the internal measurement circuitry comes primarily from  $V_{BST}$ , so the average current must be scaled for both on-time and boost voltage.

The contribution to  $I_{BAT}$  is determined by first calculating the energy consumed by each component, given its duration. An average power is then calculated based on the period of the event and the boost converter efficiency (assumed to be 85% in this case). An  $I_{BAT}$  contribution is then calculated based on this average power and the given  $V_{BAT}$ . For example, the IR drive contribution during chamber test is detailed in [Equation 5-1](#):

#### EQUATION 5-1:

$$\frac{3.6V \times 0.1A \times 200\mu s}{43s \times 0.85 \times 3V} = 0.657\mu A$$

# RE46C190

---

## 5.1.3 LOW BATTERY CHECK CURRENT

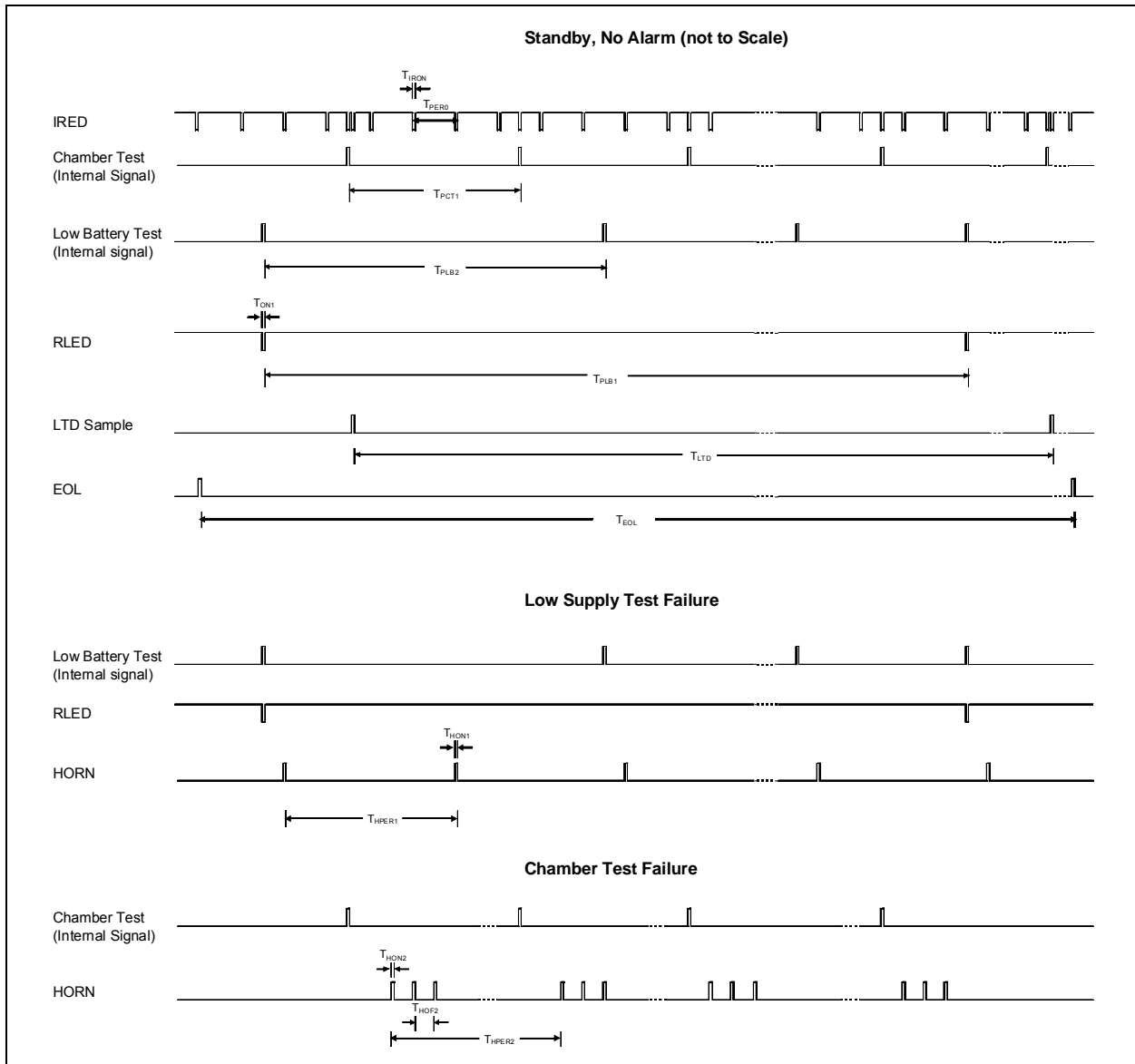
The Low Battery Check Current is the current required for the low battery test. It includes both the loaded (RLED on) and unloaded (RLED Off) tests. The boost component of the loaded test represents the cost of charging the boost capacitor to the higher voltage level. This has a fixed cost for every loaded check, because the capacitor is gradually discharged during subsequent operations, and the energy is generally not recovered. The other calculations are similar to those shown in [Equation 5-1](#). The unloaded test has a minimal contribution because it involves only some internal reference and comparator circuitry.

## 5.1.4 BATTERY LIFE

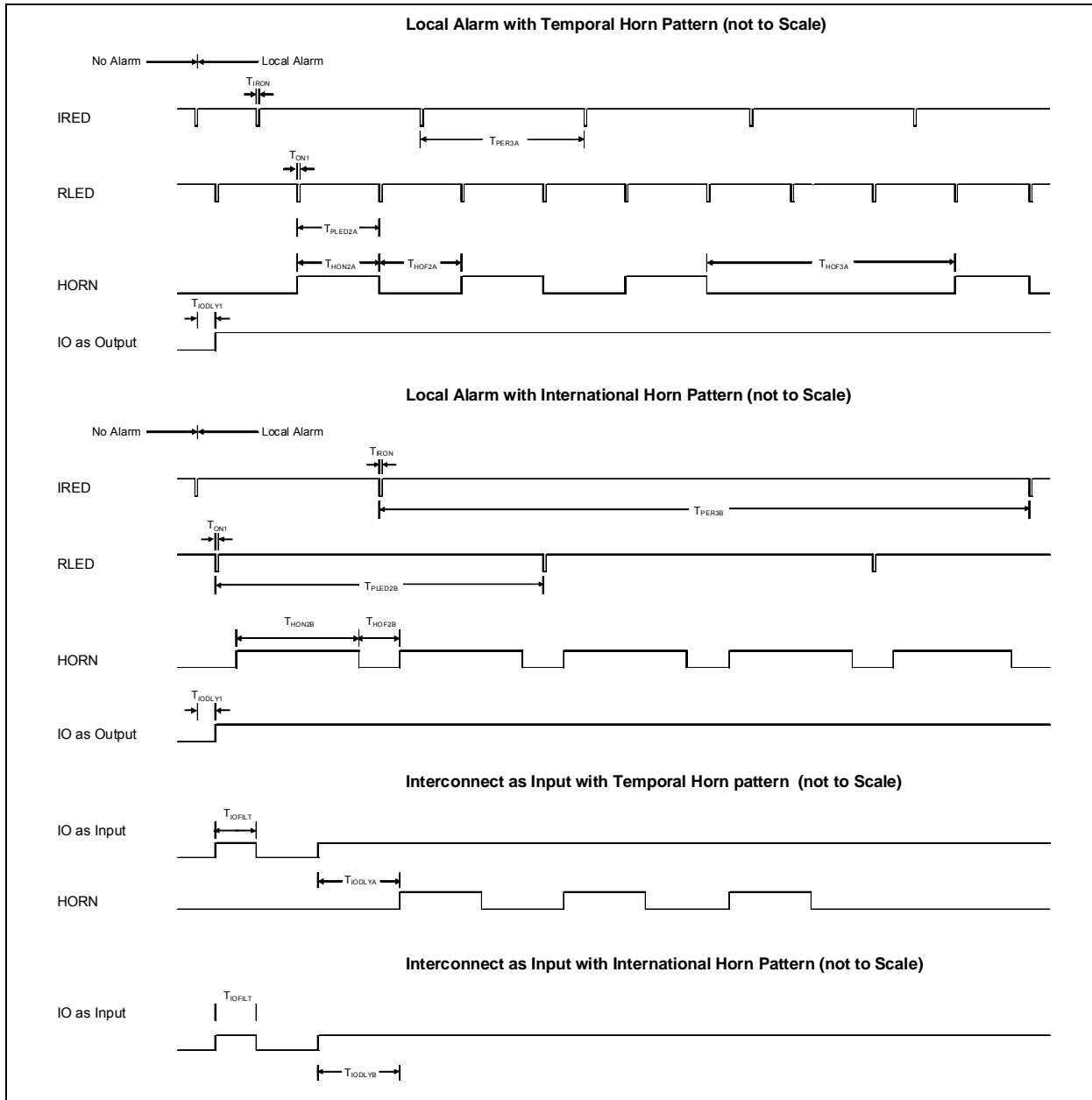
When estimating the battery life, several additional factors must be considered. These include battery resistance, battery self discharge rate, capacitor leakages and the effect of the operating temperature on all of these characteristics. Some number of false alarms and user tests should also be included in any calculation.

For ten year applications, a 3V spiral wound lithium manganese dioxide battery with a laser seal is recommended. These can be found with capacities of 1400 to 1600 mAh.

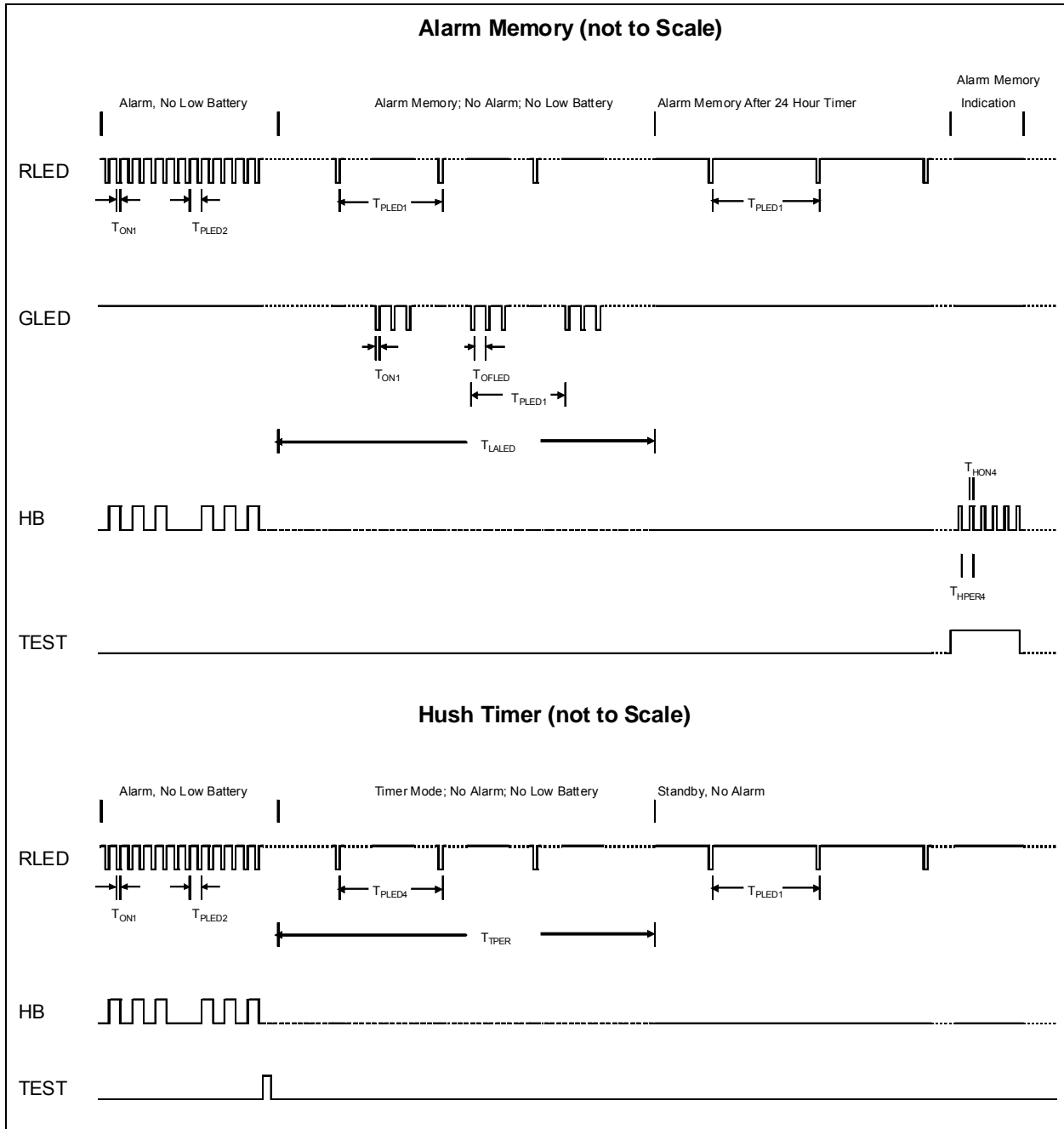
## 5.1.5 FUNCTIONAL TIMING DIAGRAMS



**FIGURE 5-1:** RE46C190 Timing Diagram – Standby, No Alarm, Low Supply Test Failure and Chamber Test Failure.



**FIGURE 5-2:** RE46C190 Timing Diagram – Local Alarm with Temporal Horn Pattern, Local Alarm with International Horn Pattern, Interconnect as Input with Temporal Horn Pattern and Interconnect as Input with International Horn Pattern.



**FIGURE 5-3:** RE46C190 Timing Diagram – Alarm Memory and Hush Timer.

# RE46C190

---

NOTES:



## 6.0 PACKAGING INFORMATION



### 6.1 Package Marking Information

16-Lead SOIC (.150")



Example

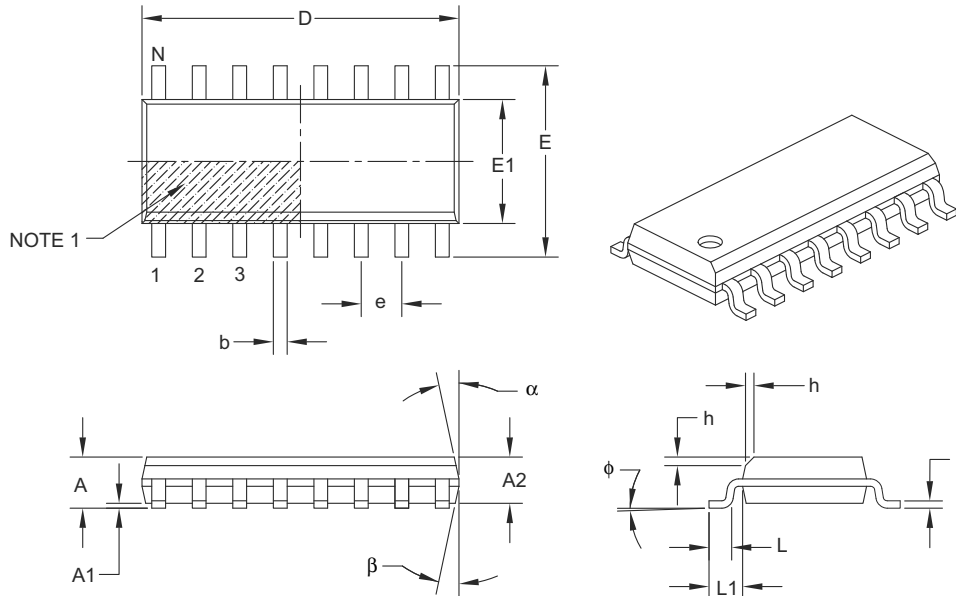


<b>Legend:</b>	XX...X	Customer-specific information
	Y	Year code (last digit of calendar year)
	YY	Year code (last 2 digits of calendar year)
	WW	Week code (week of January 1 is week '01')
	NNN	Alphanumeric traceability code
		Pb-free JEDEC designator for Matte Tin (Sn)
	*	This package is Pb-free. The Pb-free JEDEC designator (  ) can be found on the outer packaging for this package.
<b>Note:</b>	In the event the full Microchip part number cannot be marked on one line, it will be carried over to the next line, thus limiting the number of available characters for customer-specific information.	

# RE46C190

## 16-Lead Plastic Small Outline (SL) – Narrow, 3.90 mm Body [SOIC]

**Note:** For the most current package drawings, please see the Microchip Packaging Specification located at <http://www.microchip.com/packageing>



Dimension Limits	Units	MILLIMETERS		
		MIN	NOM	MAX
Number of Pins	N	16		
Pitch	e	1.27 BSC		
Overall Height	A	–	–	1.75
Molded Package Thickness	A2	1.25	–	–
Standoff §	A1	0.10	–	0.25
Overall Width	E	6.00 BSC		
Molded Package Width	E1	3.90 BSC		
Overall Length	D	9.90 BSC		
Chamfer (optional)	h	0.25	–	0.50
Foot Length	L	0.40	–	1.27
Footprint	L1	1.04 REF		
Foot Angle	$\phi$	0°	–	8°
Lead Thickness	c	0.17	–	0.25
Lead Width	b	0.31	–	0.51
Mold Draft Angle Top	$\alpha$	5°	–	15°
Mold Draft Angle Bottom	$\beta$	5°	–	15°

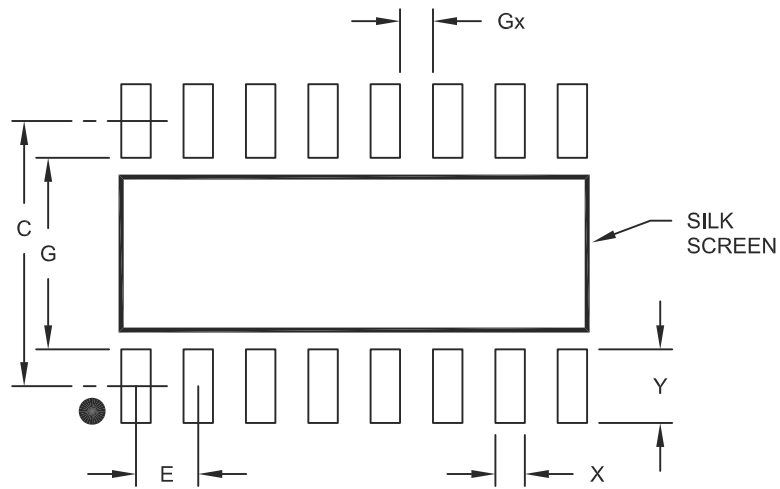
**Notes:**

- Pin 1 visual index feature may vary, but must be located within the hatched area.
- § Significant Characteristic.
- Dimensions D and E1 do not include mold flash or protrusions. Mold flash or protrusions shall not exceed 0.15 mm per side.
- Dimensioning and tolerancing per ASME Y14.5M.  
 BSC: Basic Dimension. Theoretically exact value shown without tolerances.  
 REF: Reference Dimension, usually without tolerance, for information purposes only.

Microchip Technology Drawing C04-108B

## 16-Lead Plastic Small Outline (SL) - Narrow, 3.90 mm Body [SOIC]

**Note:** For the most current package drawings, please see the Microchip Packaging Specification located at <http://www.microchip.com/packaging>



### RECOMMENDED LAND PATTERN

		Units	MILLIMETERS		
		Dimension Limits	MIN	NOM	MAX
Contact Pitch	E	1.27 BSC			
Contact Pad Spacing	C	5.40			
Contact Pad Width	X				0.60
Contact Pad Length	Y				1.50
Distance Between Pads	Gx	0.67			
Distance Between Pads	G	3.90			

**Notes:**

1. Dimensioning and tolerancing per ASME Y14.5M

BSC: Basic Dimension. Theoretically exact value shown without tolerances.

Microchip Technology Drawing No. C04-2108A

# RE46C190

---

NOTES:

## APPENDIX A: REVISION HISTORY

### Revision A (December 2010)

- Original Release of this Document.

# RE46C190

---

NOTES:

## PRODUCT IDENTIFICATION SYSTEM

To order or obtain information, e.g., on pricing or delivery, refer to the factory or the listed sales office.

<b>PART NO.</b>	<b>X</b>	<b>XX</b>	<b>I</b>	<b>X</b>
<b>Device</b>	<b>Package</b>	<b>Number of Pins</b>	<b>Tape and Reel</b>	<b>Lead Free</b>
Device		RE46C190:	CMOS Photoelectric Smoke Detector ASIC	
		RE46C190T:	CMOS Photoelectric Smoke Detector ASIC (Tape and Reel)	
Package	S	=	Small Plastic Outline - Narrow, 3.90 mm Body, 16-Lead (SOIC)	

**Examples:**

- a) RE46C190S16F: 16LD SOIC Package, Lead Free
- b) RE46C190S16TF: 16LD SOIC Package, Tape and Reel, Lead Free

# RE46C190

---

NOTES:



---

**Note the following details of the code protection feature on Microchip devices:**

- Microchip products meet the specification contained in their particular Microchip Data Sheet.
- Microchip believes that its family of products is one of the most secure families of its kind on the market today, when used in the intended manner and under normal conditions.
- There are dishonest and possibly illegal methods used to breach the code protection feature. All of these methods, to our knowledge, require using the Microchip products in a manner outside the operating specifications contained in Microchip's Data Sheets. Most likely, the person doing so is engaged in theft of intellectual property.
- Microchip is willing to work with the customer who is concerned about the integrity of their code.
- Neither Microchip nor any other semiconductor manufacturer can guarantee the security of their code. Code protection does not mean that we are guaranteeing the product as “unbreakable.”

Code protection is constantly evolving. We at Microchip are committed to continuously improving the code protection features of our products. Attempts to break Microchip's code protection feature may be a violation of the Digital Millennium Copyright Act. If such acts allow unauthorized access to your software or other copyrighted work, you may have a right to sue for relief under that Act.

---

Information contained in this publication regarding device applications and the like is provided only for your convenience and may be superseded by updates. It is your responsibility to ensure that your application meets with your specifications. MICROCHIP MAKES NO REPRESENTATIONS OR WARRANTIES OF ANY KIND WHETHER EXPRESS OR IMPLIED, WRITTEN OR ORAL, STATUTORY OR OTHERWISE, RELATED TO THE INFORMATION, INCLUDING BUT NOT LIMITED TO ITS CONDITION, QUALITY, PERFORMANCE, MERCHANTABILITY OR FITNESS FOR PURPOSE. Microchip disclaims all liability arising from this information and its use. Use of Microchip devices in life support and/or safety applications is entirely at the buyer's risk, and the buyer agrees to defend, indemnify and hold harmless Microchip from any and all damages, claims, suits, or expenses resulting from such use. No licenses are conveyed, implicitly or otherwise, under any Microchip intellectual property rights.

**Trademarks**

The Microchip name and logo, the Microchip logo, dsPIC, KEELOQ, KEELOQ logo, MPLAB, PIC, PICmicro, PICSTART, PIC<sup>32</sup> logo, rPIC and UNI/O are registered trademarks of Microchip Technology Incorporated in the U.S.A. and other countries.


FilterLab, Hampshire, HI-TECH C, Linear Active Thermistor, MXDEV, MXLAB, SEEVAL and The Embedded Control Solutions Company are registered trademarks of Microchip Technology Incorporated in the U.S.A.

Analog-for-the-Digital Age, Application Maestro, CodeGuard, dsPICDEM, dsPICDEM.net, dsPICworks, dsSPEAK, ECAN, ECONOMONITOR, FanSense, HI-TIDE, In-Circuit Serial Programming, ICSP, Mindi, MiWi, MPASM, MPLAB Certified logo, MPLIB, MPLINK, mTouch, Omniscient Code Generation, PICC, PICC-18, PICDEM, PICDEM.net, PICkit, PICTail, REAL ICE, rLAB, Select Mode, Total Endurance, TSHARC, UniWinDriver, WiperLock and ZENA are trademarks of Microchip Technology Incorporated in the U.S.A. and other countries.

SQTP is a service mark of Microchip Technology Incorporated in the U.S.A.

All other trademarks mentioned herein are property of their respective companies.

© 2010, Microchip Technology Incorporated, Printed in the U.S.A., All Rights Reserved.

 Printed on recycled paper.

ISBN: 978-1-60932-782-8

*Microchip received ISO/TS-16949:2002 certification for its worldwide headquarters, design and wafer fabrication facilities in Chandler and Tempe, Arizona; Gresham, Oregon and design centers in California and India. The Company's quality system processes and procedures are for its PIC® MCUs and dsPIC® DSCs, KEELOQ® code hopping devices, Serial EEPROMs, microperipherals, nonvolatile memory and analog products. In addition, Microchip's quality system for the design and manufacture of development systems is ISO 9001:2000 certified.*

**QUALITY MANAGEMENT SYSTEM  
CERTIFIED BY DNV  
== ISO/TS 16949:2002 ==**



# MICROCHIP

## Worldwide Sales and Service

### AMERICAS

**Corporate Office**  
2355 West Chandler Blvd.  
Chandler, AZ 85224-6199  
Tel: 480-792-7200  
Fax: 480-792-7277  
Technical Support:  
<http://support.microchip.com>  
Web Address:  
[www.microchip.com](http://www.microchip.com)

**Atlanta**  
Duluth, GA  
Tel: 678-957-9614  
Fax: 678-957-1455

**Boston**  
Westborough, MA  
Tel: 774-760-0087  
Fax: 774-760-0088

**Chicago**  
Itasca, IL  
Tel: 630-285-0071  
Fax: 630-285-0075

**Cleveland**  
Independence, OH  
Tel: 216-447-0464  
Fax: 216-447-0643

**Dallas**  
Addison, TX  
Tel: 972-818-7423  
Fax: 972-818-2924

**Detroit**  
Farmington Hills, MI  
Tel: 248-538-2250  
Fax: 248-538-2260

**Kokomo**  
Kokomo, IN  
Tel: 765-864-8360  
Fax: 765-864-8387

**Los Angeles**  
Mission Viejo, CA  
Tel: 949-462-9523  
Fax: 949-462-9608

**Santa Clara**  
Santa Clara, CA  
Tel: 408-961-6444  
Fax: 408-961-6445

**Toronto**  
Mississauga, Ontario,  
Canada  
Tel: 905-673-0699  
Fax: 905-673-6509

### ASIA/PACIFIC

**Asia Pacific Office**  
Suites 3707-14, 37th Floor  
Tower 6, The Gateway  
Harbour City, Kowloon  
Hong Kong  
Tel: 852-2401-1200  
Fax: 852-2401-3431

**Australia - Sydney**  
Tel: 61-2-9868-6733  
Fax: 61-2-9868-6755

**China - Beijing**  
Tel: 86-10-8528-2100  
Fax: 86-10-8528-2104

**China - Chengdu**  
Tel: 86-28-8665-5511  
Fax: 86-28-8665-7889

**China - Chongqing**  
Tel: 86-23-8980-9588  
Fax: 86-23-8980-9500

**China - Hong Kong SAR**  
Tel: 852-2401-1200  
Fax: 852-2401-3431

**China - Nanjing**  
Tel: 86-25-8473-2460  
Fax: 86-25-8473-2470

**China - Qingdao**  
Tel: 86-532-8502-7355  
Fax: 86-532-8502-7205

**China - Shanghai**  
Tel: 86-21-5407-5533  
Fax: 86-21-5407-5066

**China - Shenyang**  
Tel: 86-24-2334-2829  
Fax: 86-24-2334-2393

**China - Shenzhen**  
Tel: 86-755-8203-2660  
Fax: 86-755-8203-1760

**China - Wuhan**  
Tel: 86-27-5980-5300  
Fax: 86-27-5980-5118

**China - Xian**  
Tel: 86-29-8833-7252  
Fax: 86-29-8833-7256

**China - Xiamen**  
Tel: 86-592-2388138  
Fax: 86-592-2388130

**China - Zhuhai**  
Tel: 86-756-3210040  
Fax: 86-756-3210049

### ASIA/PACIFIC

**India - Bangalore**  
Tel: 91-80-3090-4444  
Fax: 91-80-3090-4123

**India - New Delhi**  
Tel: 91-11-4160-8631  
Fax: 91-11-4160-8632

**India - Pune**  
Tel: 91-20-2566-1512  
Fax: 91-20-2566-1513

**Japan - Yokohama**  
Tel: 81-45-471- 6166  
Fax: 81-45-471-6122

**Korea - Daegu**  
Tel: 82-53-744-4301  
Fax: 82-53-744-4302

**Korea - Seoul**  
Tel: 82-2-554-7200  
Fax: 82-2-558-5932 or  
82-2-558-5934

**Malaysia - Kuala Lumpur**  
Tel: 60-3-6201-9857  
Fax: 60-3-6201-9859

**Malaysia - Penang**  
Tel: 60-4-227-8870  
Fax: 60-4-227-4068

**Philippines - Manila**  
Tel: 63-2-634-9065  
Fax: 63-2-634-9069

**Singapore**  
Tel: 65-6334-8870  
Fax: 65-6334-8850

**Taiwan - Hsin Chu**  
Tel: 886-3-6578-300  
Fax: 886-3-6578-370

**Taiwan - Kaohsiung**  
Tel: 886-7-213-7830  
Fax: 886-7-330-9305

**Taiwan - Taipei**  
Tel: 886-2-2500-6610  
Fax: 886-2-2508-0102

**Thailand - Bangkok**  
Tel: 66-2-694-1351  
Fax: 66-2-694-1350

### EUROPE

**Austria - Wels**  
Tel: 43-7242-2244-39  
Fax: 43-7242-2244-393

**Denmark - Copenhagen**  
Tel: 45-4450-2828  
Fax: 45-4485-2829

**France - Paris**  
Tel: 33-1-69-53-63-20  
Fax: 33-1-69-30-90-79

**Germany - Munich**  
Tel: 49-89-627-144-0  
Fax: 49-89-627-144-44

**Italy - Milan**  
Tel: 39-0331-742611  
Fax: 39-0331-466781

**Netherlands - Drunen**  
Tel: 31-416-690399  
Fax: 31-416-690340

**Spain - Madrid**  
Tel: 34-91-708-08-90  
Fax: 34-91-708-08-91

**UK - Wokingham**  
Tel: 44-118-921-5869  
Fax: 44-118-921-5820

08/04/10