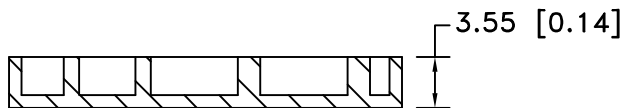
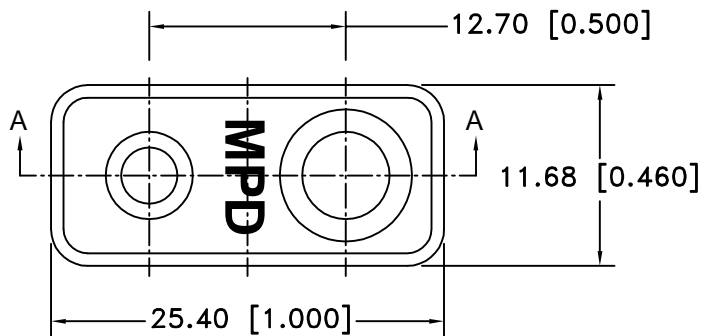



Date	SYM	REVISION RECORD	AUTH	DR.	CK.
9/10/06	A	ADDED "ROHS COMPLIANT"	T.B.	B.S.	



NOTES:
MATERIAL: GP POLYPROPYLENE, BLACK
ROHS COMPLIANT

Tolerance (Except as noted)	 Memory Protection Devices, Inc 200 Broad Hollow Road, Farmingdale, New York 11735	Scale	Drawn By B.S.
			Approved By T.B.
decimal ±.5 (.020)	Title COVER FOR 9 VOLT TERMINALS WITH 1/2" SPACING		
Fractional ± .8 (.030)	Date 9/10/06	Drawing Number BS-COVER	
Angular ± 3°			