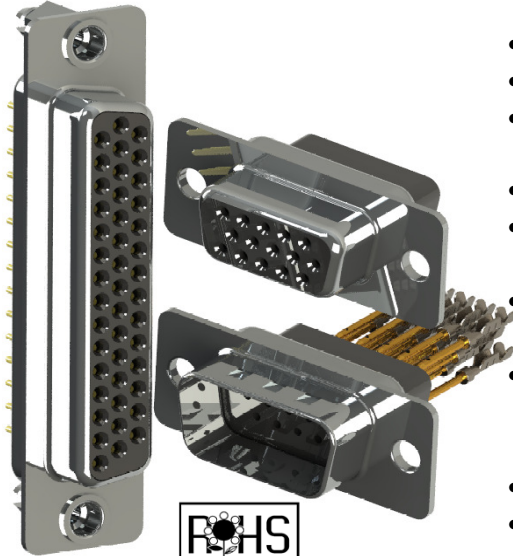




SERIES 637/638: HD D-SUB CONNECTOR

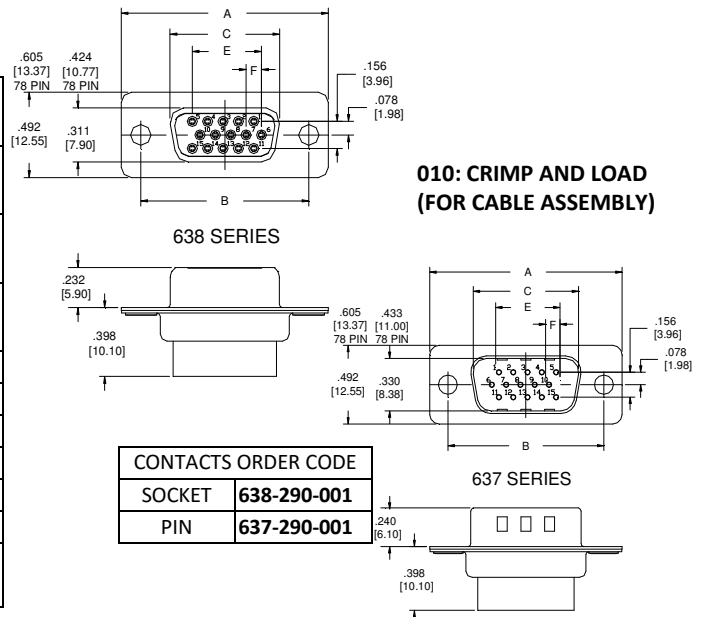
Plug and Receptacle, Vertical High Density, PCB Mount, Plastic & Metal Body



- High Profile Available in Machined Contacts (15 & 26 Contacts only)
- .090" (2.29mm) Contact Spacing X .112" (2.82mm) Row Spacing
- Plug and Receptacle in 15, 26, 44, 62 or 78 Contact Sizes
(Only 15 Pin Contacts are available in Plastic Body)
- Pin and Socket Contact Mating Design with P.C. Tail Termination
- Metal Shell Provides EMI/RFI Shielding, Plug Shell Indents provide Grounding and Additional Mating Retention
- Grounding Features include Two Prong Boardlock for Exceptional Retention to P.C. Board
- Mounting Options for Panel Mount or Connector Mating include Through Hole, Threaded Inserts, Boardlocks and Removable of Fixed Threaded Standoffs
- D-Shaped Connector Mating Outline provides Polarization
- Design based on Requirements of MIL-C-24038, EIA RS-232 and RS-449

Specifications:

Insulator Material	Thermoplastic Polyester, UL 94V-0, Chemical Resistant, Color: Black
Contact Material	Plug (Pins): Brass Receptacle (Socket): Brass or Phosphor Bronze
Contact Plating	Selective Gold (See Ordering Code) over Nickel for the Mating Area, Tin Plating for Tail Area
Ferrite Specs:	20dB MIN @30 MHz, 30dB MIN @50 MHz, and 50dB MIN @100 MHz
Shell Material	Nickel Plated Steel
Current Rating	3A Per Contact
Contact Resistance	10 Milliohms MAX
Insulation Resistance	5000 Megohms MIN
Dielectric Voltage	1000V AC rms at Sea Level
Operating Temp.	-55°C To +105°C
Mating and Unmating Force	1oz To 10oz (0.28N To 2.78N) Per Contact Position



Ordering Code: **637-015-230-017**

SERIES:

637: PLUG (PIN)
638: RECEPTACLE (SOCKET)

NO. OF CONTACTS:

015 - 15 CONTACTS 026 - 26 CONTACTS
044 - 44 CONTACTS 062 - 62 CONTACTS
078 - 78 CONTACTS

CONTACT FINISH CODE:

2 - GOLD FLASH PLATING
3 - 15 MICROINCHES OF GOLD PLATING
6 - 30 MICROINCHES OF GOLD PLATING

TERMINATION:

010 - CRIMP AND LOAD (CABLE ASSEMBLY)

CONTACT CODE:

30 - LOW PROFILE P.C.B. TAIL
31 - HIGH PROFILE P.C.B. TAIL
32 - SOLDER CUP
38 - 2.8mm FERITE FILTER (LOW PROFILE ONLY)

MOUNTING OPTIONS:

- 0 - NO CONTACTS (CRIMP AND LOAD ONLY)
- 1 - \varnothing .125" (\varnothing 3.18MM) THROUGH HOLE
- 2 - 4-40 UNC THREADED INSERT
- 3 - 4-40 UNC HEX THREADED STANDOFF
- 6 - 4-40 UNC THREADED INSERT WITH BOARDLOCKS
- 7 - 4-40 UNC THREADED STANDOFF WITH BOARDLOCKS
- 8 - 4-40 UNC THREADED FIXED STANDOFF

GROUNDING FEATURE:

- 0 - NO HARD WARE (CRIMP AND LOAD ONLY)
- 1 - PLASTIC BODY, LOW PROFILE
- 4 - METAL BODY, LOW PROFILE
- 5 - METAL BODY, HIGH PROFILE

CRIMP AND LOAD TERMINATION ONLY:

- 0 - NON-CRIMP AND LOAD TERMINATION
- 2 - TIN PLATED SHELL
- 3 - NICKEL PLATED SHELL
- 4 - ZINC PLATED SHELL

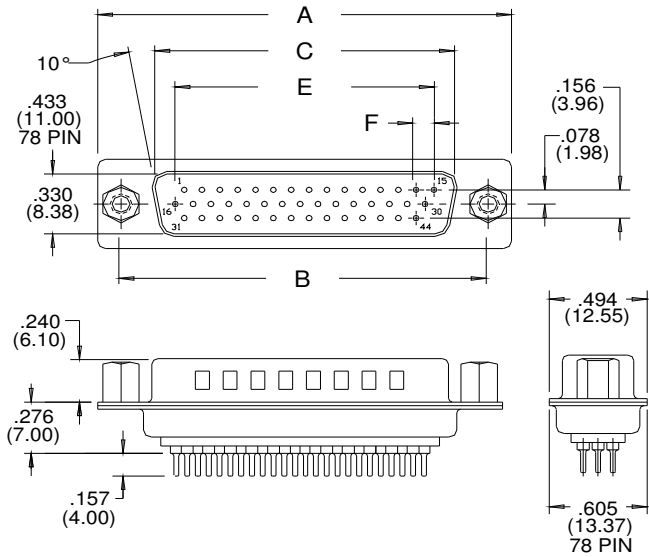


SERIES 637/638: HD D-SUB CONNECTOR

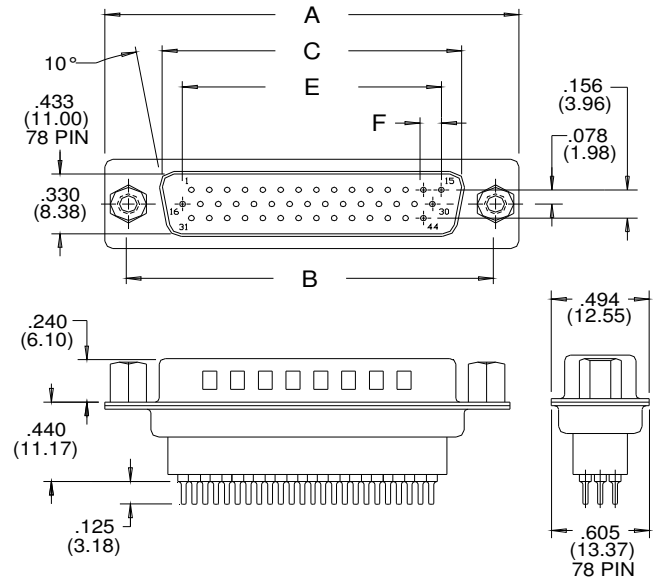
Plug and Receptacle, Vertical High Density, PCB Mount, Plastic & Metal Body

PLUG 637 SERIES

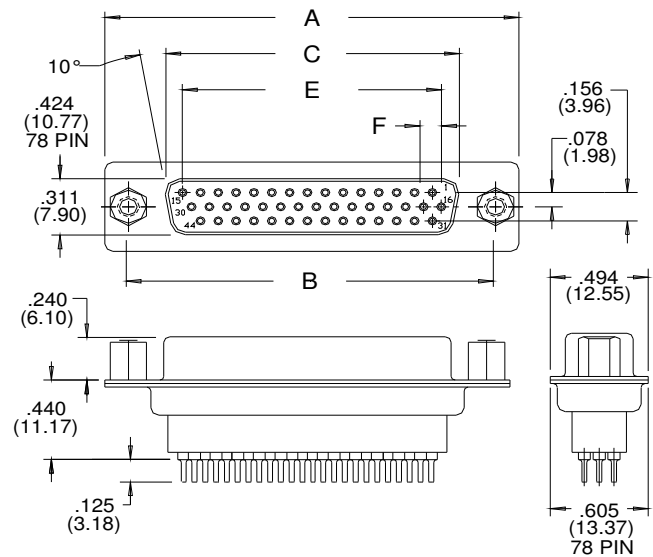
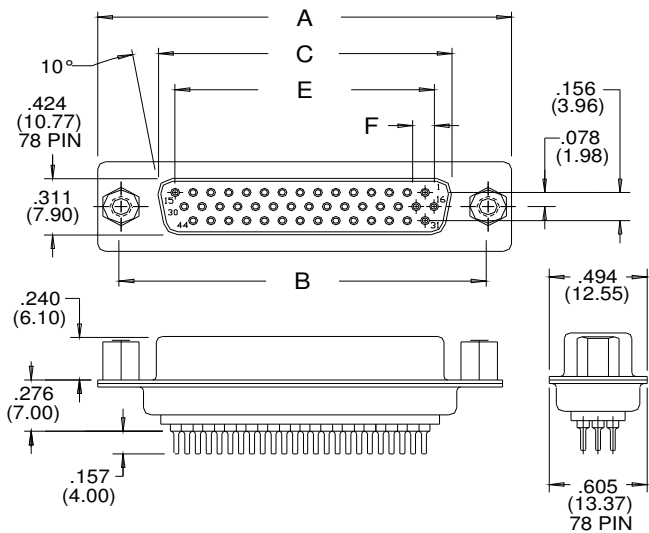
LOW PROFILE



HIGH PROFILE



RECEPTACLE 638 SERIES



NUMBER OF CONTACTS	A		B		C PLUG		C RECEPTACLE		E		F	
	Inch	(mm)	Inch	(mm)	Inch	(mm)	Inch	(mm)	Inch	(mm)	Inch	(mm)
15	1.214	(30.84)	.984	(24.99)	.667	(16.92)	.640	(16.26)	.405	(10.29)	.090	(2.29)
26	1.545	(39.24)	1.312	(33.32)	.994	(25.25)	.967	(24.56)	.765	(19.43)	.090	(2.29)
44	2.088	(53.04)	1.852	(47.04)	1.534	(38.96)	1.508	(38.30)	1.305	(33.15)	.090	(2.29)
62	2.730	(69.34)	2.500	(63.50)	2.182	(55.42)	2.156	(54.76)	1.947	(49.45)	.095	(2.41)
78	2.635	(66.93)	2.406	(61.11)	2.090	(53.08)	2.064	(52.43)	1.805	(45.85)	.095	(2.41)

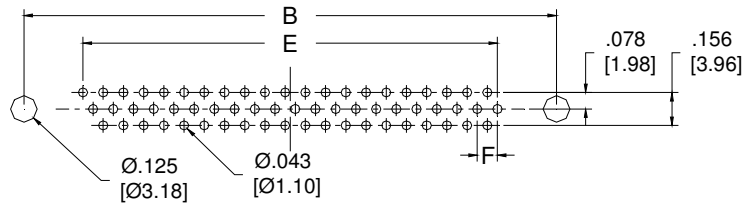
** NOTE: 78 PIN HAS 4 ROWS OF CONTACTS



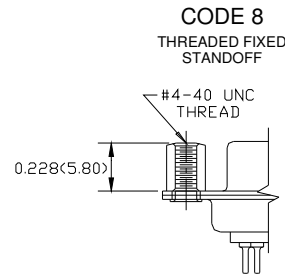
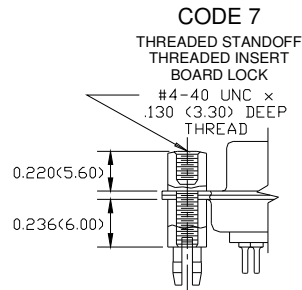
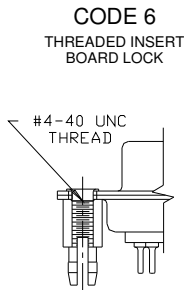
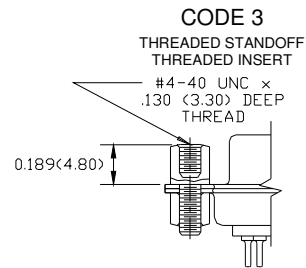
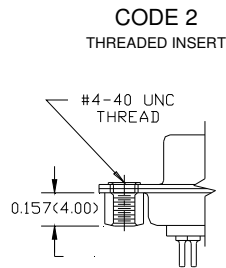
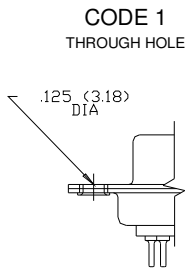
SERIES 637/638: HD D-SUB CONNECTOR

Plug and Receptacle, Vertical High Density, PCB Mount, Plastic & Metal Body

RECOMMENDED PCB LAYOUT



MOUNTING OPTIONS



MOUNTING OPTIONS FOR STRAIGHT P.C.B.

