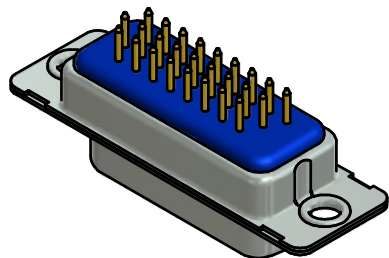
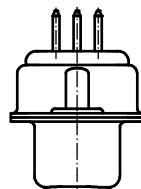
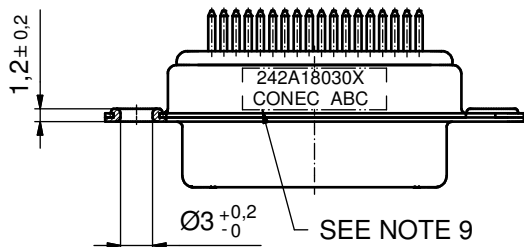
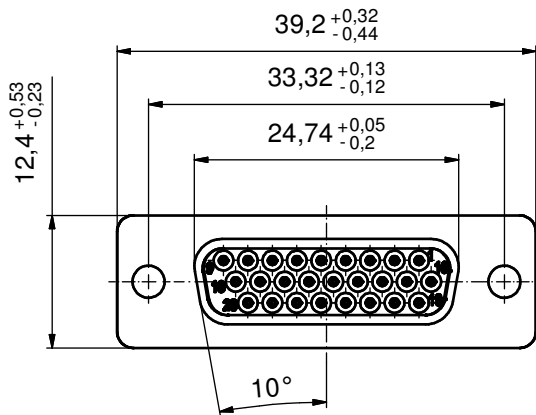
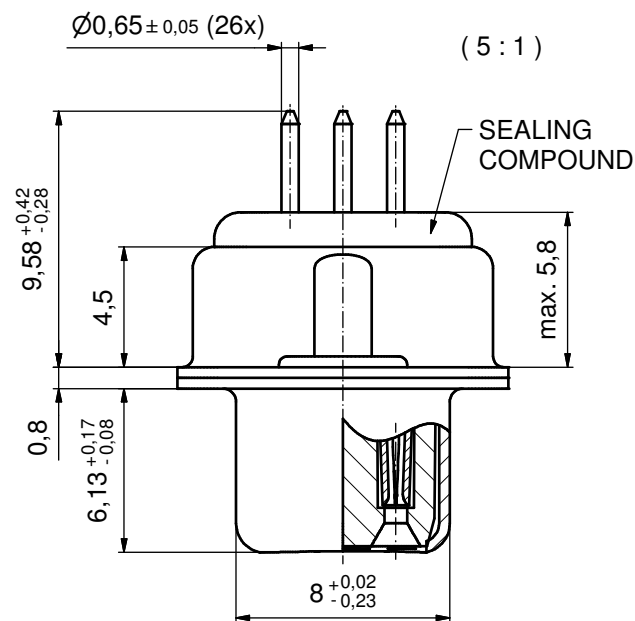


P.C.B. HOLE DRILLINGS
(P.C.B. TOP SIDE)



NOTES:

1. RoHS COMPLIANT
2. FOR WAVESOLDERING (SOLDER BATH TEMPERATURE 260°C FOR 5 SEC. AND SOLDER PREHEAT 100°C FOR 30 SEC.)
3. METALSHELLS: STEEL; min. 315µm TIN over 40-80µm NICKEL
4. INSULATORS: HIGH TEMPERATURE PLASTIC UL 94 V-0; BLACK
5. CONTACTS: COPPER ALLOY
PLATING: GOLD FLASH over NICKEL
6. CAPACITANCE: 830pF±20%
7. DIELECTRIC WITHSTANDING VOLTAGE: 300 VDC
8. MAXIMUM TORQUE VALUE FOR THREAD: 6 in.LB
9. CONNECTOR IS PART MARKED: 242A18030X CONEC ABC

Directive 2002/95/EC RoHS compliant

THIS DRAWING MAY NOT BE COPIED OR REPRODUCED IN ANY WAY, AND MAY NOT BE PASSED ON TO A THIRD PARTY WITHOUT WRITTEN PERMISSION. OWNERSHIP AND COPYRIGHT OF CONEC GmbH DO NOT ALTER CAD DRAWING BY HAND	tolerance		dim. in mm	scale: 2:1 (5:1)	
				material: SEE NOTES	
	date	name		title: D-SUB HD C FILTER FEMALE 26pos. SOLDER PIN STRAIGHT	
	drawn 17.04.12	Henneboel			
	appd. 17.04.12	Fischer			
	norm			dwg no:	
d-old			24K1A1372		
a Original			DIN-A3		
rev. description	date	name	sh: 1		
			part no: 242A18030X		