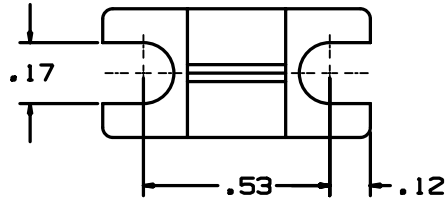
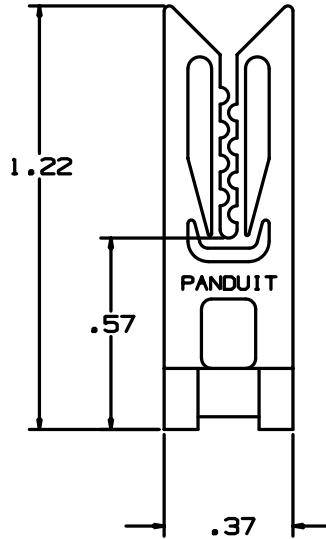
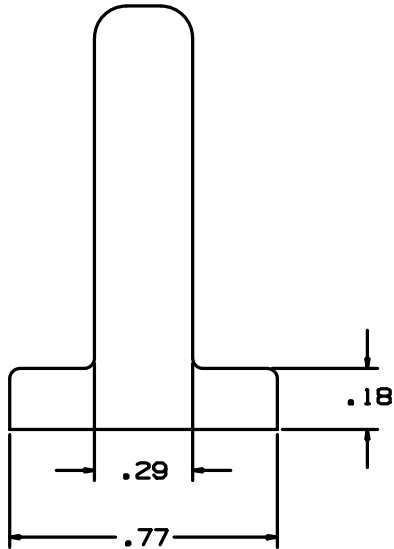


THIS COPY IS PROVIDED ON A RESTRICTED BASIS AND IS NOT TO BE USED IN ANY WAY DETRIMENTAL TO THE INTERESTS OF PANDUIT CORP.



PANDUIT PART NUMBER*	WEIGHT lbs/100 pcs (g)/100 pcs	RANGE OF WIRE SIZES	REC'M. FASTENER
WEH-E8	.59 (267)	16 TO 28 A.W.G.	#8 (M4) SCREW



- NOTES:
- SEE CURRENT PRICE SHEET FOR PART NUMBER SUFFIX DESIGNATION FOR PACKAGE SIZE.
  - COLOR: BLACK

DIMENSIONS IN PARENTHESES ARE METRIC

CAD FILENAME/LAYERS G00239ET\_PB\_WEHE8\_01

**PANDUIT** CORP. TINLEY PARK, ILLINOIS

WIRE END HOLDER WEH-E8

UNLESS OTHERWISE SPECIFIED,  
DIMENSIONAL TOLERANCES ARE:  
(.X) ±0.05 (1.3) (.XXX) ±0.010 (0.25)  
(.XX) ±0.02 (0.5) ANGLES ± 5°

UNLESS OTHERWISE SPECIFIED,  
ALL DIMENSIONS ARE GIVEN  
IN INCHES, THIRD ANGLE PROJECTION.

REV	DATE	BY	CHK	DESCRIPTION	ECN	R	CUST	SUP
I	10/12/04	JAD		.77 DIM WAS .79	GB0239ET	1		
R	01/20/97	CGSM		INITIAL RELEASE	GB0239ET	R		

DRAWN BY  
CGSM  
DATE  
01/20/97  
CHK'D

MAT'L:  
ACETAL

SCALE  
2/1  
DRAWING NO.  
GB0239ET  
DWG  
SIZE  
A