

# CGA4J3X8L1E155K125AB

TDK Item Description : CGA4J3X8L1E155KT\*\*\*



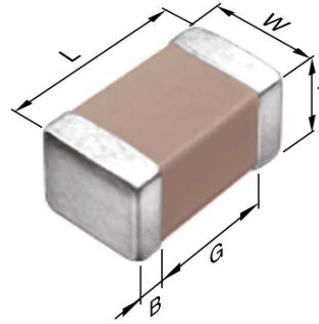
Equivalent C2012X8L1E155K for Automotive

## Application & Main Feature

Automotive Grade ( High Temperature Application )

## Series

CGA4(2012) [EIA 0805]



## Dimensions

L	2.00mm +/-0.2mm
W	1.25mm +/-0.2mm
T	1.25mm +/-0.2mm
B	0.20mm Min.
G	0.50mm Min.

## Temperature Characteristic

X8L (-55 to 150 degC +15,-40%)

## Rated Voltage

1E(25Vdc)

## Capacitance

1.5uF

## Capacitance Tolerance

K (+/-10%)

## Dissipation Factor

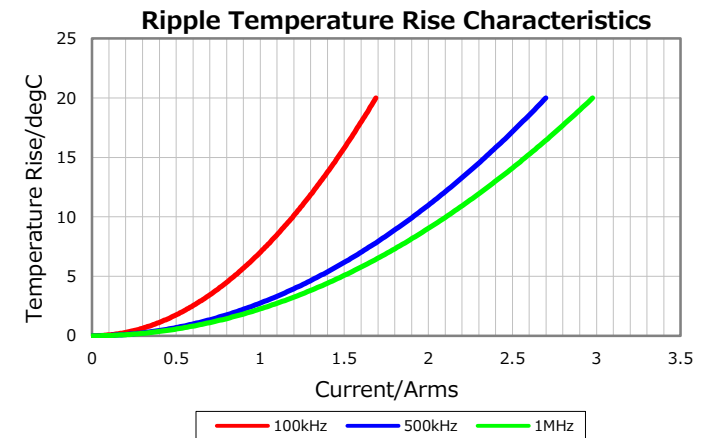
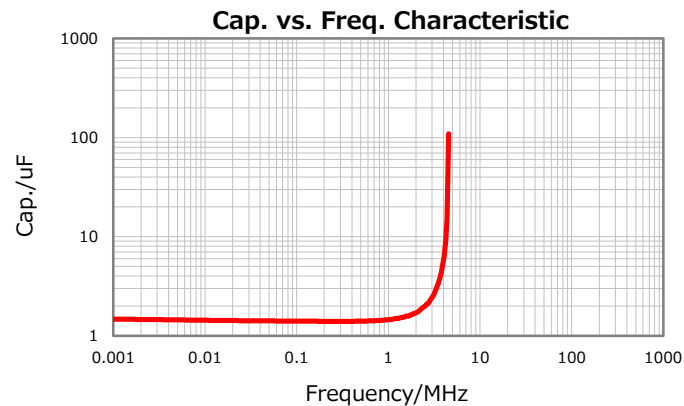
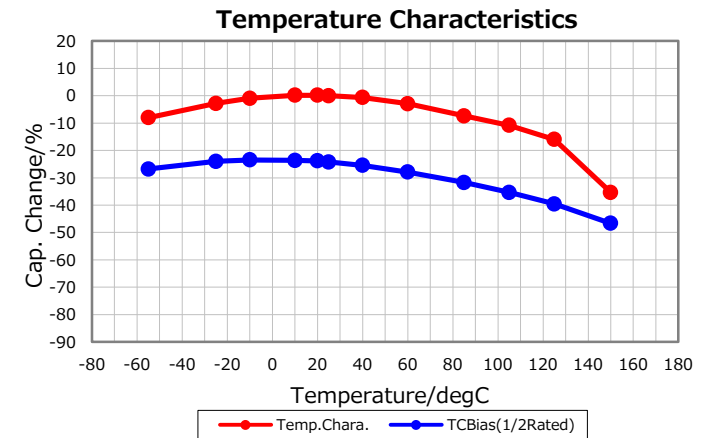
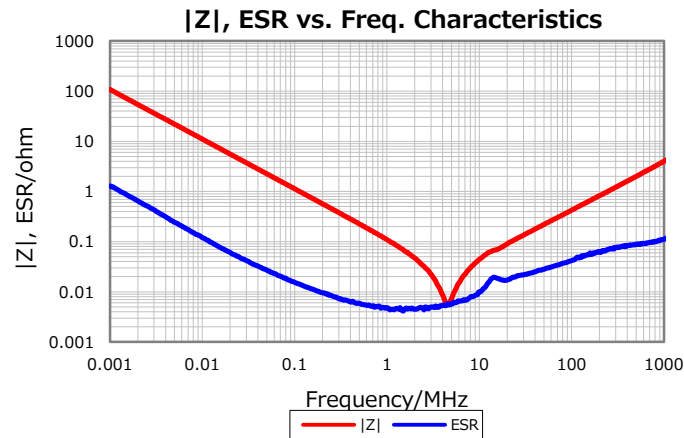
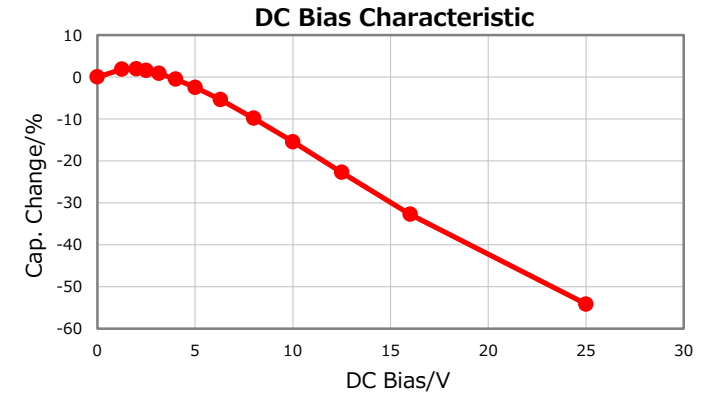
5% Max.

## Insulation Resistance

333Mohm Min.

## AEC-Q200

Yes



Characterization Sheet ( Multilayer Ceramic Chip Capacitors )



All specifications are subject to change without notice.

June 19, 2017