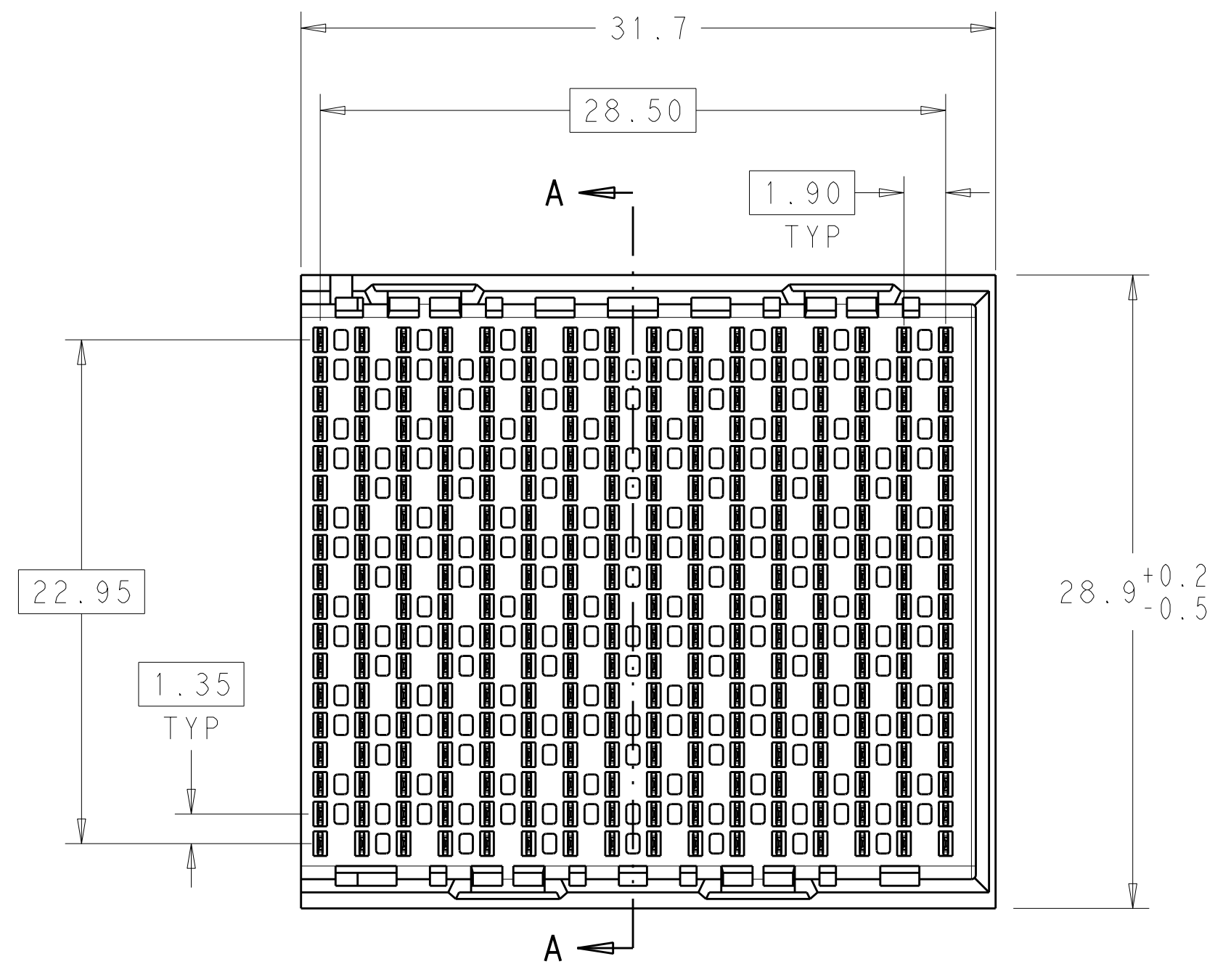
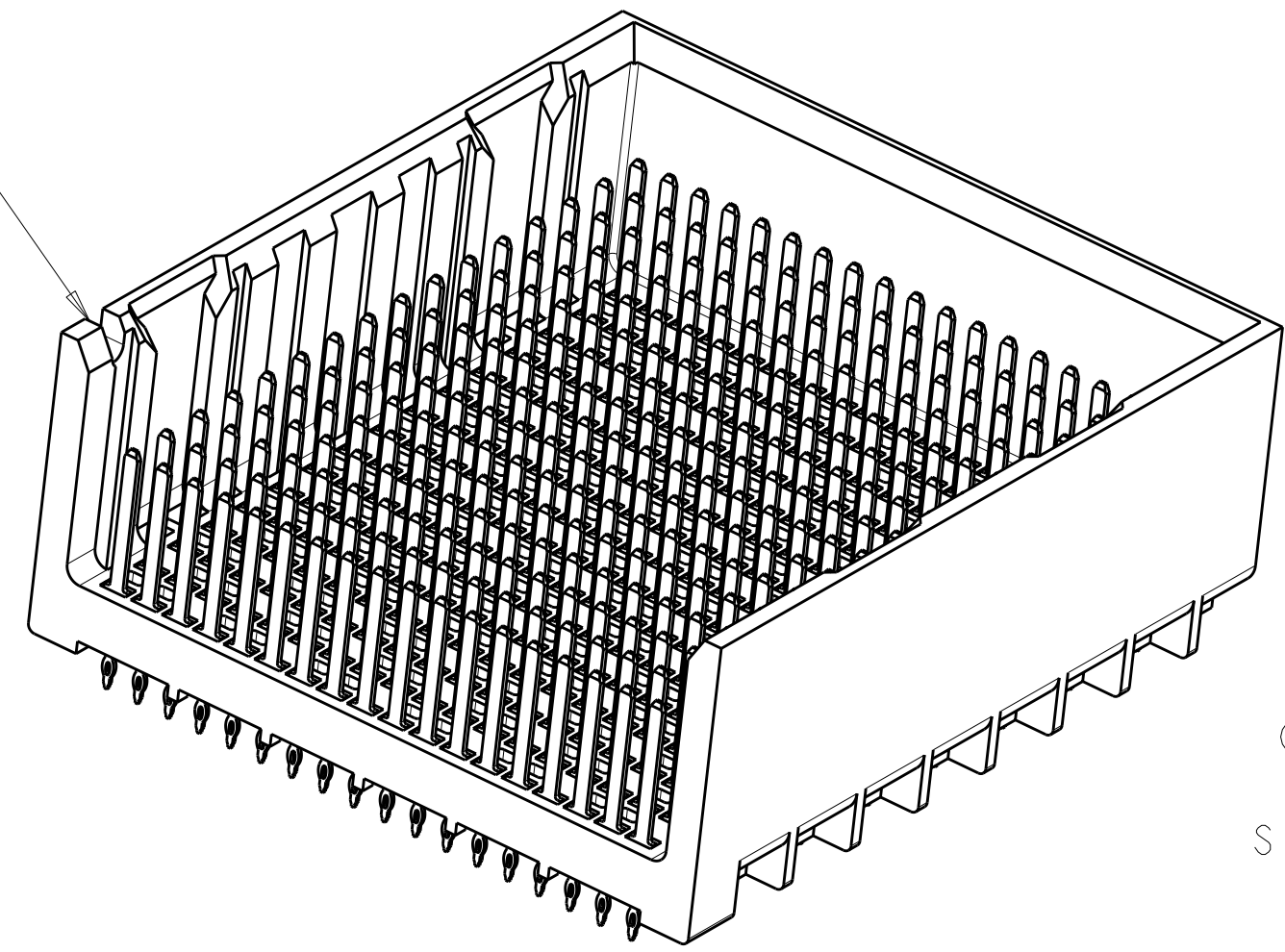


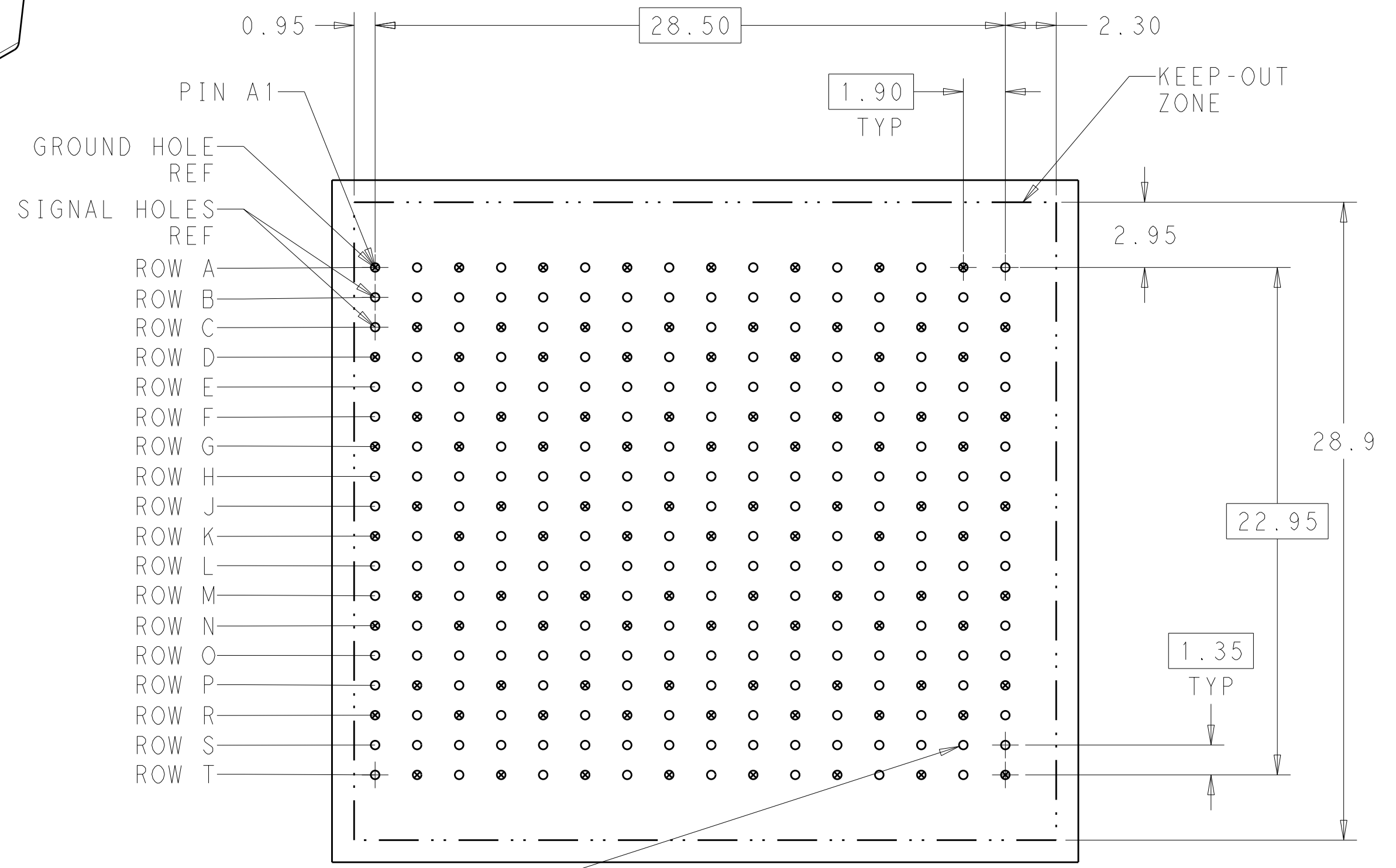
LOC		DIST		REVISIONS			
AD	00	P	LTB	DESCRIPTION	DATE	DWN	APVD
		B		REVISED PER ECO-11-025276	04JAN12	KH	DY



NOTCH DESIGNATES ROW A

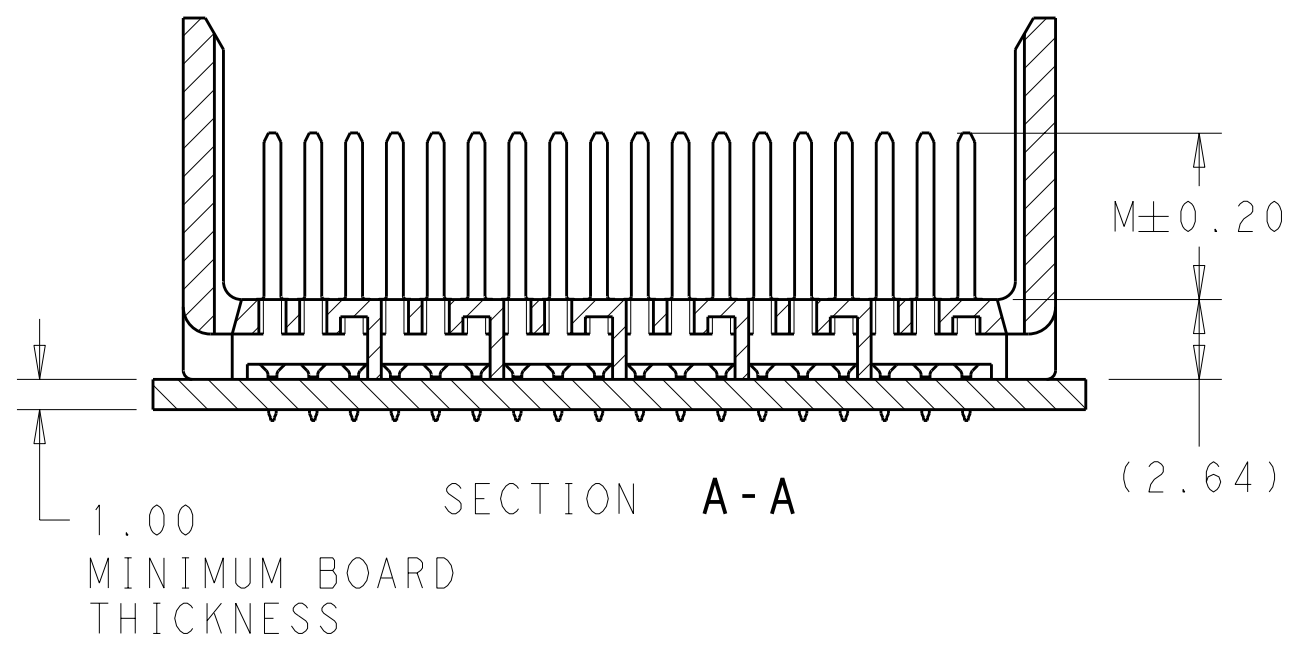
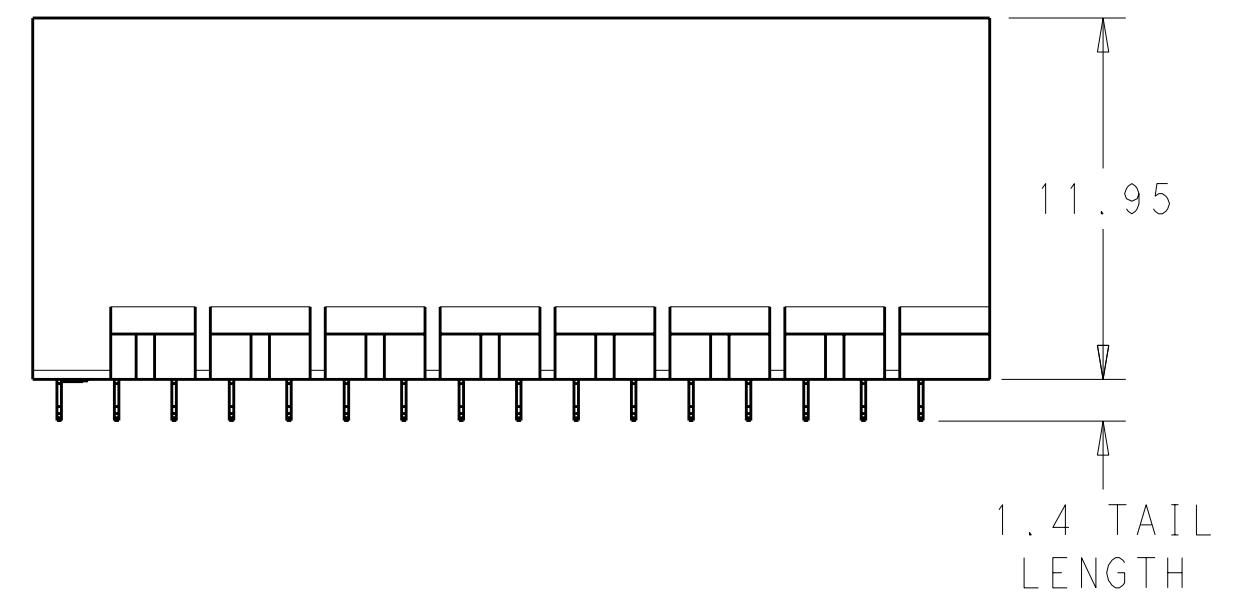


- 1 MATERIAL:
HOUSING: LCP, GLASS FILLED, UL94V-0.
TERMINALS: HIGH PERFORMANCE COPPER ALLOY.
- 2 FINISH:
30μ" MIN GOLD IN CONTACT AREA. SELECTIVE TIN ON PCB TAILS, NICKEL OVERALL.
- 3 FINISH:
30μ" MIN GOLD IN CONTACT AREA. SELECTIVE TIN-LEAD ON PCB TAILS, NICKEL OVERALL.



288X $\varnothing 0.39 \pm 0.05$
 $\varnothing 0.10$
 PLATED THRU HOLE

UNGUIDED BACKPLANE HOLE PATTERN (CONNECTOR SIDE)



THIS DRAWING IS A CONTROLLED DOCUMENT.		DWN J. K. SHOBER 25JAN2011	TE Connectivity
DIMENSIONS: mm		CHK J. EABY 25JAN2011	
TOLERANCES UNLESS OTHERWISE SPECIFIED:		APVD J. EABY 25JAN2011	NAME
0 PLC ±		PRODUCT SPEC	IMPACT, 6 PAIR, 16 COLUMN, HEADER
1 PLC ±0.25		APPLICATION SPEC	UNGUIDED, RIGHT END WALL
2 PLC ±0.13		SIZE CAGE CODE DRAWING NO	SIGNAL MODULE, 0.39 PTH
3 PLC ±		RESTRICTED TO	
4 PLC ±		WEIGHT	A1100779C=2007903
ANGLES ±		CUSTOMER DRAWING	SCALE 4:1 SHEET 1 OF 2 REV B
FINISH SEE TABLE			

THIS DRAWING IS UNPUBLISHED. RELEASED FOR PUBLICATION 20
 © COPYRIGHT 20 . . . ALL RIGHTS RESERVED.

LOC	DIST	REVISIONS					
AD	00	P	LTG	DESCRIPTION	DATE	DWN	APVD
		-	-	SEE SHEET 1	-	-	-

	5.5	2007903-6
	4.9	2007903-5
	4.5	2007903-4
	5.5	2007903-3
	4.9	2007903-2
	4.5	2007903-1
FINISH	DIM M	PART NUMBER

REFER TO WWW.TE.COM
FOR PRODUCT AVAILABILITY

DIMENSIONS:		TOLERANCES UNLESS OTHERWISE SPECIFIED:		DWN		APVD		NAME	
mm		9 PLC	±	J. K. SHOBER	25JAN2011	J. EABY	25JAN2011	IMPACT, 6 PAIR, 16 COLUMN, HEADER	
		1 PLC	±0.25					UNGUIDED, RIGHT END WALL	
		3 PLC	±0.13					SIGNAL MODULE, 0.39 PTH	
		5 PLC	±					SIZE CAGE CODE DRAWING NO RESTRICTED TO	
		4 PLC	±					A100779C=2007903	
		ANGLES	±					SCALE 5:1 SHEET 2 OF 2 REV B	
MATERIAL	FINISH	SEE TABLE		CUSTOMER DRAWING					