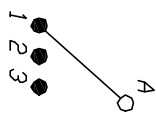
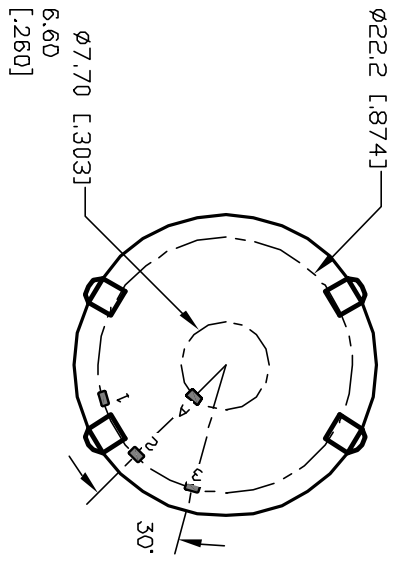
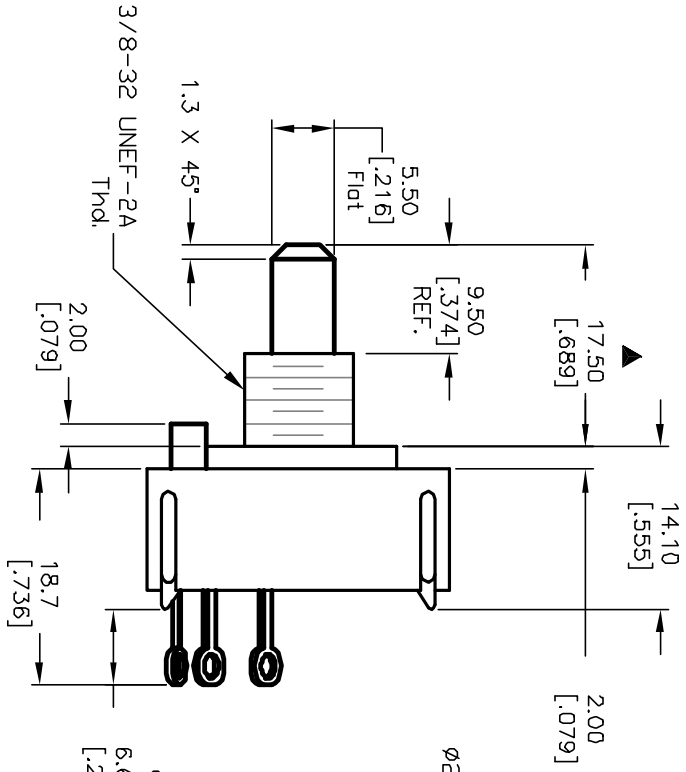
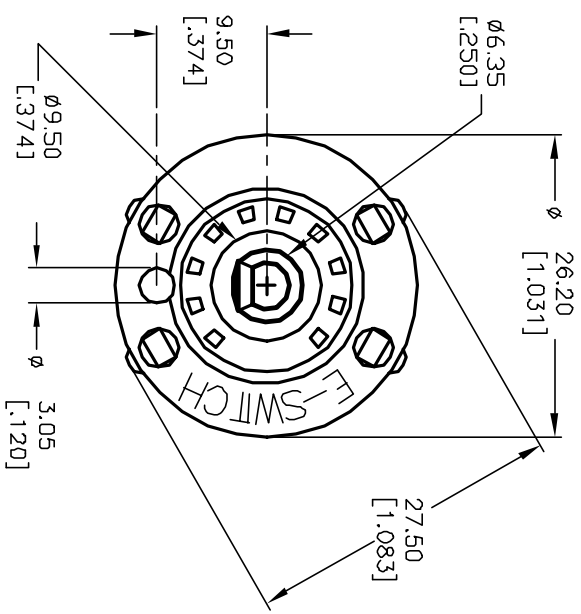
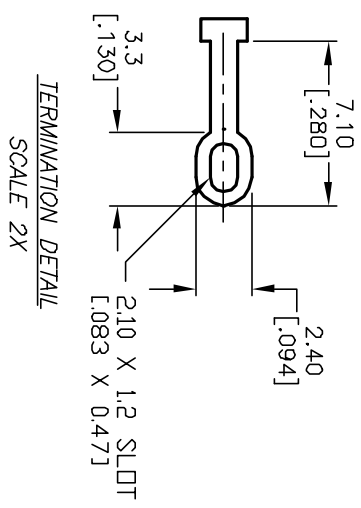


NOTES:

1. ALL DIMENSION IN MM [INCH]
2. GENERAL TOLERANCE: X.X=±0.4  
X.XX=±0.25
3. TERM. NOS. FOR REF. ONLY
4. CONTACT RATING SWITCHING: 150mA, 250V AC/DC  
350mA, 110V AC/DC
5. CONTACT RATING (NON-SWITCHING) 5A
6. OPERATING FORCE: 425±100 CM/STANDARD
7. OPERATING TEMP: -30° to 85°C
8. CIRCUIT SP: 3 POSITIONS, 30° INDEX
9. DIELECTRIC STRENGTH 1000V RMS min. @ SEA LEVEL
10. DESIGNATE MAJOR DIMENSIONS
11. SUPPLIED HARDWARE: LOCK NUT AND WASHER NOT SHOWN.



CONTACT CONFIGURATION  
Timing: Non-Shorting (BBM)



B		12356	REV DESC PER NEW CATALOG	11/22/02	CJB	TITLE		SCALE	DATE	DR	DWG	REV
A		11301	RELEASED FOR PRODUCTION	3/14/01	CJB	KC-13-A (9.5mm)-01-N-L-S		1.5:1	3/14/01	CJB	G510713	B
REV.		ECN No.	DESCRIPTION	DATE	CHKD							
<p>THE INFORMATION CONTAINED IN THIS DOCUMENT IS PROPRIETARY TO E-SWITCH AND IS NOT TO BE COPIED OR TRANSFERRED</p>												

**E-SWITCH®**