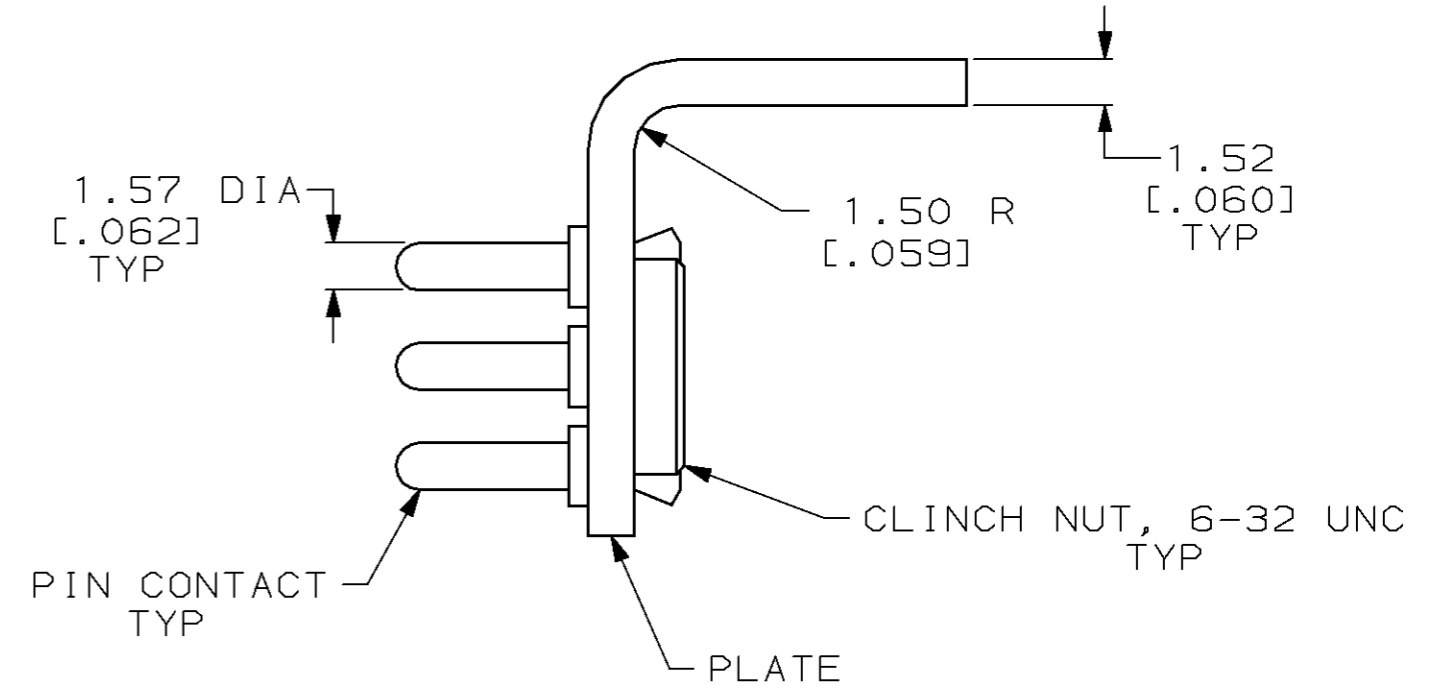
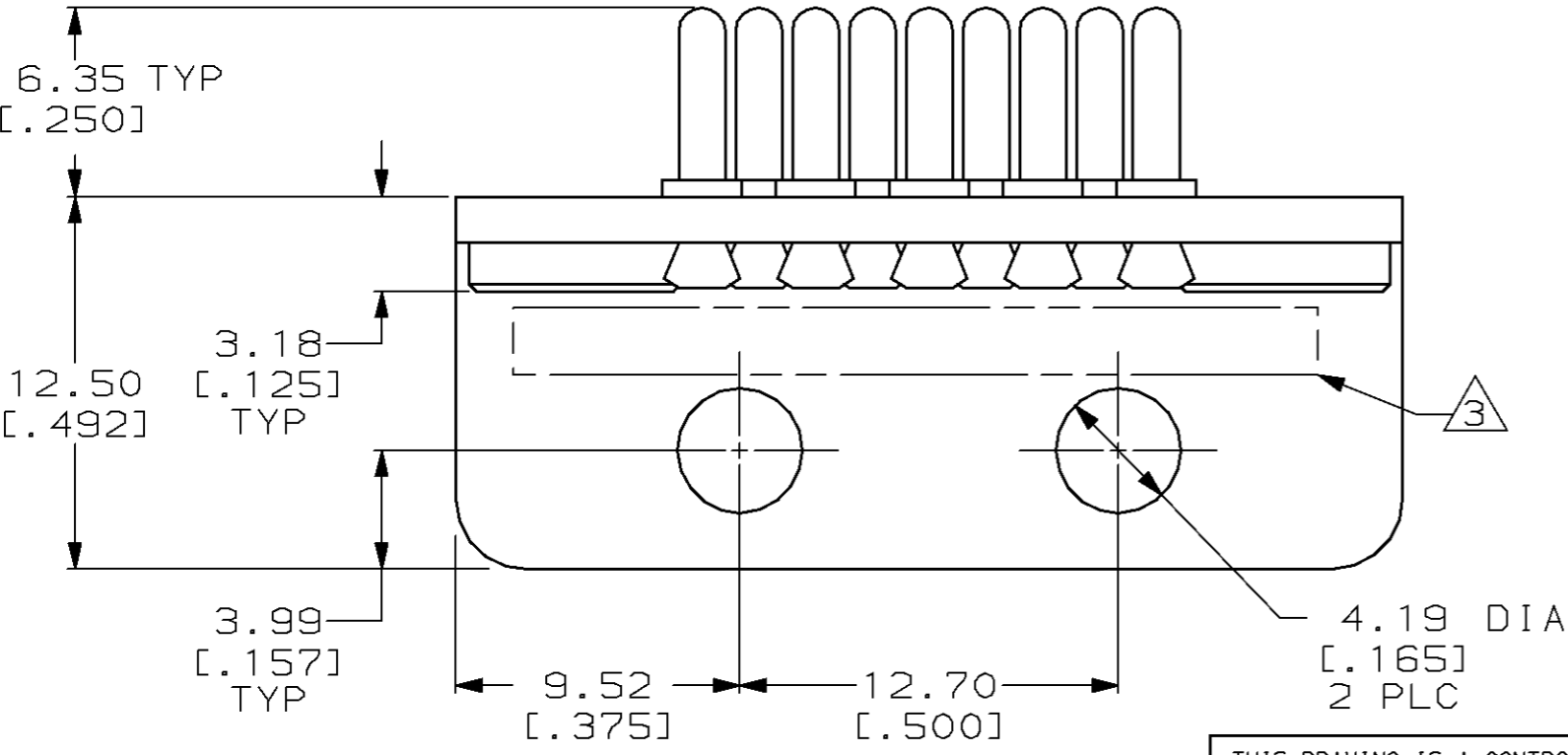
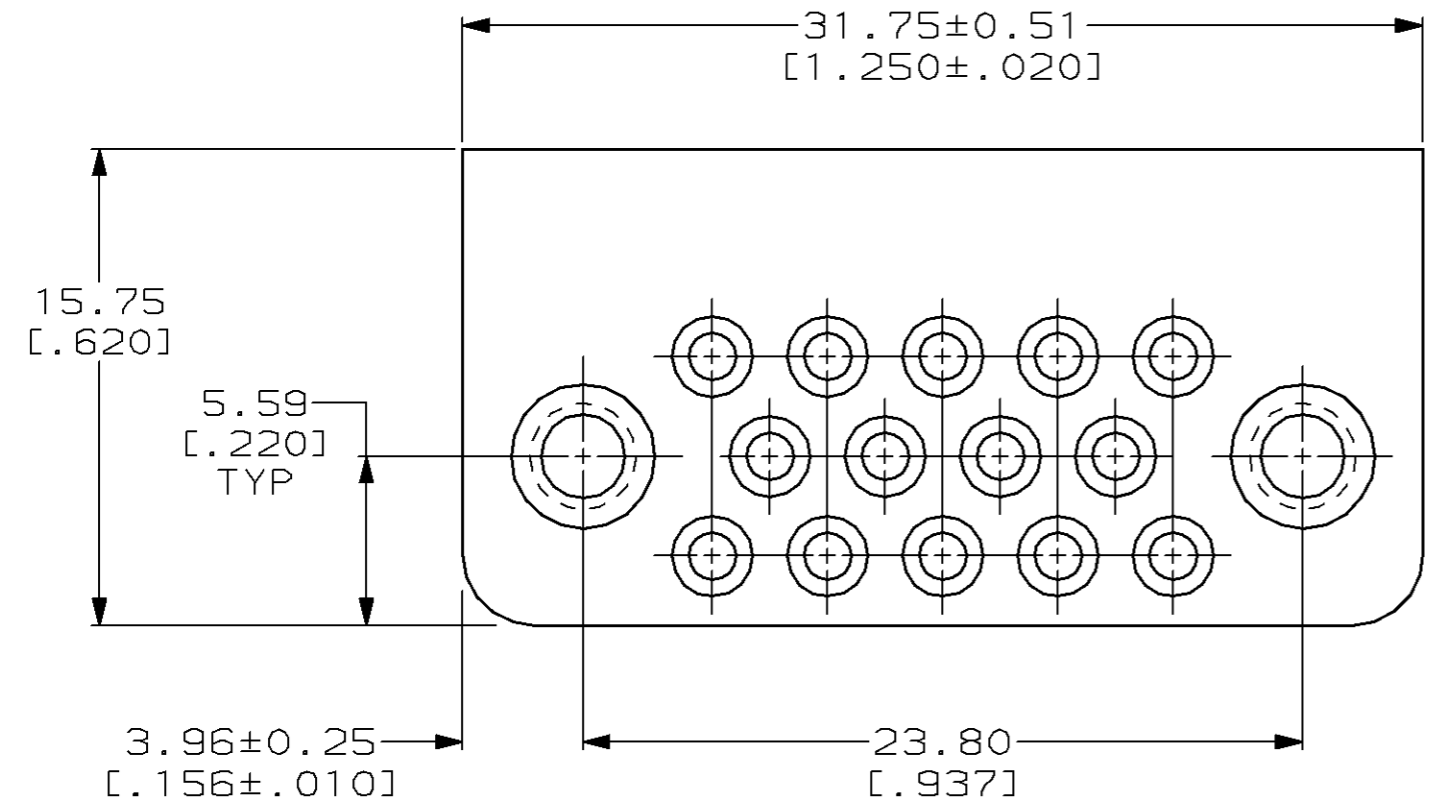


THIS DRAWING IS UNPUBLISHED. RELEASED FOR PUBLICATION ,19 .
 © COPYRIGHT 19 BY AMP INCORPORATED. ALL RIGHTS RESERVED.

LOC	DIST	REVISIONS			
P	LTR	DESCRIPTION	DATE	DWN	APVD
FT	8	B	REDRAWN W/O CHANGE PER EC 0020-292-96	06 AUG 96	-



- ① PIN CONTACT: BRONZE
 PLATE: BRASS
 CLINCH NUT: STAINLESS STEEL
- ② PIN CONTACT: 0.76µm [.000030] MIN GOLD OVER
 1.27µm [.000050] MIN NICKEL.
 PLATE: 3.81µm [.000150] MIN TIN OVER
 1.27µm [.000050] MIN NICKEL.
 CLINCH NUT: PASSIVATED
- ③ AMP, PART NO & DATE CODE STAMPED IN
 THIS AREA ON OPPOSITE SIDE.

203540-1
 PART NUMBER

THIS DRAWING IS A CONTROLLED DOCUMENT.		DWN B. CARBO 06 AUG 96	AMP AMP Incorporated Harrisburg, PA 17105-3608												
DIMENSIONS: mm [INCHES]		CHK R. STONE 08 AUG 96													
TOLERANCES UNLESS OTHERWISE SPECIFIED:		APVD G. STEINHAEUER 22 AUG 96	NAME GROUNDING CONNECTOR ASSEMBLY, 14 POSITION, M SERIES												
<table border="1"> <tr><td>0 PLC</td><td>±-</td></tr> <tr><td>1 PLC</td><td>±-</td></tr> <tr><td>2 PLC</td><td>±0.25 [.010]</td></tr> <tr><td>3 PLC</td><td>±-</td></tr> <tr><td>4 PLC</td><td>±-</td></tr> <tr><td>ANGLES</td><td>±-</td></tr> </table>		0 PLC	±-	1 PLC	±-	2 PLC	±0.25 [.010]	3 PLC	±-	4 PLC	±-	ANGLES	±-	PRODUCT SPEC -	SIZE A3
0 PLC	±-														
1 PLC	±-														
2 PLC	±0.25 [.010]														
3 PLC	±-														
4 PLC	±-														
ANGLES	±-														
MATERIAL ①		APPLICATION SPEC -	CAGE CODE 00779												
FINISH ②		WEIGHT -	DRAWING NO C-203540												
		CUSTOMER DRAWING	SCALE 4:1 SHEET 1 OF 1 REV B												