

THIS DRAWING IS UNPUBLISHED. RELEASED FOR PUBLICATION 1997

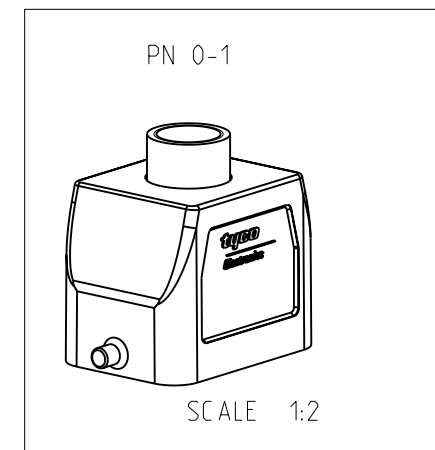
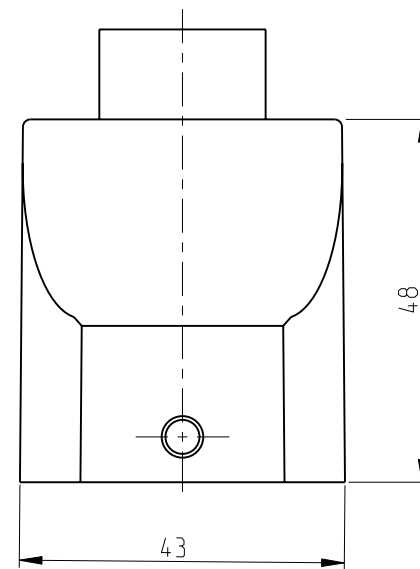
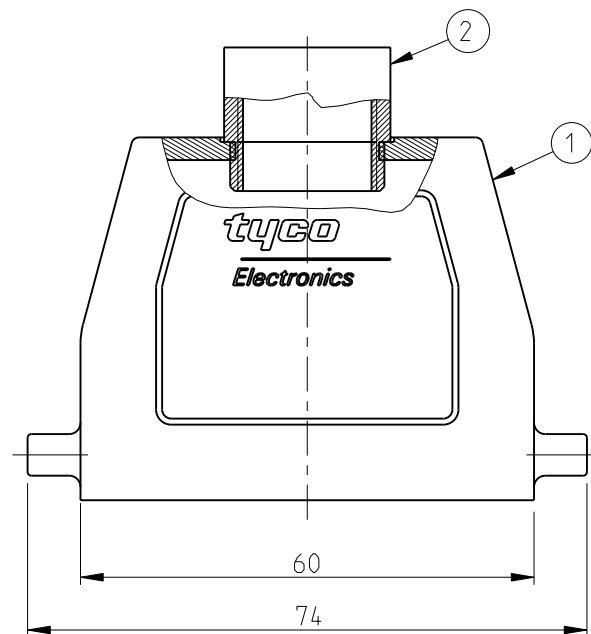
© COPYRIGHT 1997 BY TYCO ELECTRONICS CORPORATION. ALL RIGHTS RESERVED.

LOC	DIST	REVISIONS				
P	LTR	DESCRIPTION	DATE	DWN	APVD	
A1						
	A2	Released as per ECR-07-030416	17.12.07	SP	TS	

NOTES

- 1 Material: Housing: Aluminium diecasting alloy
- 2 Surface:- Varnish-Grey
- 3 Varnish on the inside not necessary
- 4 Packaging  
Packaging quantity: 5 pieces in a box

PN 0-1



QTY	DESCRIPTION	MATERIAL	SURFACE	COLOR	ITEM NO	NOTES
2	Adapter PG13	Brass	Nickle plated	-	2	-
1	HB.6.Hood	Aluminium	-	Grey	1	-

ORDERING TEXT  
HB.6.ST0.1.13.Z-so

<small>THIS DRAWING IS A CONTROLLED DOCUMENT FOR TYCO ELECTRONICS CORPORATION IT IS SUBJECT TO CHANGE AND THE CONTROLLING ENGINEERING ORGANIZATION SHOULD BE CONTACTED FOR THE LATEST REVISION.</small>	
DIMENSIONS: mm	TOLERANCES UNLESS OTHERWISE SPECIFIED: n-ISO 8015 n-ISO 2768-mH-E n-DIN 16901-120 0 PLC ± 1 PLC ± 2 PLC ± 3 PLC ± 4 PLC ± ANGLES ±
	MATERIAL FINISH

DWN	Schneider	27.05.02	Tyco Electronics,AMP,GmbH D-53819,Neunkirchen,Germany
CHK	Schweiger	27.05.02	
APVD			
NAME			Hood
PRODUCT SPEC			HB.6.ST0.1.13.Z
APPLICATION SPEC			
SIZE	CAGE CODE	DRAWING NO	RESTRICTED TO
A3	00779	© 1102065	
CUSTOMER DRAWING			SCALE 1:1 SHEET 1 OF 1 REV A2