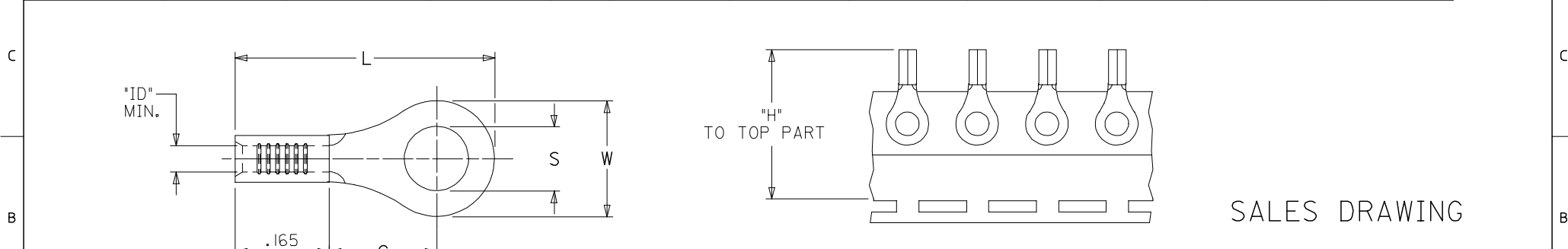


| | 10 | 9 | 8 | 7 | 6 | 5 | 4 | 3 | 2 | 1 | | |
|---|-----------------------------|------------|------------------------------|-------------|--------------|---------------------|--------------|--------------|---------------|--------------|--------------------|-------------------|
| | MATERIAL NO. LOOSE PIECE | ENG. NO. | MATERIAL NO. TAPE MOUNTED | ENG. NO. | STUD SIZE | "S" ±.003/(0.08) | "W" MAX. | "C" MIN. | "L" MAX. | "ID" MIN. | STOCK THICKNESS | "H" ±.020/0.51 |
| F | 190690027 | AA-120-02 | 190690028 | AA-120-02T | 2 | .094/(2.39) | .235/(6.00) | .157/(3.99) | .484/(12.29) | .062/(1.57) | .028/(0.71) | 1.155/(29.34) |
| | 190690029 | AA-120-04 | 190690030 | AA-120-04T | 4 | .119/(3.02) | | | | | | |
| | 190690031 | AA-120-06 | 190690032 | AA-120-06T | 6 | .146/(3.71) | | | | | | |
| | 190690033 | AA-121-06 | 190690034 | AA-121-06T | 6 | .146/(3.71) | | | | | | |
| | 190690035 | AA-121-08 | 190690036 | AA-121-08T | 8 | .173/(4.39) | | | | | | |
| | 190690037 | AA-121-10 | 190690038 | AA-121-10T | 10 | .198/(5.03) | | | | | | |
| | 190690039 | AA-121-209 | 190690475 | AA-121-209T | 209 | .209/(5.18) | .322/(8.18) | .270/(6.86) | .641/(16.28) | .062/(1.57) | .028/(0.71) | |
| E | 190690040 | AA-122-10 | 190690041 | AA-122-10T | 10 | .198/(5.03) | | | | | | |
| | 190690042 | AA-122-14 | 190690044 | AA-122-14T | 14 | Ⓢ.265/(6.71) | .477/(12.11) | .386/(9.80) | .835/(21.21) | .062/(1.57) | .028/(0.71) | |
| | 190690045 | AA-122-56 | 190690046 | AA-122-56T | 56 | .328/(8.33) | | | | | | |
| | 190690047 | AA-126-10 | ----- | ----- | 10 | Ⓢ.198/(5.03) | .544/(13.82) | .552/(14.02) | 1.034/(26.26) | .055/(1.40) | .031/(0.79) | |
| | 190690048 | AA-126-14 | 190690128 | AA-126-14T | 14 | Ⓢ.265/(6.71) | | | | | | |
| | 190690051 | AA-126-56 | ----- | ----- | 56 | .328/(8.33) | .264/(6.70) | .240/(6.10) | .582/(14.78) | .062/(1.57) | .028/(0.71) | |
| D | 190690049 | AA-126-38 | 190690050 | AA-126-38T | 38 | .390/(9.91) | | | | | | |
| | 190690052 | AA-132-04 | 190690053 | AA-132-04T | 4 | .119/(3.02) | .283/(7.20) | .240/(6.10) | .591/(15.00) | .062/(1.57) | .028/(0.71) | |
| | 190690054 | AA-132-06 | 190690055 | AA-132-06T | 6 | .146/(3.71) | | | | | | |
| | 190690056 | AA-132-08 | 190690057 | AA-132-08T | 8 | .146/(3.71) | .197/(5.00) | .173/(4.40) | .490/(12.40) | .055/(1.40) | .031/(0.79) | |
| | 190690061 | AA-133-10 | 190690062 | AA-133-10T | 10 | .198/(5.03) | | | | | | |
| | 190690024 | AA-1111-02 | 190690191 | AA-1111-02T | 2 | .094/(2.39) | .119/(3.02) | | | | | |
| | 190690025 | AA-1111-04 | 190690026 | AA-1111-04T | 4 | .119/(3.02) | | | | | | |



SALES DRAWING

NOTE(S):
 1. MATERIAL: COPPER.
 2. PLATING: ELECTRO-TIN.
 3. ALL DIMENSIONS IN INCHES/(MM).
 WIRE SIZE:
 22-18 AWG
 0.25-1.5 MM²

| | | | | | | |
|--|-----------------|--|------------------------|---|---|------------------------|
| .265 DIM WAS .256 EC NO: ETC2006-0015 DRWNG: JYR/CK 2005/07/22 CHKD: JPAW/CK 2005/07/22 APPR: JPAW/CK 2005/07/25 | QUALITY SYMBOLS | GENERAL TOLERANCES (UNLESS SPECIFIED) | DIMENSION STYLE IN/MM | SCALE --- | DESIGN UNITS INCH | THIRD ANGLE PROJECTION |
| | ▽=0 | mm INCH | DRAWN BY DATE | TITLE | RING TONGUE TERMINAL KRIMPITE, 100 SERIES 22-18 AWG | |
| | ▽=0 | 4 PLACES ± --- ± --- | BDEROSS 2000/6/13 | | | |
| | REV | DESCRIPTION | ANGULAR ± --- ° | CHECKED BY DATE | MOLEX INCORPORATED | |
| | | 1 PLACE ± --- ± --- | JHACKNEY 2000/6/13 | | | |
| | | | APPROVED BY DATE | SD-19069-004 | | |
| | | | RDEROSS 2000/6/13 | | | |
| | | DRAFT WHERE APPLICABLE MUST REMAIN WITHIN DIMENSIONS | MATERIAL NO. SEE CHART | DOCUMENT NO. | SHEET NO. 1 OF 1 | |
| | | | SIZE B | THIS DRAWING CONTAINS INFORMATION THAT IS PROPRIETARY TO MOLEX INCORPORATED AND SHOULD NOT BE USED WITHOUT WRITTEN PERMISSION | | |