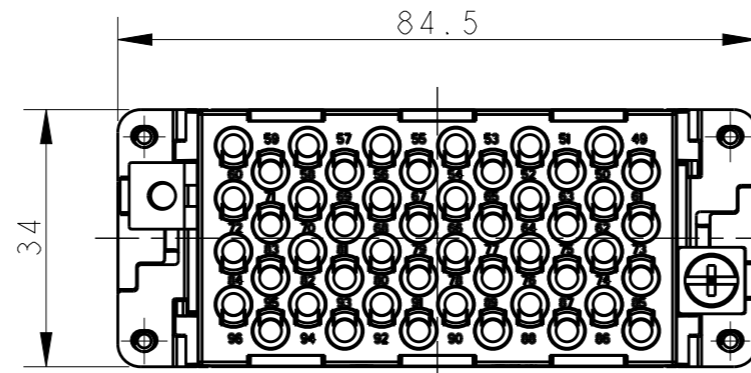
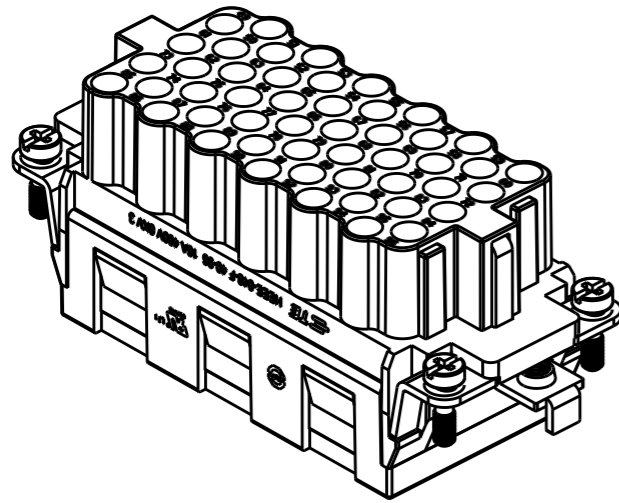


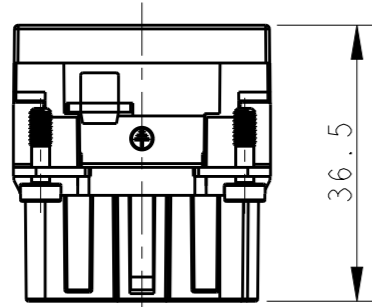
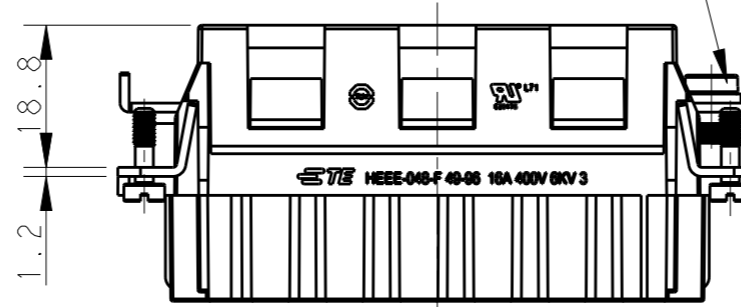
THIS DRAWING IS UNPUBLISHED. RELEASED FOR PUBLICATION 20  
 © COPYRIGHT 20 BY - ALL RIGHTS RESERVED.

REVISIONS

P	LTR	DESCRIPTION	DATE	DWN	APVD
	A	INITIAL	29JAN2016	YC	CW



M4 SCREW, RECOMMENDED  
TIGHTENING TORQUE 1.2Nm



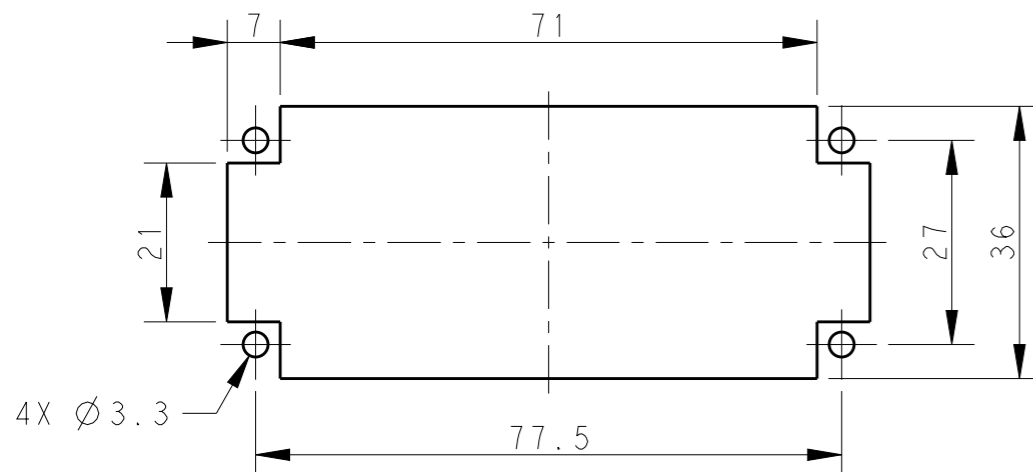
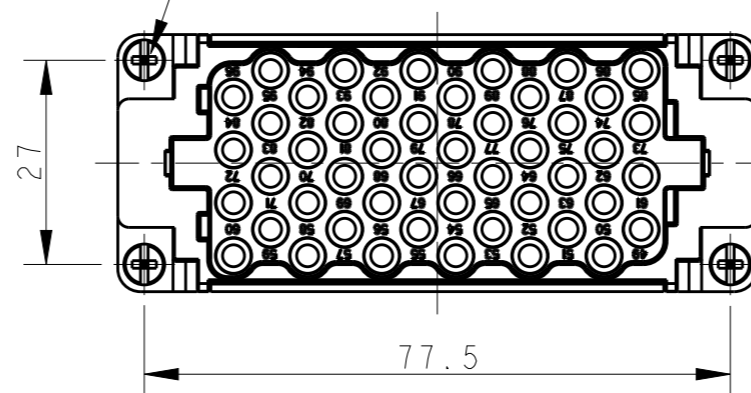
NOTES:

- TECHNICAL CHARACTERISTICS:  
 INSULATION MATERIAL: PC  
 RATED VOLTAGE: 400V  
 RATED CURRENT: 16A  
 INSULATION RESISTANCE:  $\geq 400M\Omega$   
 RATED IMPULSE VOLTAGE: 6KV  
 POLLUTION DEGREE: 3  
 FLAMMABILITY: UL94V-0  
 MATING CYCLES: 500 CYCLES  
 OPERATION TEMPERATURE:  $-40^{\circ}C \sim +125^{\circ}C$   
 WIRE RANGE:  $0.14mm^2 \sim 4mm^2$  (AWG26-AWG12)  
 CONTACT TYPE: CRIMP CONTACT
- CONTACTS NEED TO BE ORDERED SEPARATELY.  
 (ORDER No. REFER TO DRAWING: T20300X20XX000)

注释:


- 技术参数:  
 绝缘材料: PC  
 额定电压: 400V  
 额定电流: 16A  
 绝缘电阻:  $\geq 400M\Omega$   
 脉冲电压: 6KV  
 污染等级: 3  
 阻燃等级: UL94V-0  
 插拔次数: 500次  
 工作温度:  $-40^{\circ}C \sim +125^{\circ}C$   
 接线范围:  $0.14mm^2 \sim 4mm^2$  (AWG26-AWG12)  
 接线类型: 冷压接
- 端子需要单独订购.  
 (订货号参考图面: T20300X20XX000)

4X M3 SCREW, RECOMMENDED  
TIGHTENING TORQUE 0.5Nm



PANEL CUT FOR INSERTS FOR USE  
WITHOUT HOODS/ HOUSINGS

T2050962201-000	HEEE-048-F 49-96 HEEE-048母插 49-96
PART NUMBER 料号	PART DESCRIPTION 描述

THIS DRAWING IS A CONTROLLED DOCUMENT.		DWN 29JAN2016 YORK CHEN		 TE Connectivity	
DIMENSIONS: mm		CHK 29JAN2016 KYLE ZENG			
TOLERANCES UNLESS OTHERWISE SPECIFIED:		APVD 18DEC2014 CHRIS WANG		NAME HEEE-048-F 49-96	
0 PLC ±-		PRODUCT SPEC		108-137068	
1 PLC ±-		APPLICATION SPEC		114-137068	
2 PLC ±-		WEIGHT		-	
3 PLC ±-		Customer Drawing		SCALE 1:1	
4 PLC ±-		FINISH		SHEET 1 OF 1	
ANGLES ±-		-		REV A	
MATERIAL		-		RESTRICTED TO	
-		-		-	

SIZE	CAGE CODE	DRAWING NO	RESTRICTED TO
A3	00779	T2050962201000	-