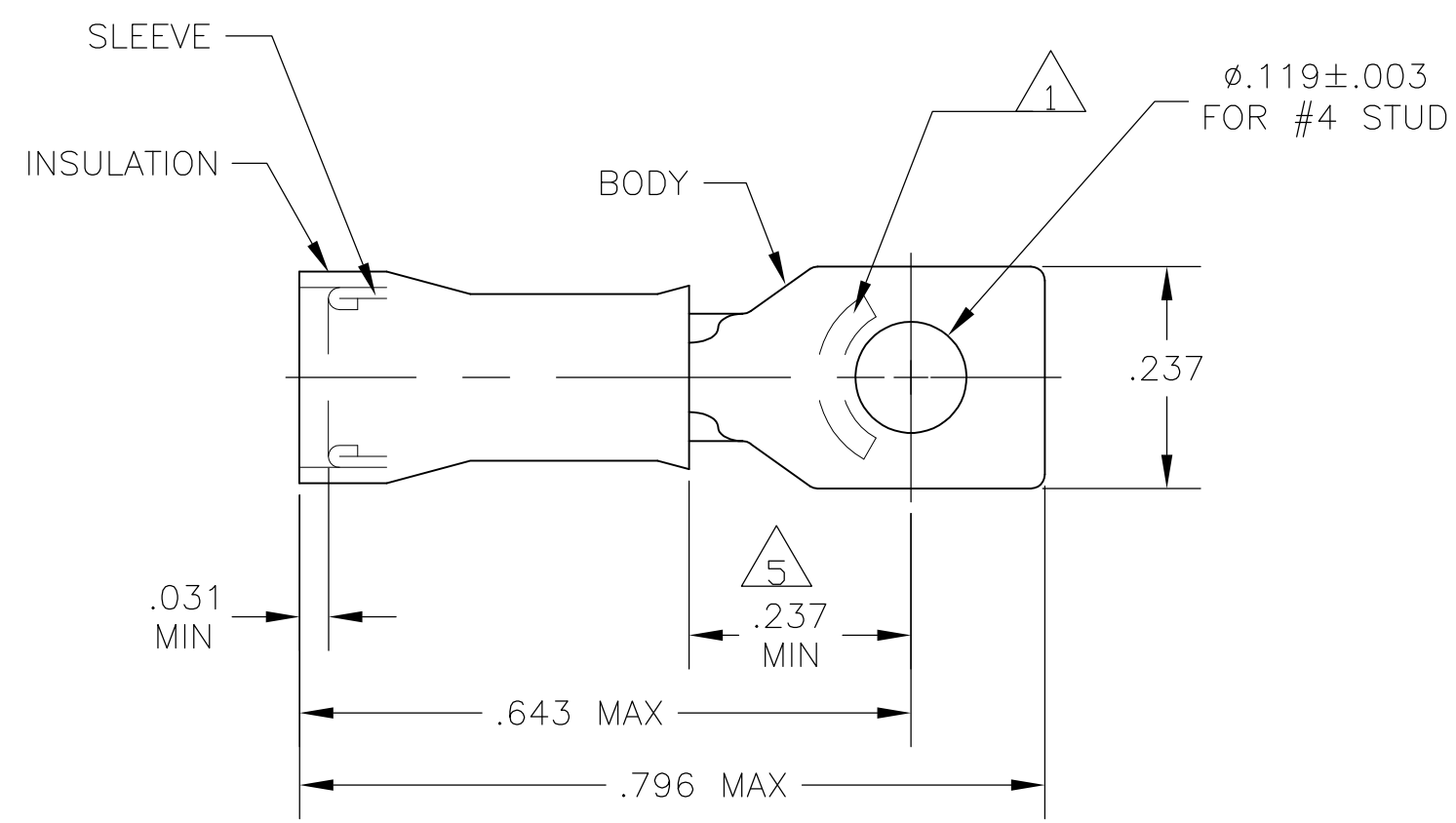


THIS DRAWING IS UNPUBLISHED. RELEASED FOR PUBLICATION  
 © COPYRIGHT BY TYCO ELECTRONICS CORPORATION. ALL RIGHTS RESERVED.

LOC	DIST	REVISIONS					
		P	LTR	DESCRIPTION	DATE	DWN	APVD
G	14		J2	REV PER ECR 10-000871	13JAN10	JR	TM

<b>AMP</b> WIRE RANGE	E13288 Listed	LR7189 Certified
22-16 AWG SOLID OR STRANDED	22-16 AWG SOLID OR STRANDED	22-16 AWG SOLID OR STRANDED



- 1 STAMP "AMP 22-18\*", APPROX AS SHOWN  
22-16 TERMINALS ARE STAMPED 22-18 IN  
ACCORDANCE WITH MILITARY SPEC AS7928,  
COMMERCIAL WIRE RANGE IS 22-16
- 2 WIRE INSULATION DIA: .105-.140
- 3 TONGUE MATERIAL THK: .031±.002
- 4 BODY & SLEEVE: CU PER ASTM B152  
BODY & SLEEVE: TIN PLATE .000100 MIN  
EXT THK PER ASTM B545  
INSULATION: NYLON PER ASTM D4066, COLOR - RED
- 5 APPLIES FROM EDGE OF METAL WIRE BARREL  
TO CENTER OF STUD HOLE.
- 6 MEETS MS17143-19, CLASS 1 & 2

500	LOOSE PIECE		2-327968-1
QTY	PACKAGE TYPE	MATERIAL FINISH	PART NO

<b>CUSTOMER SERVICE SYSTEMS</b>		MAX RECOMMENDED OPERATING TEMPERATURE: 105°C MAX
FOR ADDITIONAL PRODUCT INFORMATION OR COPIES OF DRAWINGS AND TECHNICAL DOCUMENTS	PRODUCT INFORMATION CENTER 1-800-522-6752	VOLTAGE RATING: 300 V MAX
FOR APPLICATION TOOLING INFORMATION	TOOLING ASSISTANCE CENTER 1-800-722-1111	CIRCULAR MIL AREA: 0.26-1.65mm² [509-3,260] STRANDED OR SOLID
FOR ORDER ENTRY	1-800-526-5142	THIS DRAWING IS A CONTROLLED DOCUMENT FOR AMP INCORPORATED. IT IS SUBJECT TO CHANGE AND THE CONTROLLING ENGINEERING ORGANIZATION SHOULD BE CONTACTED FOR THE LATEST REVISION.

THIS DRAWING IS A CONTROLLED DOCUMENT.	
DIMENSIONS: INCHES	TOLERANCES UNLESS OTHERWISE SPECIFIED:
	0 PLC ± - 1 PLC ± - 2 PLC ± - 3 PLC ± .008 4 PLC ± - ANGLES ± -
MATERIAL SEE TABLE	FINISH SEE TABLE

DWN JR RUTH 13JAN10		Tyco Electronics Corporation Harrisburg, Pa 17105-3608			
CHK T MICHIELUTTI 13JAN10		NAME TERMINAL, RING TONGUE, PIDG, WIRE SIZE: 22-16 AWG			
APVD T MICHIELUTTI 13JAN10	PRODUCT SPEC	SIZE	CAGE CODE	DRAWING NO	RESTRICTED TO
—	—	A3	00779	G-327968	—
APPLICATION SPEC	—	WEIGHT	—	CUSTOMER DRAWING	SCALE 5:1
—	—	—	—	—	SHEET 1 OF 1
—	—	—	—	—	REV J2