
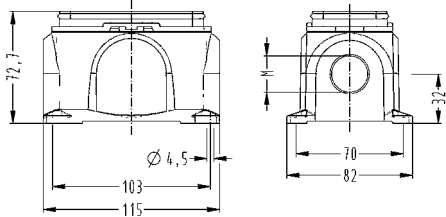



Identification	Cable entry	Part number	Drawing Dimensions in mm
<p>Han-Yellock®, Surface mounted housings, incl. Housings bulkhead mounting, side entry, screw locking</p> 	<p>1xM25 1xM32 1xM40 2xM25 2xM32 2xM40</p>	<p>11 12 600 1211 11 12 600 1212 11 12 600 1213 11 12 600 1215 11 12 600 1216 11 12 600 1217</p>	
<p>Han-Yellock®, Panel feed through housings, top entry</p> 	<p>2xM25</p>	<p>11 12 600 1711</p>	