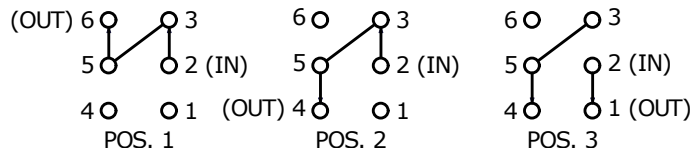
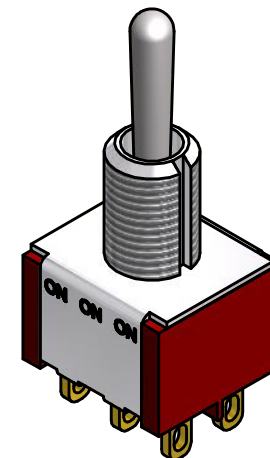
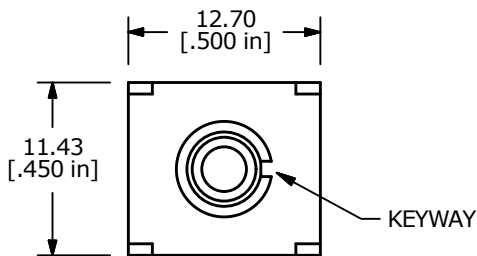
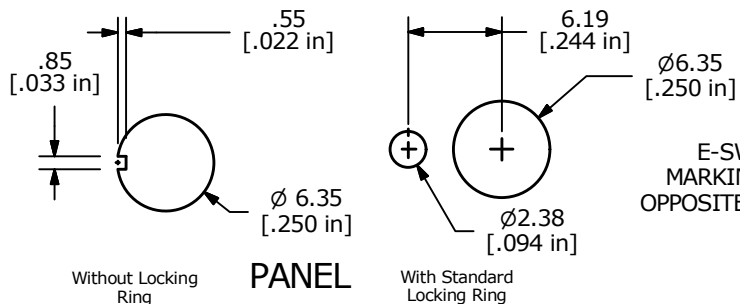


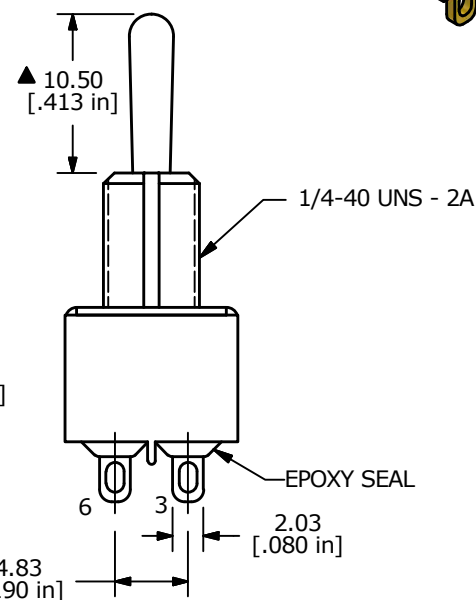
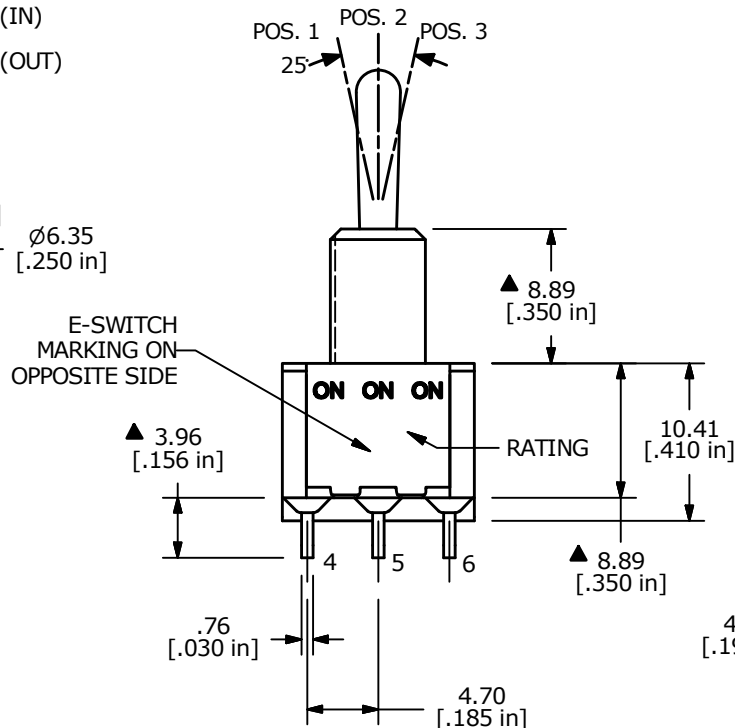
SWITCH FUNCTION		
POS. 1	POS. 2	POS. 3
ON	ON	ON
2-3, 5-6	2-3, 5-4	2-1, 5-4



DPDT 3 WAY CIRCUIT  
NOTE: JUMPER PIN 3 TO 5



PANEL



- NOTE:
- ALL DIMENSIONS IN MM [INCH]
  - GENERAL TOLERANCE: X.X=±0.4  
X.XX=±0.25
  - TERMINAL NUMBERS FOR REF ONLY
  - CONTACT MATERIAL: GOLD
  - RATING: 0.4VA MAX. @ 20 VAC OR VDC MAX.
  - CONTACT RESISTANCE: 10 Milli-OHMS MAX.
  - LIFE EXPECTANCY: 40,000 MAKE-AND-BREAK CYCLES AT FULL LOAD.
  - INSULATION RESISTANCE: 1,000 MEGA-OHM MIN.
  - DIELECTRIC STRENGTH: 1,000 V RMS @SEA LEVEL.
  - OPERATING TEMP.: -30°C to 85°C
  - ▲ DENOTES CRITICAL PARAMETER.
  - 2002/95/EC (ROHS) COMPLIANT
  - HARDWARE TO BE SHIPPED BULK  
T100000 - HEXNUT - QTY 2  
T100011 - LOCKWASHER - QTY 1  
T100015 - LOCKRING - QTY 1



B	22594	UPDATED PIN NUMBERING	11/17/16	MJR
REV	PCR NO	DESCRIPTION	DATE	BY

TITLE 100DP6T1B1M1REH				
SCALE 2:1	DATE 10/16/2009	DR BLR	DWG ST126064	REV B

THE INFORMATION CONTAINED IN THIS DOCUMENT IS PROPRIETARY TO E-SWITCH AND IS NOT TO BE COPIED OR TRANSFERRED