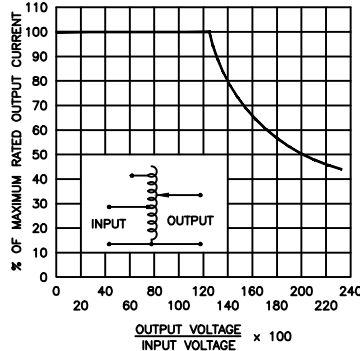
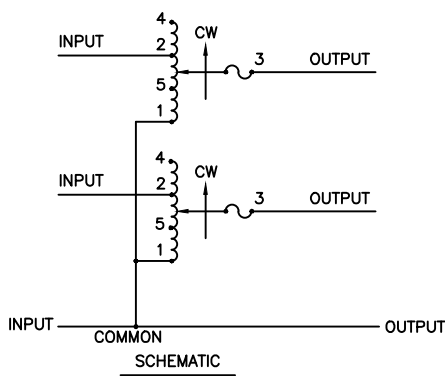
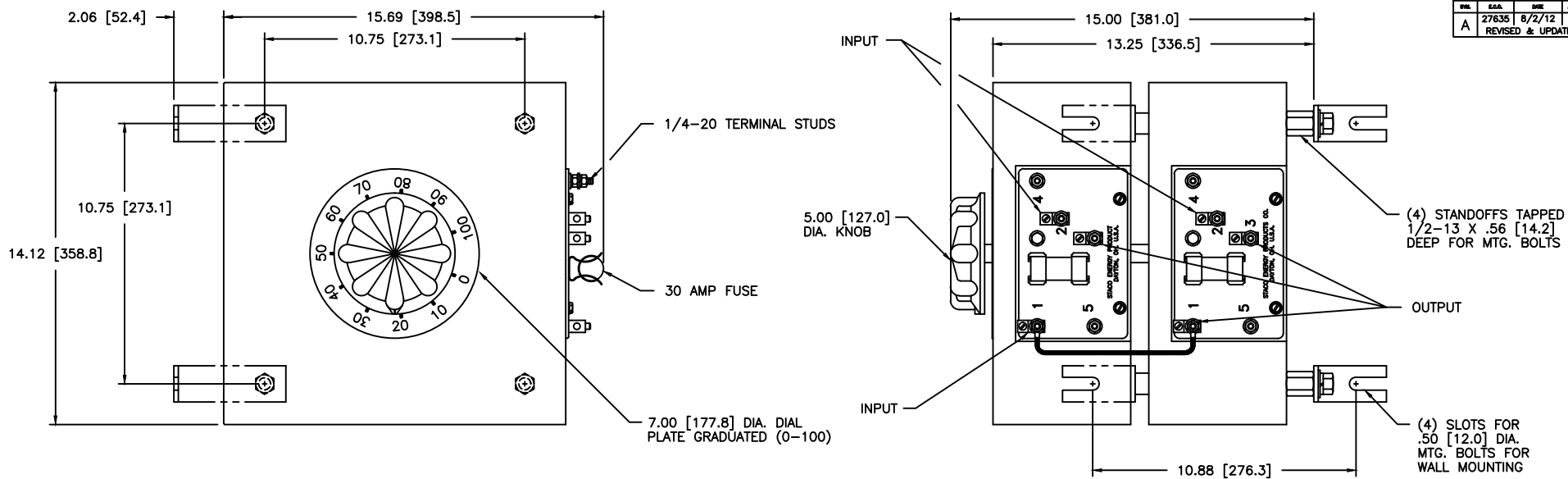


REV. NO.	031-7420		
REVISIONS			
REV.	DATE	BY	APP.
A	27/635	8/2/12	
REVISED & UPDATED			



**FIGURE A**  
 MAXIMUM OUTPUT CURRENT OF ANY DUAL INPUT VOLTAGE OR VOLTAGE DOUBLER UNIT OPERATED AT LOWER INPUT VOLTAGE.

\* MAXIMUM OUTPUT CURRENT IN OUTPUT VOLTAGE RANGE FROM 0 TO 25 PERCENT ABOVE LINE VOLTAGE. AT HIGHER OUTPUT VOLTAGES, OUTPUT CURRENT MUST BE REDUCED ACCORDING TO RATING CURVE (SEE FIGURE A).

++ MAXIMUM KVA AT MAXIMUM OUTPUT AND CORRESPONDING DE-RATED CURRENT. MAXIMUM KVA AT LOWER OUTPUT VOLTAGES MAY BE CALCULATED FROM RATING CURVE, (SEE FIGURE A).

V.D. = VOLTAGE DOUBLER.

SPECIFICATIONS								
WIRING	INPUT		OUTPUT			SHAFT ROTATION FOR INCREASE VOLTAGE	TERMINAL CONNECTIONS FOR INCREASING VOLTAGE AS VIEWED FROM ROTOR END	
	VOLTS	HERTZ	VOLTS	MAX. AMPS	MAX. KVA		INPUT	JUMPER
THREE PHASE OPEN DELTA	240	50/60	0-240	28	11.6	CW	4-1-4	3-1-3
			0-280	28	13.6	CW	2-1-2	3-1-3
	120	50/60	0-280	28-12 V.D.	5.8 <sup>†</sup>	CW	5-1-5	3-1-3

<small>THIS INFORMATION IS UNCLASSIFIED EXCEPT WHERE SHOWN OTHERWISE AND IS IN THE PUBLIC DOMAIN. IT IS THE PROPERTY OF STACO ENERGY PRODUCTS CO. WHICH REMAINS THE PROPERTY OF STACO ENERGY PRODUCTS CO. UNLESS OTHERWISE SPECIFIED. IT IS TO BE KEPT CONFIDENTIAL AND NOT TO BE DISCLOSED TO ANY OTHER PARTY WITHOUT THE WRITTEN PERMISSION OF STACO ENERGY PRODUCTS CO.</small>	<small>DESIGN BY</small> TIM RAU	<small>DATE</small> 12/13/95	<small>WEIGHT</small> 13.4 LBS.	<small>DATE CODE</small> 83008	<small>REV. NO.</small> D
<small>THE INFORMATION AND DESIGN DESCRIBED HEREIN ARE OFFERED BY STACO ENERGY PRODUCTS CO. AS A SERVICE TO OUR CUSTOMERS. STACO ENERGY PRODUCTS CO. MAKES NO WARRANTY, REPRESENTATION OR GUARANTEE OF ANY KIND, EXPRESS OR IMPLIED, REGARDING THE ACCURACY, COMPLETENESS, OR SUITABILITY OF THE INFORMATION OR DESIGN DESCRIBED HEREIN. THE USER SHALL BE RESPONSIBLE FOR OBTAINING NECESSARY PERMITS AND APPROVALS FROM ALL APPLICABLE REGULATORY AGENCIES.</small>	<small>SCALE</small> 5=1	<small>SHEET</small> 1 OF 1	<b>STACO ENERGY PRODUCTS CO.</b> <small>A COMPANY OF STACO ENERGY PRODUCTS CO.</small>		