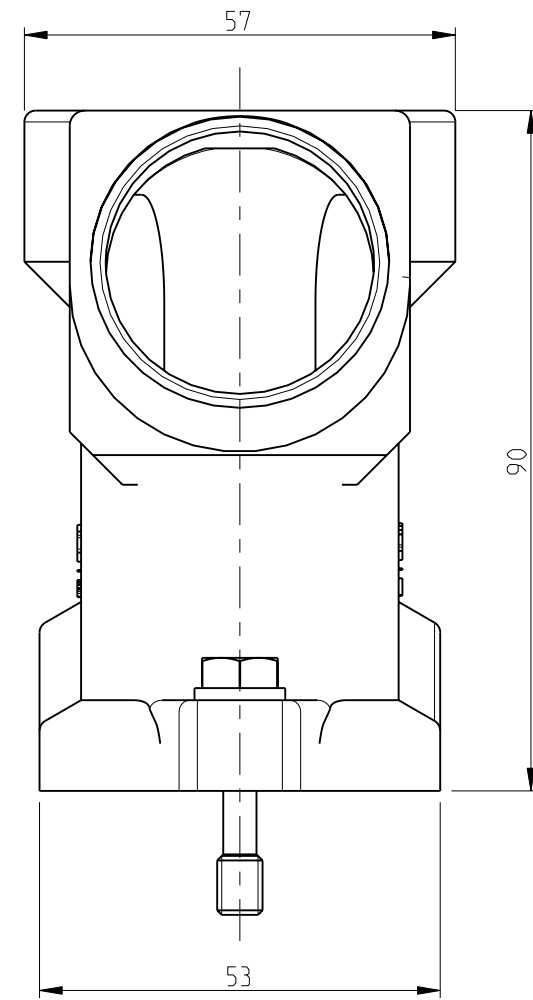
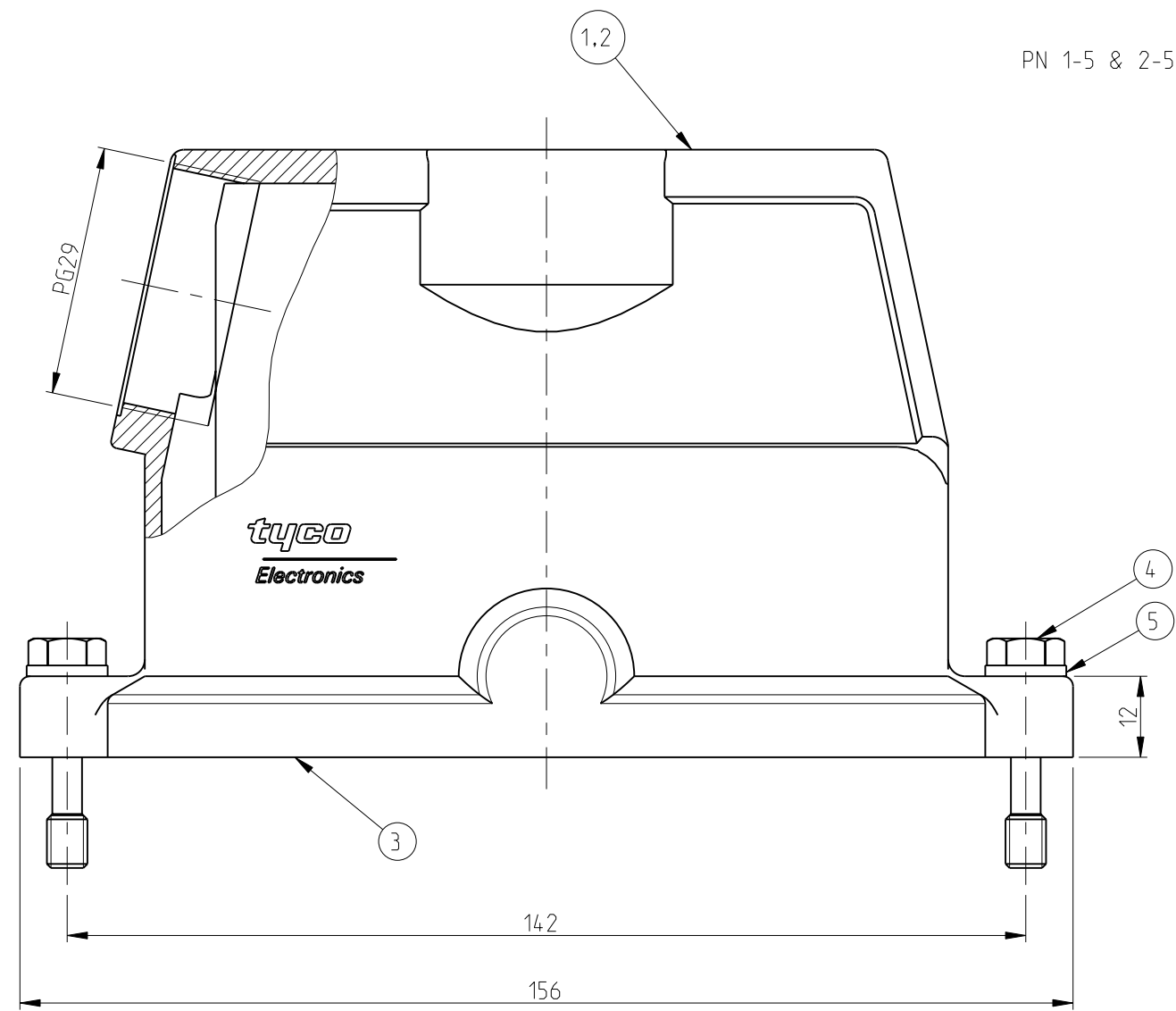
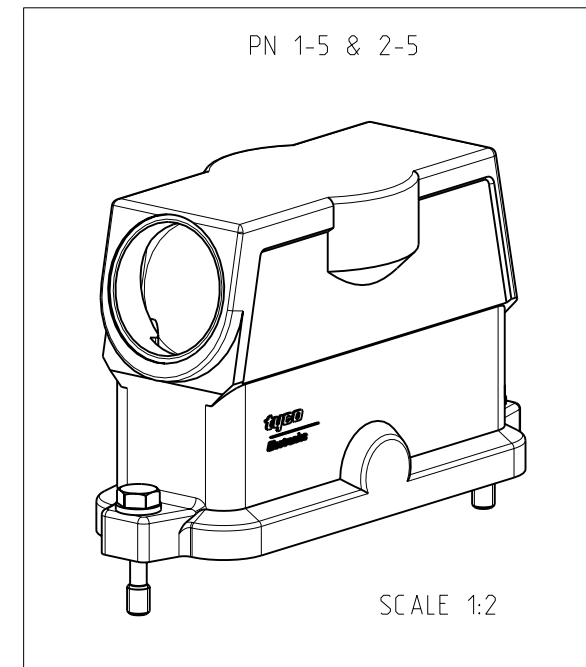


THIS DRAWING IS UNPUBLISHED. RELEASED FOR PUBLICATION .1997  
 © COPYRIGHT 1997 BY TYCO ELECTRONICS CORPORATION. ALL RIGHTS RESERVED.

LOC	DIST	REVISIONS					
		P	LTR	DESCRIPTION	DATE	DWN	APVD
A1	-	B2		Released as per ECR-07-030419	17.12.07	SP	TS



- NOTES
- 1 Material: Housing: Aluminium Diecasting Alloy  
Seals: Neoprene
  - 2 Surface:- varnish-grey  
Aluminium oxide+  
Varnish black
  - 3 Varnish on the inside not necessary
  - 4 Packaging quantity: 5 pieces in a box



QTY	DESCRIPTION	MATERIAL	SURFACE	COLOR	ITEM NO	REMARKS
2	Spring washer	Stainless steel	Blank		5	
2	Fixing screw	Stainless steel	Blank		4	
1	O-Ring Bg8	Neoprene	-	Black	3	
1	Hood HIP Bg8	Aluminium	Aluminium oxide	Black	2	
1	Hood HIP Bg8	Aluminium	-	Grey	1	
2-5	DESCRIPTION	MATERIAL	SURFACE	COLOR	ITEM NO	REMARKS
ORDERING TEXT						
HIP.24/64.STS.1.29.G						
HIP-K.24/64.STS.1.29.G						

<small>THIS DRAWING IS A CONTROLLED DOCUMENT FOR TYCO ELECTRONICS CORPORATION          IT IS SUBJECT TO CHANGE AND THE CONTROLLING ENGINEERING ORGANIZATION          SHOULD BE CONTACTED FOR THE LATEST REVISION.</small>		DWN Schneider 02.07.99 CHK Schneider 02.07.99 APVD - PRODUCT SPEC 108-74030 APPLICATION SPEC 114-74017 WEIGHT 540 g CUSTOMER DRAWING	Tyco Electronics AMP GmbH D-53819, Neunkirchen, Germany NAME Hood Size8 HIP.24/64.STS.1.29.G SIZE A2 CAGE CODE 00779 DRAWING NO C=1102660 RESTRICTED TO - SCALE 1:1 SHEET 1 OF 1 REV B2
---	--	--	---