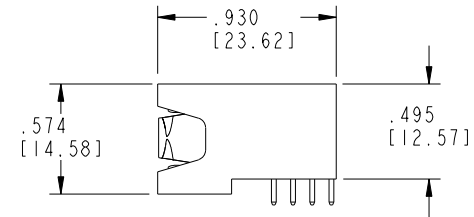
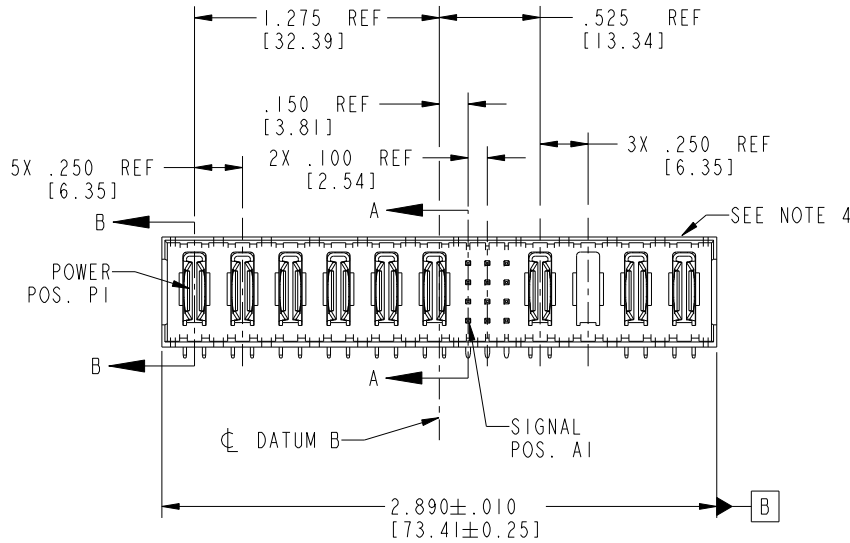


Tous droits strictement réservés. Reproduction ou communication a des tiers interdite sous quelque forme que ce soit sans autorisation écrite du propriétaire. Propriété de c FCI. Droits de reproduction FCI.

All rights strictly reserved. Reproduction or issue to third parties in any form whatever is not permitted without written authority from the proprietor. Property of FCI. Copyright FCI.



PRODUCT NO. 51734-001 NOTE: ③	ROWS DCBA	POWER					SIG			POWER				
		P1	P2	P3	P4	P5	P6	1	2	3	P7	P8	P9	P10
		PA	PA	PA	PA	PA	UU TT SS RR				PA	X	PA	PA



CODE	DIM "M" MATING LENGTH	CONTACT TYPE
R	.270 [6.86]	SIGNAL
S	.270 [6.86]	SIGNAL
T	.270 [6.86]	SIGNAL
U	.270 [6.86]	SIGNAL
PA	N/A [N/A]	POWER
X	OMITTED	OMITTED

mat'l code SEE NOTE 2				tolerances unless otherwise specified		CUSTOMER		FCI www.fciconnect.com	
ltr	ecn no.	dr	date	linear	.XX±.01/0.X±0.3	COPY		title	
A	V02908	EKK	12-14-00		.XX±.005/0.XX±0.13	projection		6P + 12S + 4P	
B	V20771	JWS	04-19-02	angles	.XXX±.0020/0.XXX±0.051	INCH/MM		RIGHT ANGLE SOLDER HEADER	
C	DG05-0192	SJ	06/27/05		0° ± 2°	scale		product family	
D	DG05-0558	GuoJM	12/20/05	dr	J. SHAFFER 04-19-02	1:1		PwrBlade	
E	DG08-0272	W D	27/09/08	engr	M. MOSTOLLER 04-19-02			code	
				chr	M. MOSTOLLER 04-19-02			size	
				appd	M. MOSTOLLER 04-19-02			dwg no	
sheet index		revision sheet		E	E	E	E	A 51734-001	
		1	2	3	4			213	
								sheet 1 of 4	

Pro/E

PDM: Rev: E

STATUS: Released

Printed: Dec 20, 2010

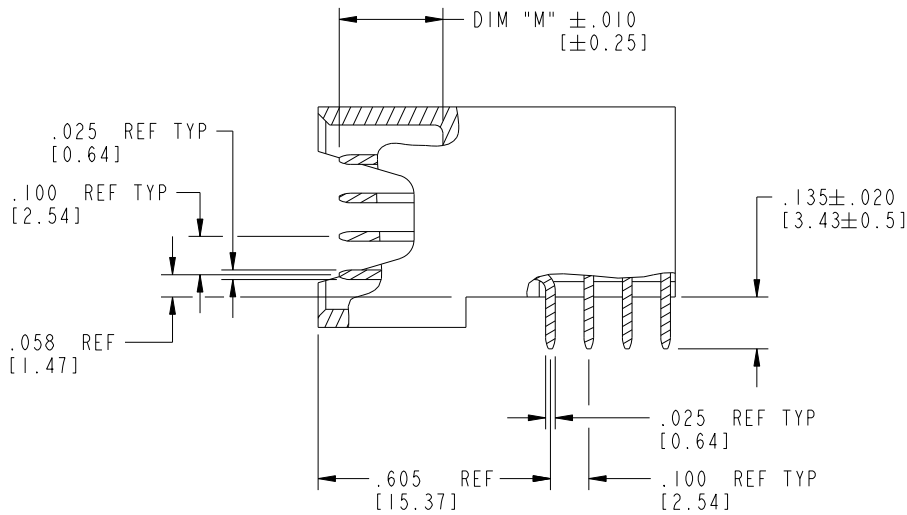
cage code 28556

Tous droits strictement réservés. Reproduction ou communication a des tiers interdite sous quelque forme que ce soit sans autorisation écrite du propriétaire. Propriété de c FCI. Droits de reproduction FCI.

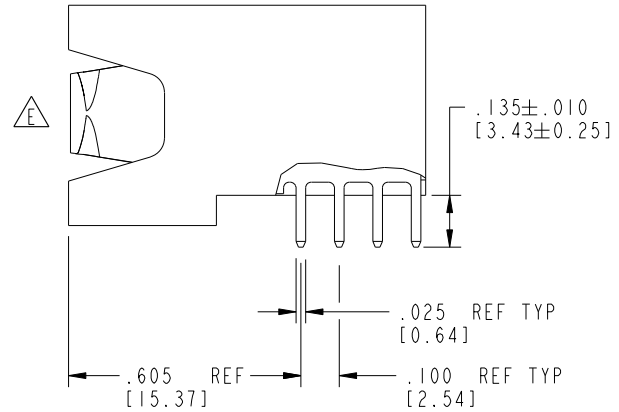
All rights strictly reserved. Reproduction or issue to third parties in any form whatever is not permitted without written authority from the proprietor. Property of FCI. Copyright FCI.



PRODUCT NUMBER
51734-001--
NOTE: ③



BROKEN-OUT SECTION A-A
SCALE 2:1



BROKEN-OUT SECTION B-B
SCALE 2:1

mat'l code		SEE NOTE 2		tolerances unless otherwise specified		CUSTOMER		 www.fciconnect.com	
ltr	ecn no.	dr	date	linear	.XX±.01/0.X±0.3	COPY		title	
E					.XXX±.005/0.XX±0.13	projection		6P + 12S + 4P	
				angles	.XXX±.0020/0.XXX±0.051			RIGHT ANGLE SOLDER HEADER	
				dr	0° ± 2°			product family	
				engr	J. SHAFFER 04-19-02	scale		PwrBlade	
				chr	M. MOSTOLLER 04-19-02	1:1		code	
				appd	M. MOSTOLLER 04-19-02			size	
sheet index		revision sheet						dwg no	
								A 51734-001	
								sheet 2 of 4	

cage code 2856

Pro/E

PDM: Rev: E

STATUS: Released

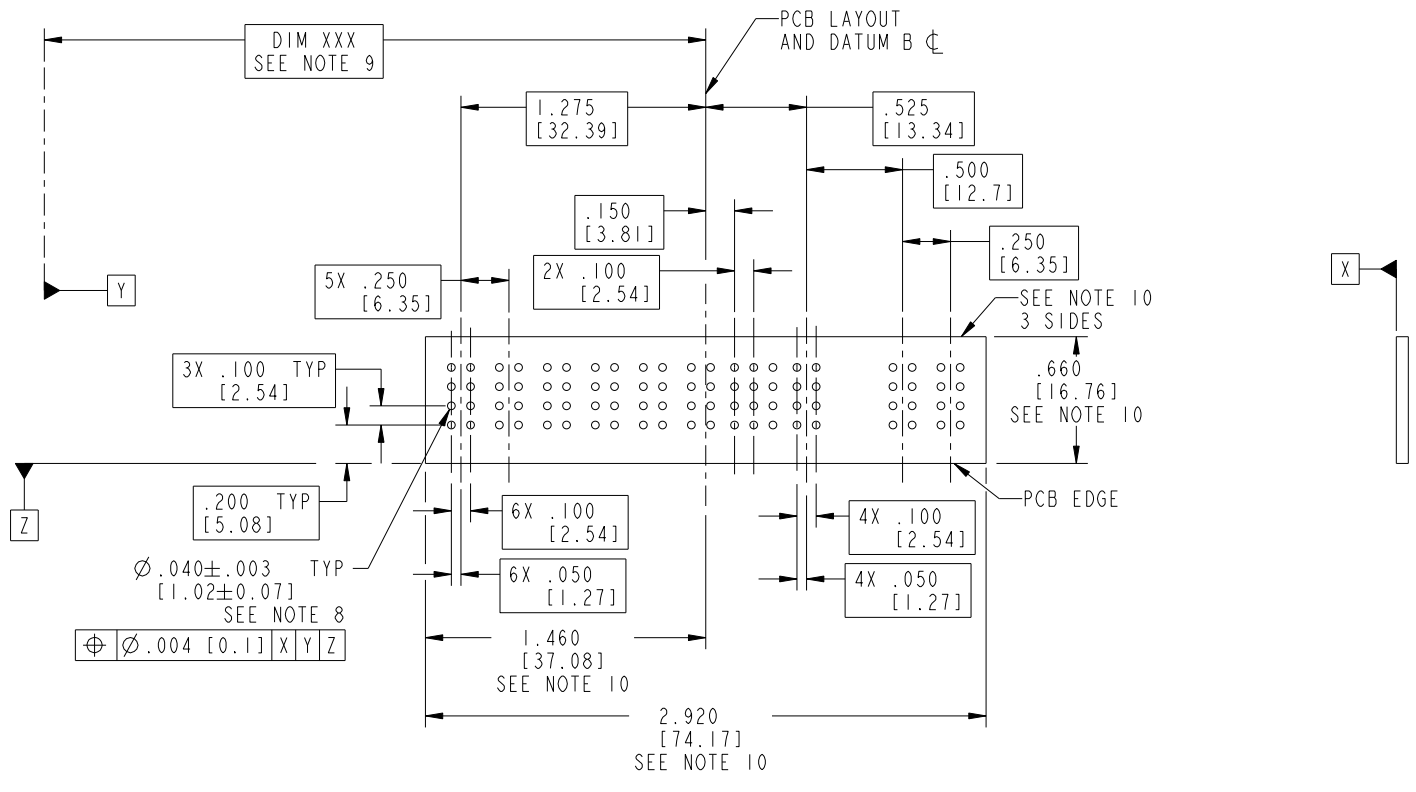
Printed: Dec 20, 2010

Tous droits strictement réservés. Reproduction ou communication a des tiers interdite sous quelque forme que ce soit sans autorisation écrite du propriétaire. Propriété de c FCI. Droits de reproduction FCI.



All rights strictly reserved. Reproduction or issue to third parties in any form whatever is not permitted without written authority from the proprietor. Property of FCI. Copyright FCI.

PRODUCT NUMBER
51734-001--
NOTE: ③



RECOMMENDED PCB LAYOUT

mat'l code		SEE NOTE 2		tolerances unless otherwise specified		CUSTOMER		FCI	
ltr	ecn no.	dr	date	linear	.XX±.01/0.X±0.3	COPY		www.fciconnect.com	
E				projection	.XXY±.005/0.XX±0.13			title 6P + 12S + 4P	
				angles	.XXX±.0020/0.XXX±0.051			RIGHT ANGLE SOLDER HEADER	
				dr	0°±2°	INCH/MM		product family PwrBlade	
				engr	J. SHAFFER 04-19-02	scale		code 213	
				chr	M. MOSTOLLER 04-19-02	1:1		size dwg no 51734-001	
				appd	M. MOSTOLLER 04-19-02			sheet 3 of 4	
sheet index		revision sheet							

Pro/E

PDM: Rev: E

STATUS: Released

Printed: Dec 20, 2010

1 | 2

3 |

4

A

A

B

B

1 | 2

4

PRODUCT NUMBER
 51734-001--
 NOTE: ③

NOTES:

1. DIMENSIONS AND TOLERANCES ARE IN ACCORDANCE WITH ASME Y14.5M, 1994 UNLESS OTHERWISE SPECIFIED.

CONNECTOR NOTES:

2. HOUSING MATERIAL: UL 94 V-0 GLASS FILLED HIGH-TEMP THERMOPLASTIC
 POWER CONTACT MATERIAL: COPPER ALLOY
 SIGNAL PIN MATERIAL: COPPER ALLOY

⚠ 3. SEE ITEM 1 & 2 IN PRINT 10064183 FOR PLATING SPEC OF 51734-001 AND 51734-001LF RESPECTIVELY.

4. MANUFACTURER'S NAME, P/N, AND DATE CODE TO APPEAR ON THIS SURFACE.

5. PRODUCT SPECIFICATION GS-12-149.
 APPLICATION SPECIFICATION BUS-20-067.

PCB NOTES:

6. ALL HOLE DIAMETERS ARE FINISHED HOLE SIZE.

7. MOUNTING HOLES, WHERE APPLICABLE, ARE UNPLATED.

8. $\varnothing .0453 \pm 0.0010$ [1.151 ± 0.025] DRILLED HOLES PLATED WITH
 0.0003 [0.008] MIN SnPb OVER $.001$ [0.03]
 TO $.003$ [0.08] Cu PLATING TO ACHIEVE
 $\varnothing .040 \pm .003$ [$1.02 \pm .07$] HOLE.

9. "DIM XXX" TO BE DETERMINED BY THE CUSTOMER.

10. CONNECTOR KEEP-OUT ZONE.

11. A ⚠ SYMBOL WILL BE NEXT TO ANY DIMENSION, VIEW, OR NOTE WHICH HAS BEEN MODIFIED WITH THE CURRENT DRAWING REVISION.

mat'l code		SEE NOTE 2		tolerances unless otherwise specified		CUSTOMER		FCI	
ltr	ecn no.	dr	date	linear	.XX±.01/0.X±0.3	COPY		www.fciconnect.com	
E				projection	.XXY±.005/0.XX±0.13			title 6P + 12S + 4P	
				angles	.XXX±.0020/0.XXX±0.051			RIGHT ANGLE SOLDER HEADER	
				dr	0° ± 2°	INCH/MM		product family PwrBlade code 213	
				engr	J. SHAFFER 04-19-02	scale 1:1		size dwg no A 51734-001 sheet 4 of 4	
				chr	M. MOSTOLLER 04-19-02				
				appd	M. MOSTOLLER 04-19-02				
sheet index	revision sheet								

Tous droits strictement réservés. Reproduction ou communication a des tiers interdite sous quelque forme que ce soit sans autorisation écrite du propriétaire. Propriété de c FCI. Droits de reproduction FCI.



All rights strictly reserved. Reproduction or issue to third parties in any form whatever is not permitted without written authority from the proprietor. Property of FCI. Copyright FCI.