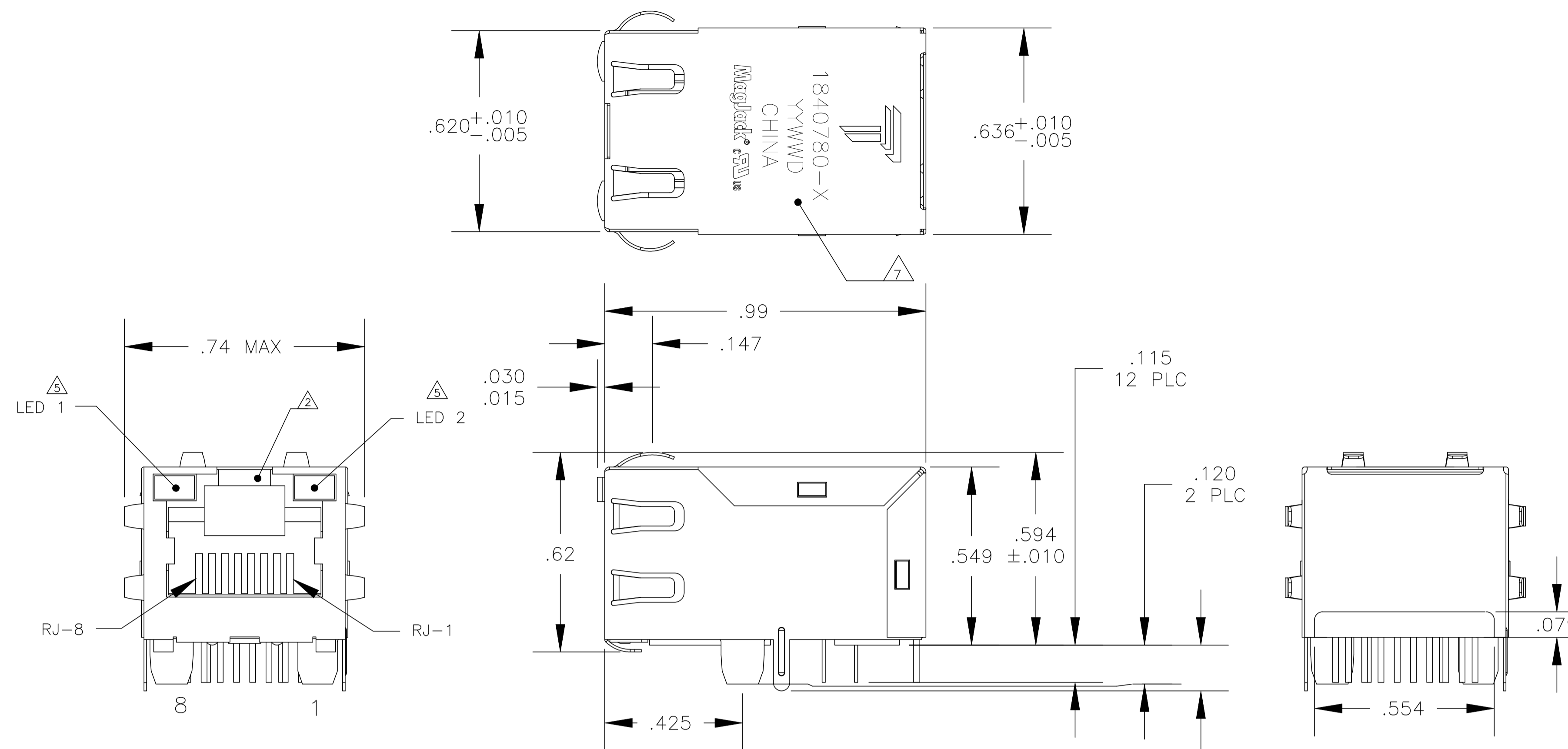


THIS DRAWING AND THE SUBJECT MATTER SHOWN THEREON ARE CONFIDENTIAL AND THE PROPERTY OF BEL/STEWART/TRP CONNECTOR AND SHALL NOT BE REPRODUCED, COPIED, OR USED IN ANY MANNER WITHOUT THE WRITTEN CONSENT OF TRP CONNECTOR.

PRODUCT MAY BE PROTECTED BY ONE OR MORE OF THE FOLLOWING US PATENTS:
 5736910 5939955 6425781 6428361 6554638 6840817 7123117
 7429195 7717749 7808751 6217391 6149050 7924130

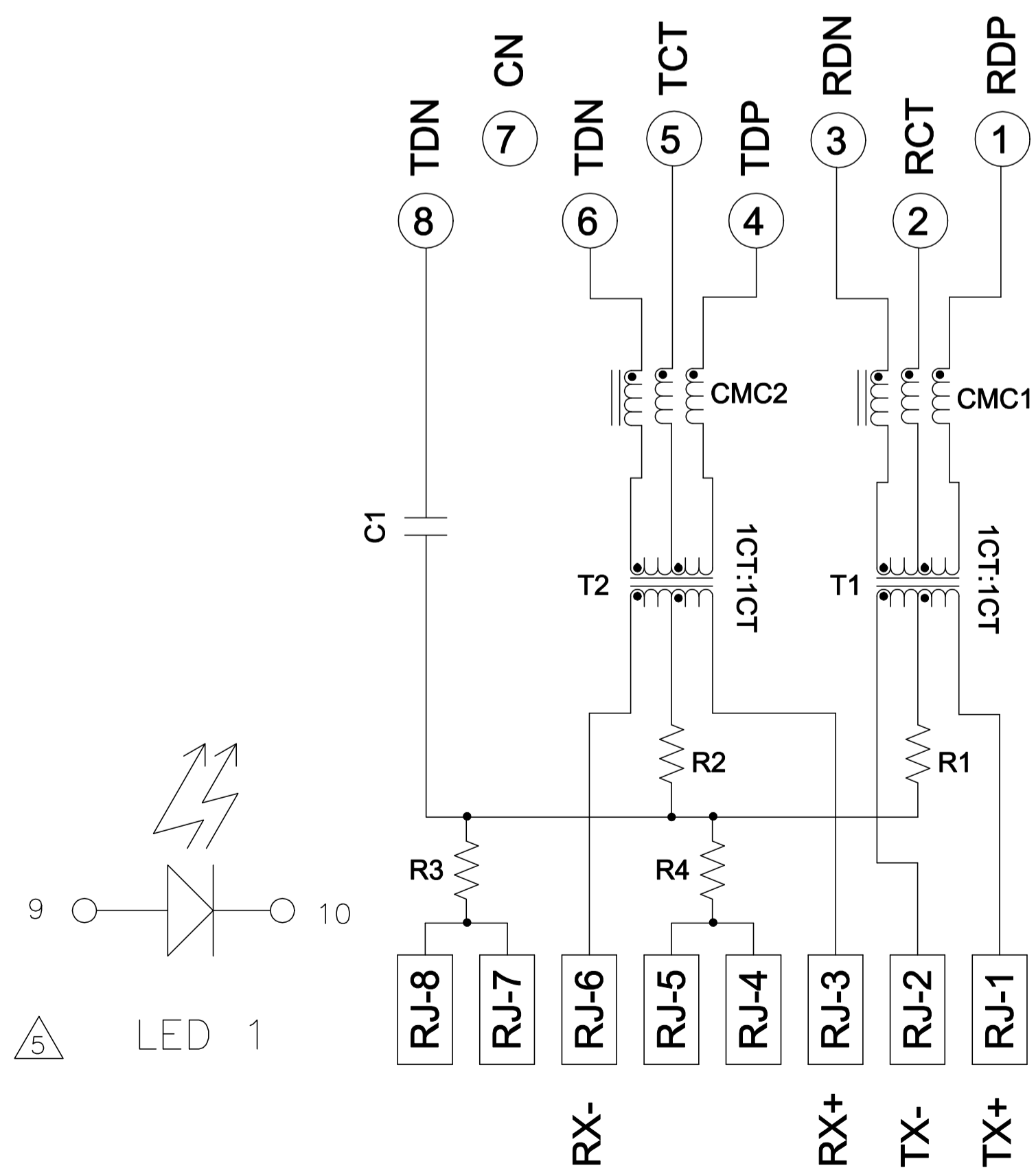
REVISIONS						
P	LTR	REV	DESCRIPTION	DATE	OWN	APPR
D			EC-1411035 COMPANY LOGO CHANGE	23DEC2014	RT	TL



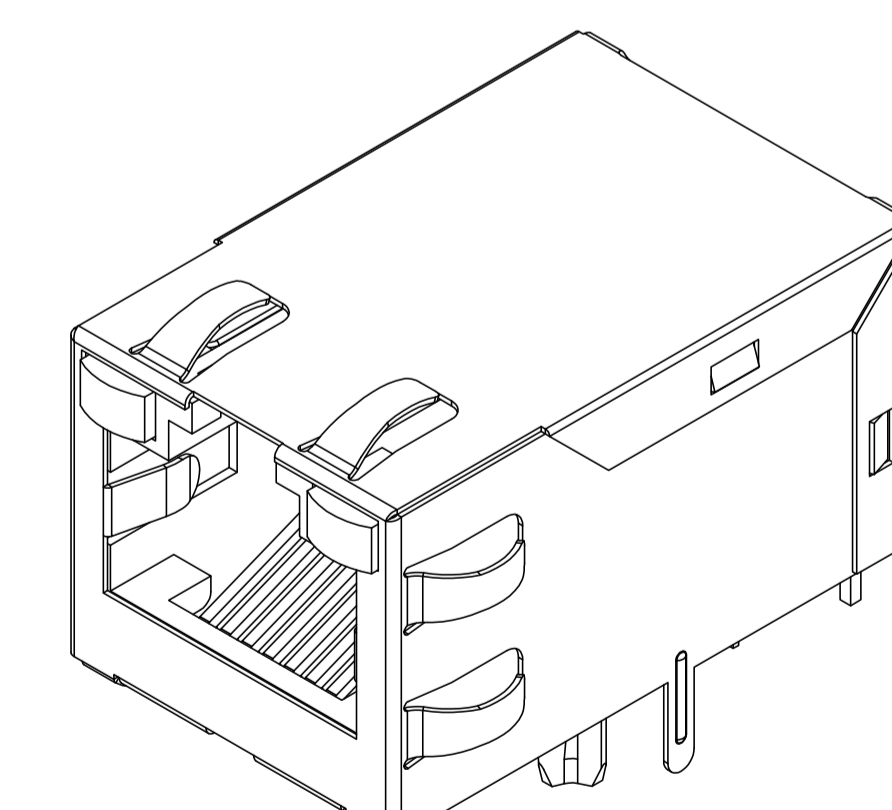
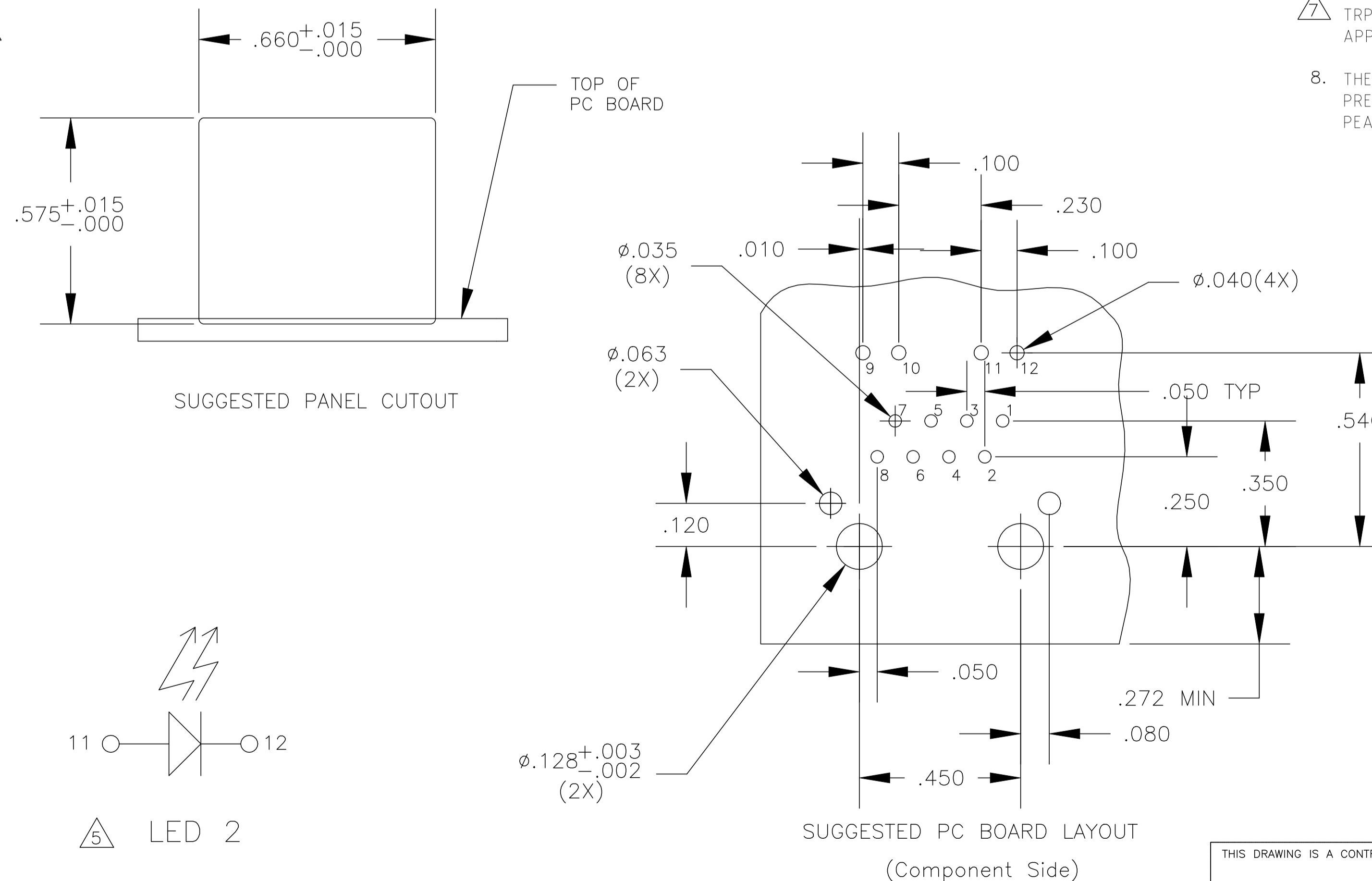
- 1. MATERIALS:**
 HOUSING - THERMOPLASTIC PET POLYESTER FLAMMABILITY RATING UL 94V-0.
 SHIELD - .008" THICK, C26800 BRASS PREPLATED WITH 30μ INCH MIN SEMI-BRIGHT NICKEL; SOLDER TABS POST-DIPPED WITH SAC SOLDER.
 MOD JACK CONTACTS - .0157" x .018" PHOSPHOR BRONZE, 50μ INCH MIN OVERALL NICKEL UNDERPLATE, WITH SELECT 50μ INCH MIN HARD GOLD FINISH PLATE.
 SOLDER TAILS WITH 100μ INCH MIN MATTE TIN AND/OR SAC SOLDER DIP.
 LIGHT EMITTING DIODE(LED) - DIFFUSED EPOXY LENS, .020" x .020" CARBON STEEL WIREFRAME LEADS PREPLATED WITH 80μ INCH SILVER OVER 40μ INCH NICKEL UNDERPLATE OVER 40μ INCH COPPER UNDERPLATE, POST-PLATED WITH 100μ INCH MIN MATTE TIN AND/OR SAC SOLDER DIP OR PURE TIN SOLDER DIP.
- 2. RJ45 JACK CAVITY CONFORMS TO FCC RULES AND REGULATIONS PART 68, SUB PART F.**
- 3. MAGNETICS**
 -APPLICATION: 10/100 BASE-T
 -IMPEDANCE: 100 OHMS
 -TURNS RATIO (CHIP-CABLE): TX = 1:1, RX = 1:1
 -OPEN CIRCUIT INDUCTANCE (OCL): 350μH MIN @100kHz, 0.1VRMS, 8mADC BIAS FROM 0°C TO 70°C, TX AND RX
 -PERFORMANCE @ 25°C:
 INSERTION LOSS (IL): 1.1dB MAX FROM 0.5MHz TO 100MHz
 RETURN LOSS (RL): 18dB MIN FROM 0.5MHz TO 30MHz
 18-20LOG(f/30)dB MIN FROM 30.1MHz TO 60MHz
 12dB MIN FROM 60.1MHz TO 80MHz
 CROSSTALK ATTENUATION: 35dB MIN FROM 0.5MHz TO 40MHz
 33-20LOG(f/50)dB MIN FROM 40.1MHz TO 100MHz
 COMMON MODE REJECTION RATIO (CMRR): 30dB MIN FROM 0.5MHz TO 100MHz
 -ISOLATION VOLTAGE: 2250VDC (MAX) FOR 60 SECONDS WITH A RISE TIME OF 500V/SEC.
- 4. OPERATING TEMPERATURE: FROM 0°C TO +70°C.**
- 5. LEDS WITHOUT BUILT-IN RESISTOR**
 LEDS ARE DRIVEN WITH CONSTANT CURRENT AT APPROX 20mA.
 LED COLOR: DOMINANT WAVELENGTH (λD): GREEN 568 nm TYP @ IF=20mA
 FORWARD VOLTAGE (VF): GREEN 2.2V TYP @ IF=20mA
- 6. INDICATED CONNECTIONS ARE FOR NIC CONFIGURATION. THE MAGNETICS ARE ASYMMETRIC, AND DO NOT SUPPORT AUTO-MDI/MDIX.**
- 7. TRP CONNECTOR LOGO, PART NUMBER, DATE CODE, COUNTRY OF ORIGIN AND AGENCY APPROVAL MARKING IN APPROXIMATE LOCATION SHOWN.**
- 8. THESE PARTS ARE RECOMMENDED FOR WAVE SOLDERING PROCESS, PREHEAT TEMPERATURE IS 120°C TO 160°C, 120 SECONDS TO 180 SECONDS, PEAK SOLDERING TEMPERATURE IS 260 °C MAX, 10 SECONDS MAX.**

ELECTRICAL:

86P1 10/100 BASE-T CIRCUIT **3****6**



1. R1-R4 = 75 OHMS, 1/16 W, RESISTORS
 2. C1=1000pF, 2kV, CAPACITOR



GREEN LED 1 5	GREEN LED 2 5	1840780-7 PART NUMBER
----------------------	----------------------	-----------------------

THIS DRAWING IS A CONTROLLED DOCUMENT.		DWG: ALEX WANG 25FEB2010		DONGGUAN CHINA
DIMENSIONS: INCHES		CHK: FRANK LIU 25FEB2010		
TOLERANCES UNLESS OTHERWISE SPECIFIED:		APPR: LUJUN RAO 25FEB2010	DESC: 1X1 86P1 10/100 TAB UP W/ LED	
0 PLC ± - 1 PLC ± .010 2 PLC ± .015 3 PLC ± .005 4 PLC ± - ANGLES ± -		MODEL NAME: MAGJACK	SIZE: A1	RESTRICTED TO: -
PRODUCT SPEC: 108-2100	APPLICATION SPEC: -	SINGLE NON-POE	SCALE: NTS	SHEET: 1 OF 1
CUSTOMER DRAWING		REV: D		