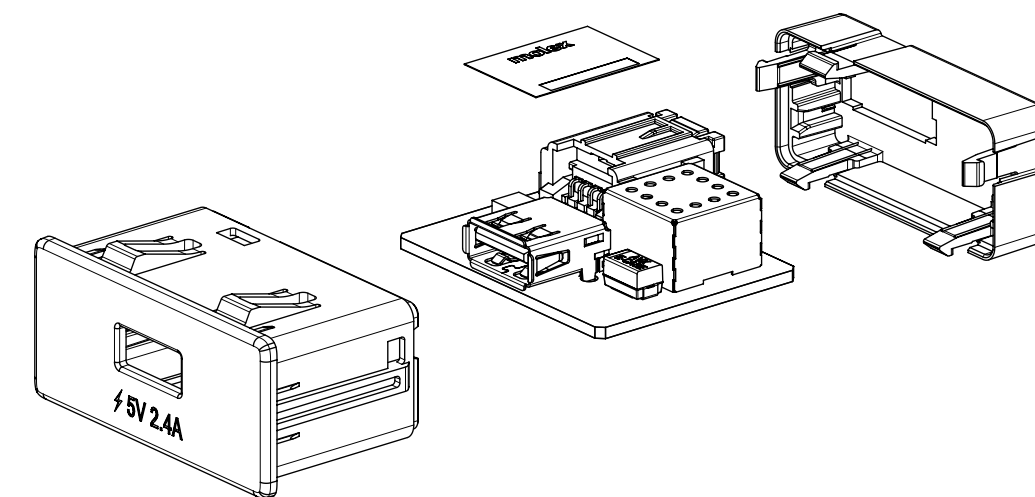
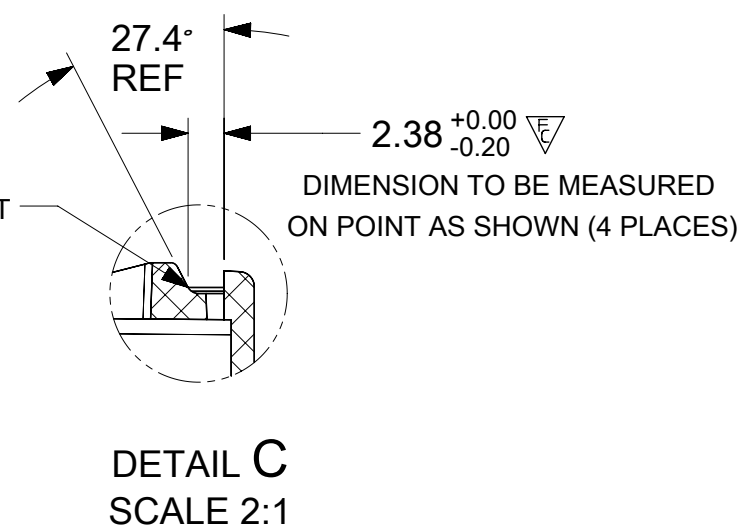
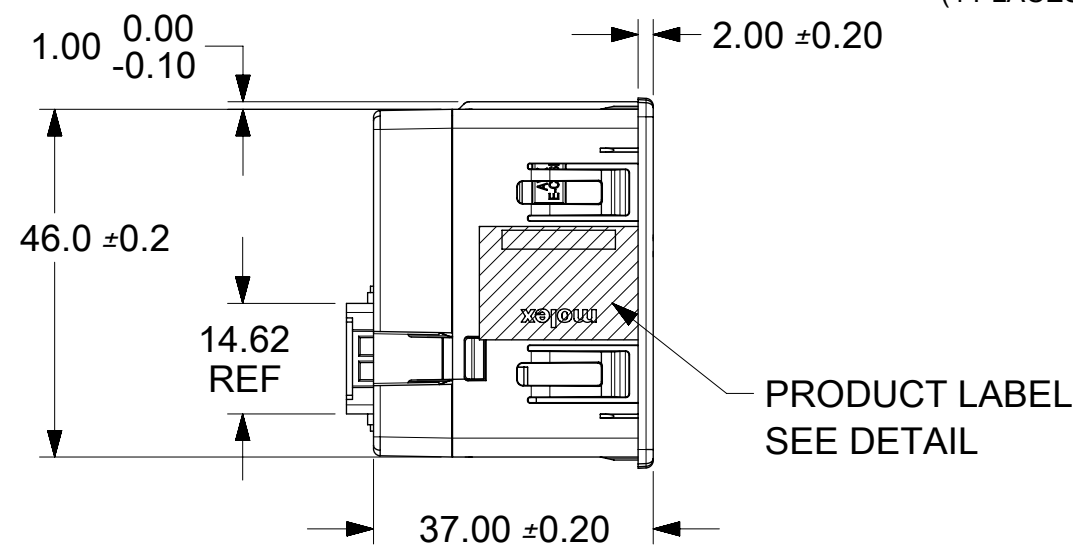


REAR SIDE CONNECTOR PINOUT

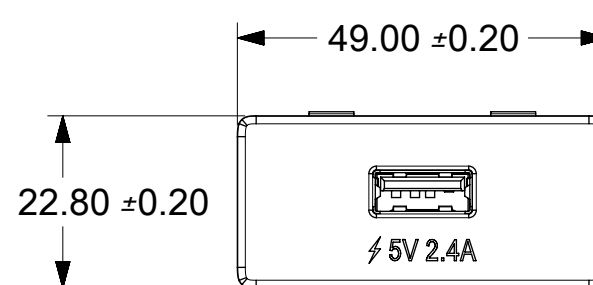
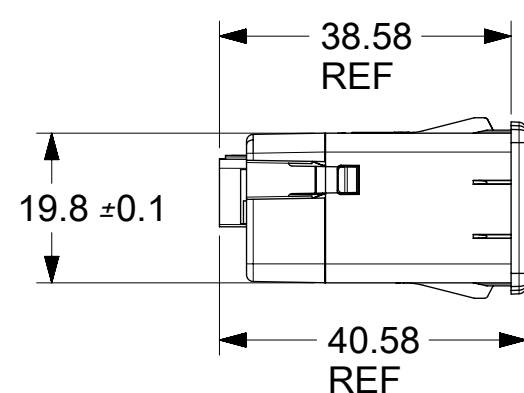
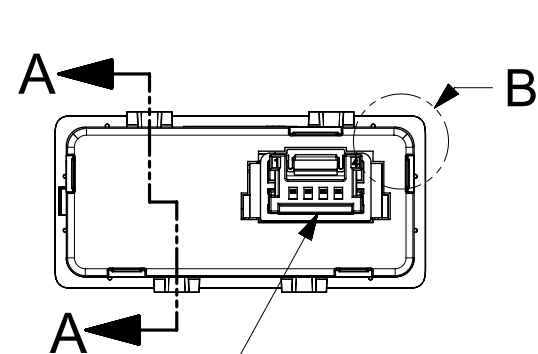
PIN OUTS			
PIN #	FUNCTION	VOLTAGE	CURRENT
1	BATT +	9-16V	1500mA
2	ILLUM +	9-16V	12mA
3	ILLUM -	GND	12mA
4	BATT -	GND	1500mA

DATE	REV	DESCRIPTION
2017/03/23	A	INITIAL RELEASE
2017/03/24	A1	OVERLAPPED VIEWS CORRECTED
2017/05/22	A2	685324510 MATERIAL MASTER ASSIGNED

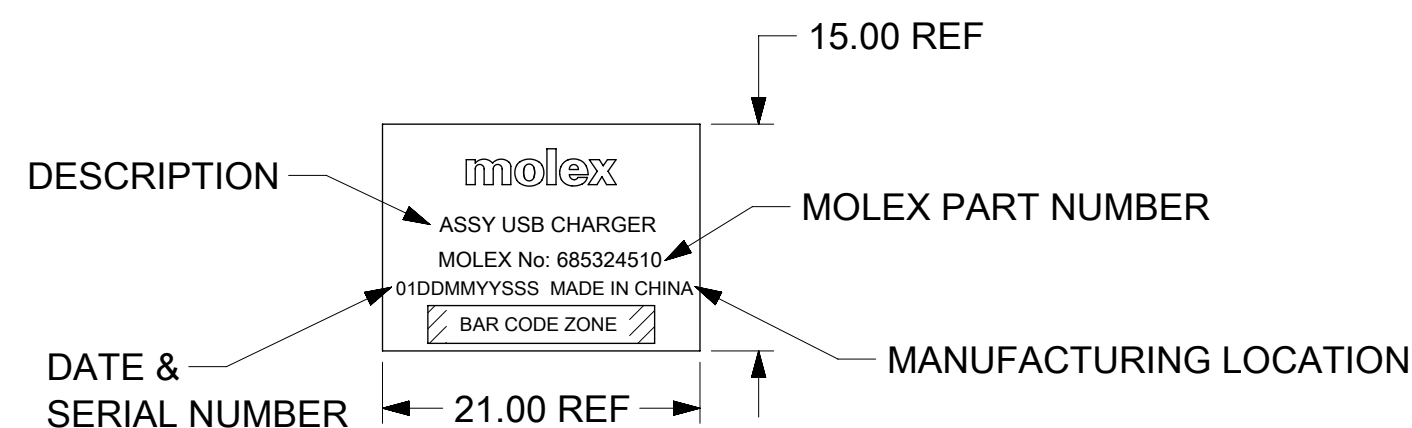
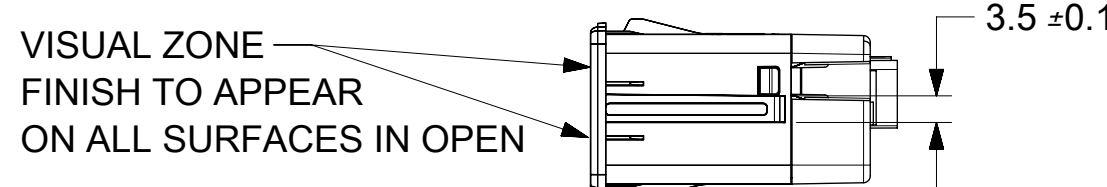
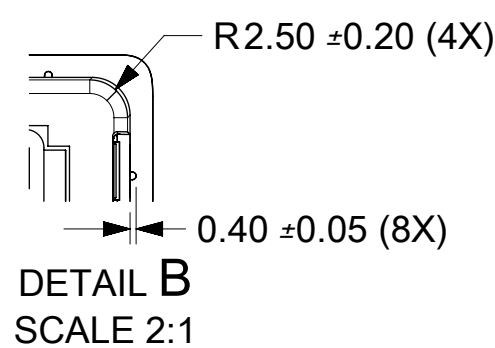
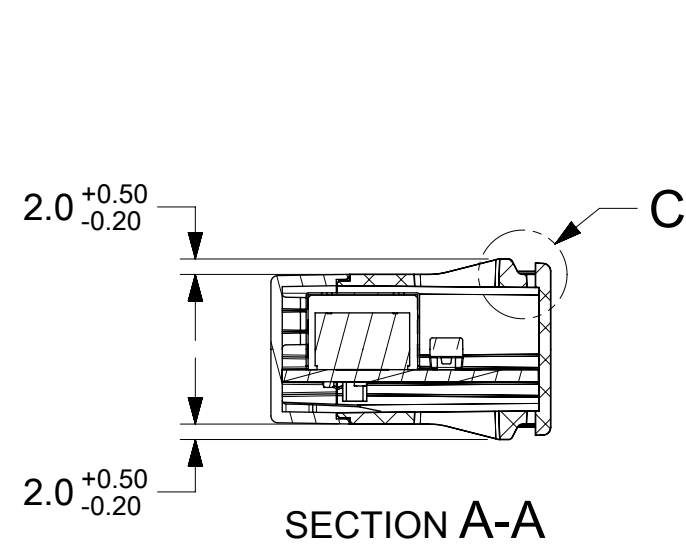


NOTES:

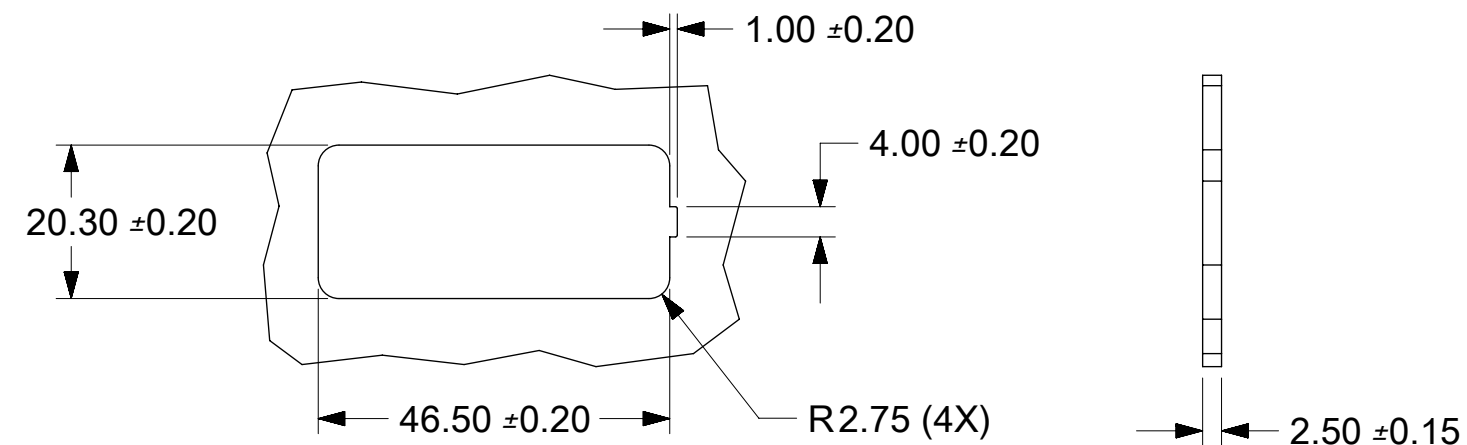
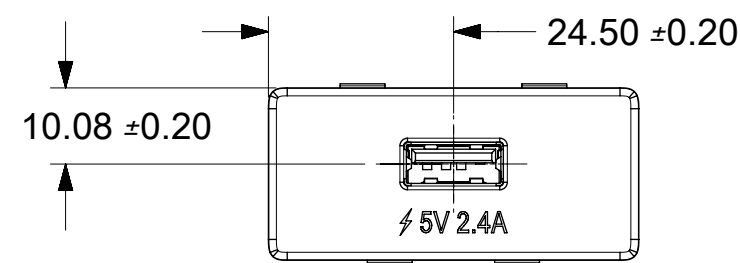
- MATERIALS:
  - PCB: FR4, UL 94V-0
  - PLASTIC HOUSINGS: PC, COLOR: BLACK FOR REAR HOUSING, WHITE FOR FRONT HOUSING.
  - COLOR FINISH: BLACK OVER WHITE MATERIAL (ON FRONT HOUSING)
- USB TYPE A:
  - HOUSING MATERIAL: HIGH TEMP THERMOPLASTIC, UL-94V-0, COLOR: BLACK.
  - TERMINAL: PHOSPHOR BRONZE, PLATING: GOLD 0.75µM
  - SHIELD: STAINLESS STEEL, NI 0.75µM MIN.
  - INSERTION: 35N MAX
  - EXTRACTION: 10N MIN
  - DURABILITY: 10,000 CYCLES
- MINI50 CONNECTOR:
  - HOUSING MATERIAL: POLYESTER ALLOY, COLOR: BLACK
  - TERMINAL: BRASS, PLATING: TIN
- PART TO BE PACKAGED PER PK-68532-4501
- ASSEMBLY ACCORDING TO IPC-A-610 CLASS 2
- USB MODULE ENVELOPE DIMENSIONS 49.0 X 22.8 X 40.58 mm.
- PULL OUT FORCE FOR DOCKING MODULE MEASURED ON METAL PLATE CUT OUT/FIXTURE (WITH RECOMMENDED OPENING) - 100N MIN.
- MODULE WEIGHT: 0.028 Kg



MINI 50 CONNECTOR, 4 WAY  
 P/N 349128040  
 WIRING HARNESS MATING CONNECTOR:  
 MOLEX 347910040



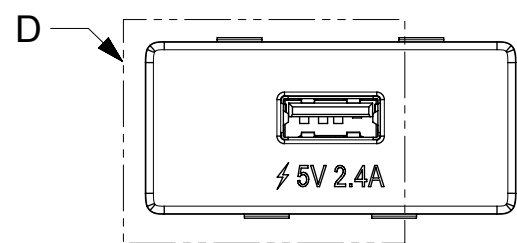
QUALITY SYMBOLS	THIS DRAWING CONTAINS INFORMATION THAT IS PROPRIETARY TO MOLEX ELECTRONIC TECHNOLOGIES, LLC AND SHOULD NOT BE USED WITHOUT WRITTEN PERMISSION		GENERAL TOLERANCES (UNLESS SPECIFIED)		DIMENSION UNITS	SCALE	<b>molex</b>				
▽ = 0	2017/05/22	2017/05/22	ANGULAR TOL ± °		MM	1:1				USB CHARGER	
▽ = 1	EC NO: 117253 DRWN: JEESCOBEDO CHKD: FFIERRROS REV / APPR: DMUELLER	2017/05/22	4 PLACES	±	JHLANDA	2016/10/07	PRODUCT CUSTOMER DRAWING				
▽ = 0			3 PLACES	± 0.05	CHKD BY	DATE				SERIES MATERIAL NUMBER CUSTOMER	
▼ = 0			2 PLACES	± 0.13	JEESCOBEDO	2017/03/23	68532	685324510	DOCUMENT NUMBER DOC TYPE DOC PART SHEET NUMBER		
▽ = 0			1 PLACE	± 0.25	APP BY	DATE	84532	685324510			
⊠ = 0			0 PLACES	±	DMUELLER	2017/03/24	DRAFT WHERE APPLICABLE MUST REMAIN WITHIN DIMENSIONS				
■ = 0	A2		C		THIRD ANGLE PROJECTION						



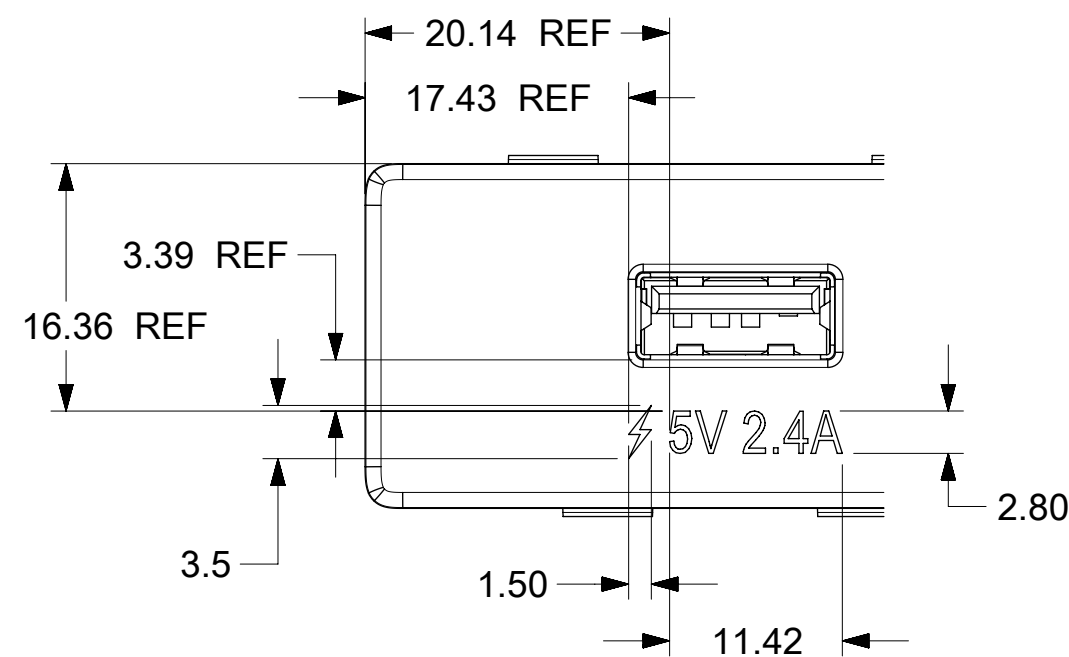
RECOMMENDED PANEL OPENING

PANEL THICKNESS

FRONT HOUSING LEGEND



LEGEND DETAIL



DETAIL D  
SCALE 2:1

PRINTING DETAILS:

1. FONT: MYRIAD PRO (NORMAL)  
COLOR: WHITE (HOUSING MATERIAL)  
PROCESS: LASER ETCHING

NOTES:

1. OPERATING TEMP: -40°C TO 85°C
2. STORAGE TEMP: -40°C TO 90°C
3. FLAMMABILITY IN ACCORDANCE WITH ISO 3795: 1989
4. COMPONENT SHALL MEET THE REGULATIONS:  
- EEC DERECTIVE 2000/53/EC, 2002/525/EC:  
REGULATION AGAINST USAGE IF  
HAZARDOUS & NON-RECYCLABLE COMPONENTS
5. USB DOCKING MODULE QUALIFIED AS PER DVP.
6. DEDICATED CHARGING PORT:  
- USB BATTERY CHARGING SPECIFICATION BC1.2  
- YD/T 1591-2009  
- DIVIDER MODE (APPLE 12W)  
- 1.2 V MODE

ILLUMINATION DETAIL

MOLEX P#	LEGEND	COLOR	COLOR CO-ORDINATES	No OF LEDs/LIGHT GUIDE	LUMINACE INTENSITY (cd/sq m)	WAVELENGTH (nm)
685324510	CHARGING ICONS	WHITE	(Cx=0.33±0.02, Cy=0.32±0.02)	1	12±3	----

QUALITY SYMBOLS ▽ = 0 ▽ = 0 ▽ = 0 ▽ = 0 ▽ = 0 ▽ = 0 ▽ = 0 ▽ = 0 ▽ = 0	THIS DRAWING CONTAINS INFORMATION THAT IS PROPRIETARY TO MOLEX ELECTRONIC TECHNOLOGIES, LLC AND SHOULD NOT BE USED WITHOUT WRITTEN PERMISSION		GENERAL TOLERANCES (UNLESS SPECIFIED) DIMENSION UNITS: MM SCALE: 1:1		
	EC NO: 117253 DRWN: JEESCOBEDO 2017/05/22 CHKD: FFIERRROS 2017/05/22 REV / APPR: DMUELLER 2017/05/22		ANGULAR TOL ± ° 4 PLACES ± 3 PLACES ± 0.05 2 PLACES ± 0.13 1 PLACE ± 0.25 0 PLACES ±		
DRAFT WHERE APPLICABLE MUST REMAIN WITHIN DIMENSIONS			DRAUGHT WHERE APPLICABLE MUST REMAIN WITHIN DIMENSIONS		PRODUCT CUSTOMER DRAWING
DRAWING SIZE: C		THIRD ANGLE PROJECTION		SERIES: 68532 MATERIAL NUMBER: 685324510 CUSTOMER:	
A2		C		DOCUMENT NUMBER: 685324510 DOC TYPE: PSD DOC PART: 000 SHEET NUMBER: 2 OF 2	