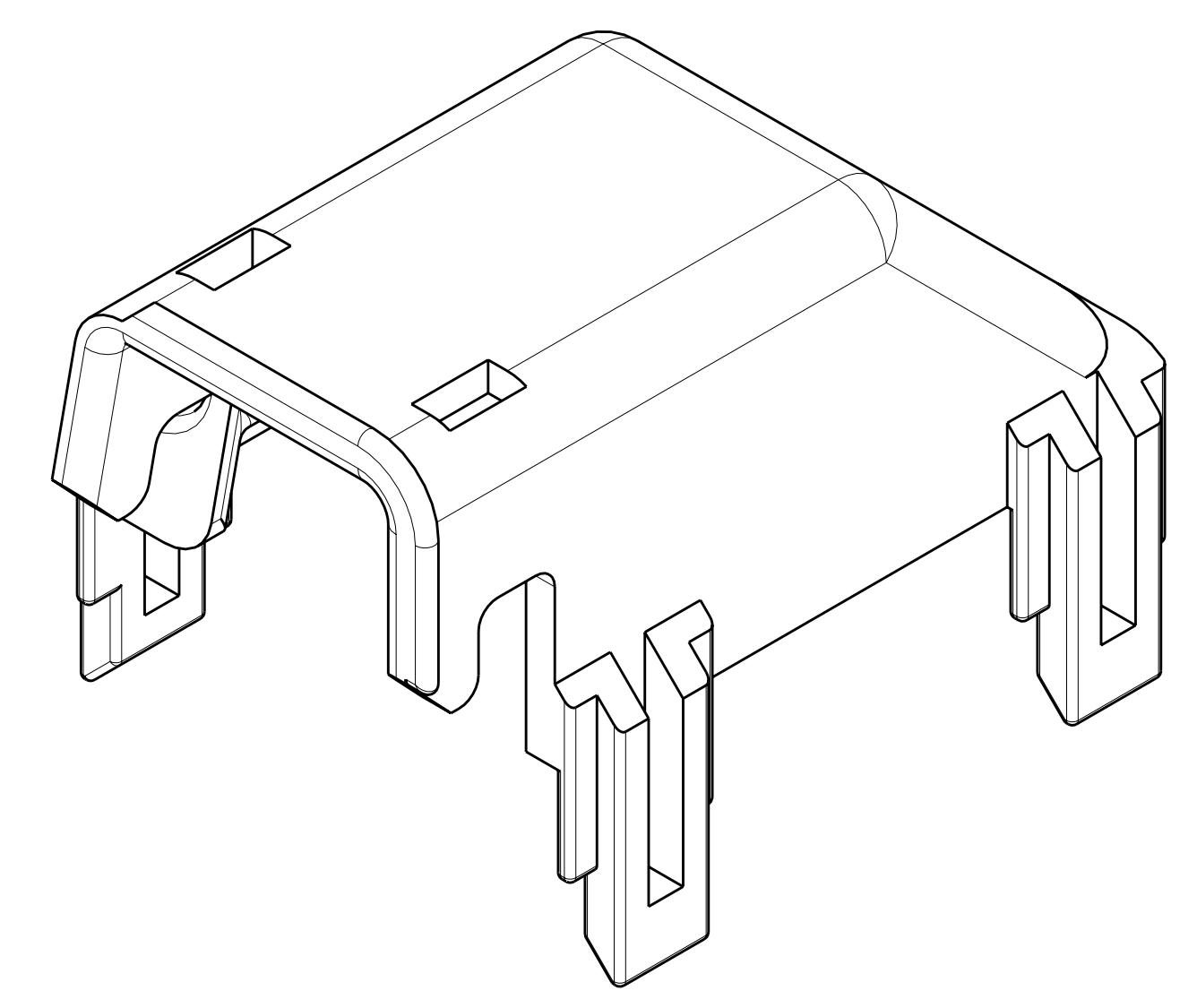
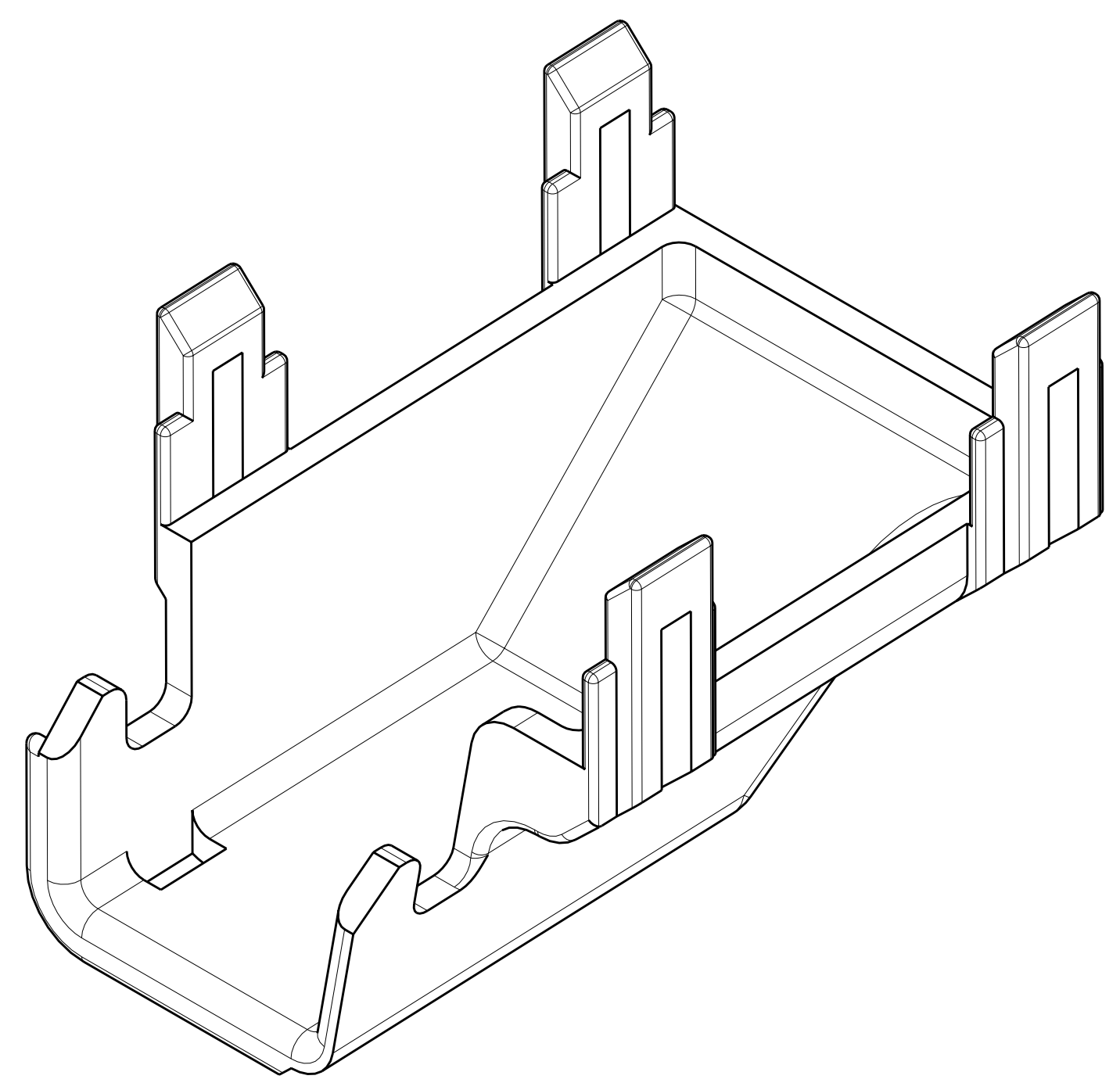
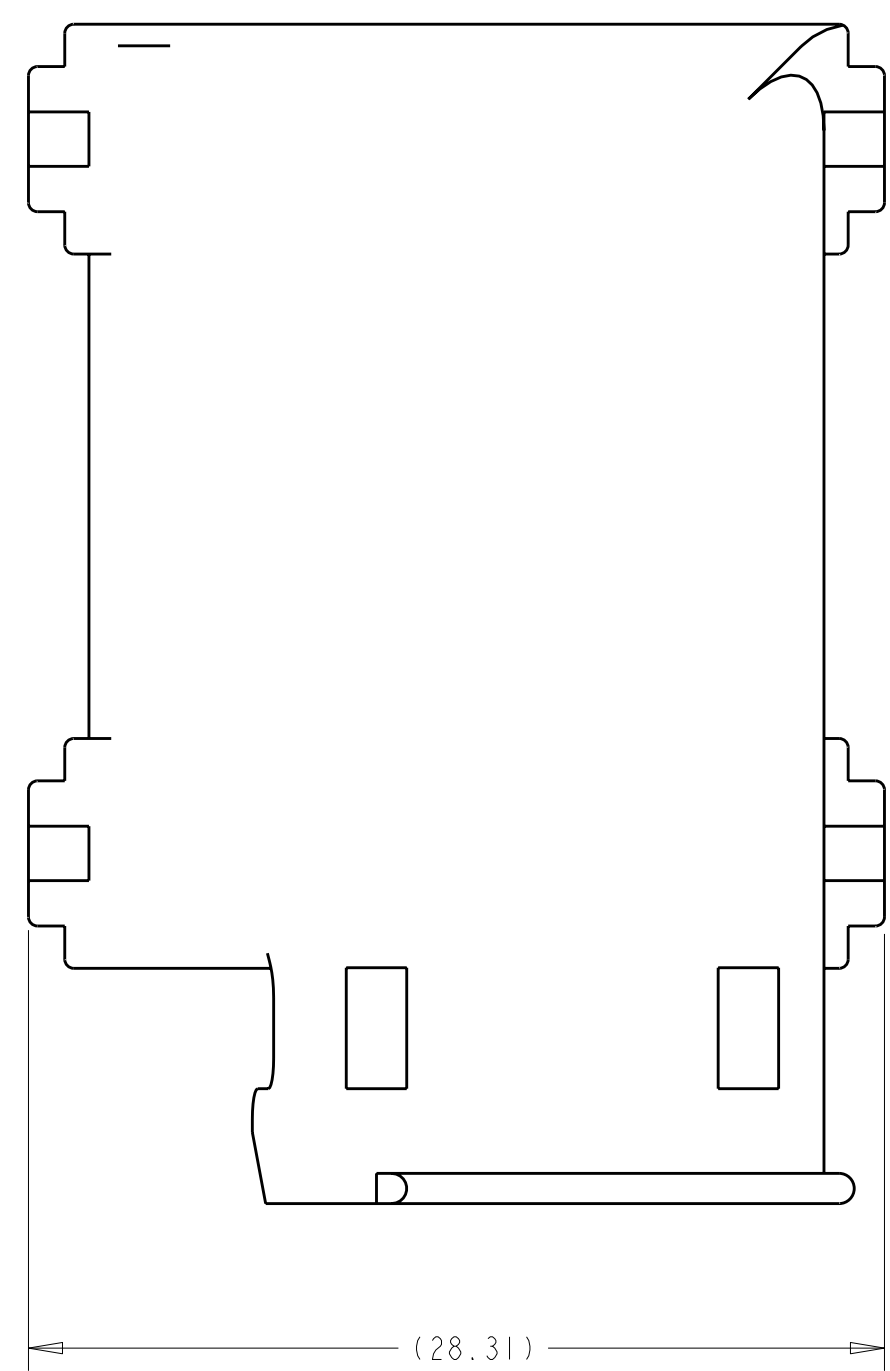
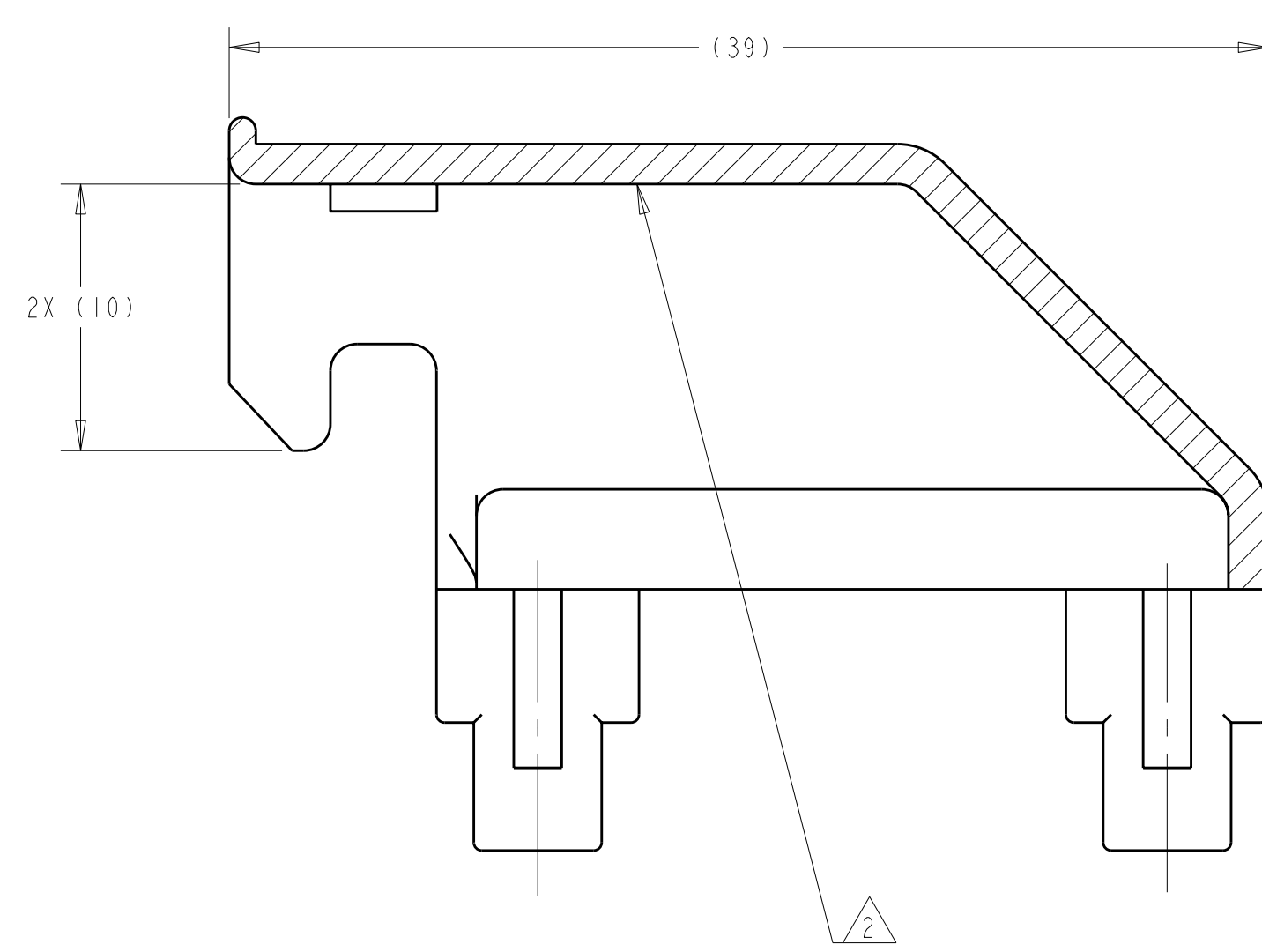
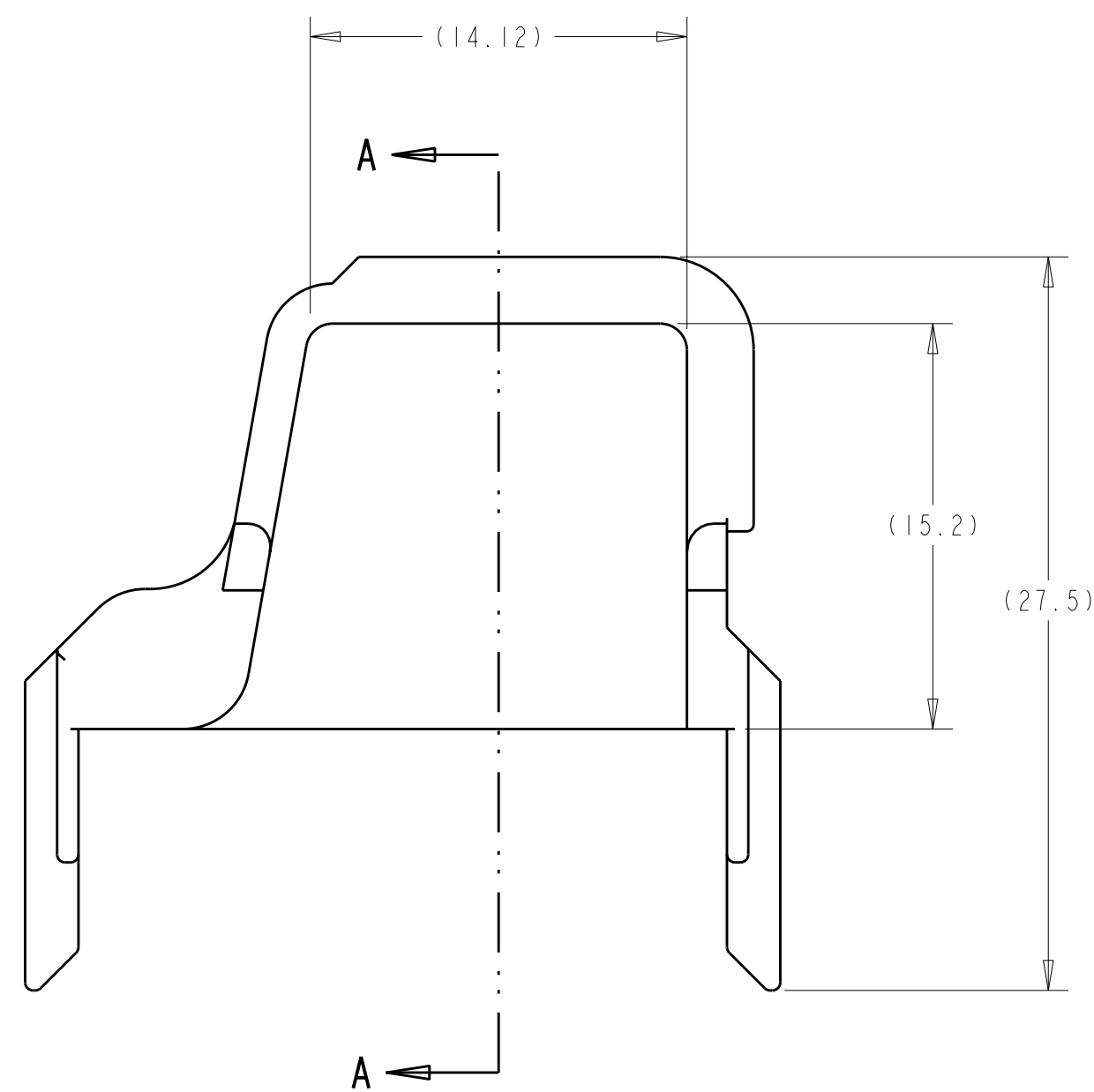
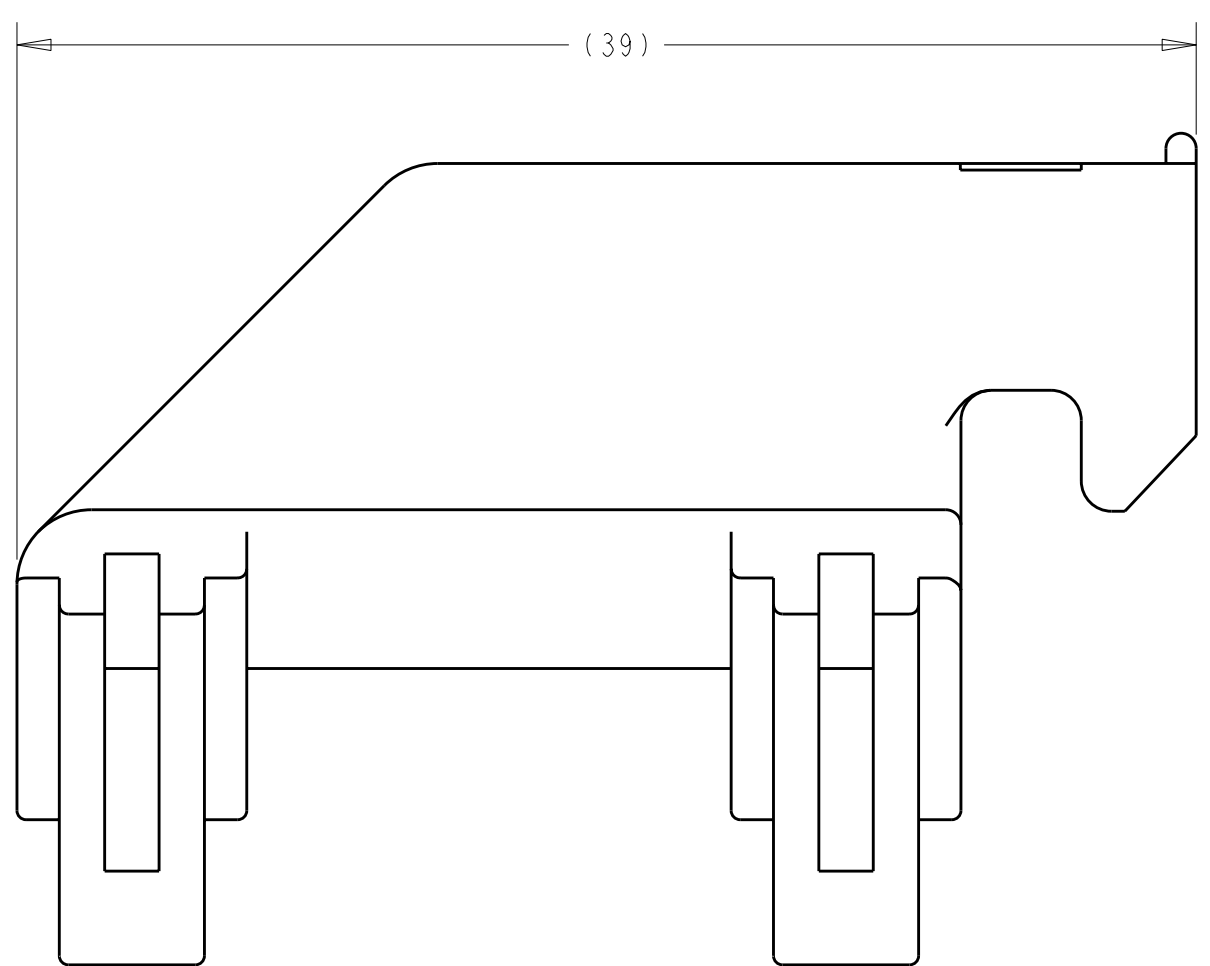


LOC	DIST	REVISIONS					
		P	LTR	DESCRIPTION	DATE	DWN	APVD
FX	00	A		INITIAL RELEASE PER D08-093	15JUL2008	RGV	WTW



- 1 MATERIAL: POLYPROPYLENE
COLOR: BLACK
- 2 MOLD FORD LOGO, PART NUMBER, CAVITY I.D. AND MATERIAL RECYCLING CODE LOCATED ON THIS SURFACE. FOR ALTERNATE PART NUMBERS AND/OR LOGOS CONTACT TYCO ELECTRONICS PRODUCT ENGINEER.
- 3. 25% MAXIMUM REGRIND.



SECTION A-A

>PP<	BLACK	IFIT-14N003-BA	8-1419157-8
MATERIAL	COLOR	CUSTOMER PART NO	PART NO

<small>THIS DRAWING IS UNPUBLISHED. RELEASED FOR PUBLICATION BY TYCO ELECTRONICS CORPORATION. IT IS SUBJECT TO CHANGE WITHOUT NOTICE AND WITHOUT OBLIGATION. SHOULD BE CONTACTED FOR THE LATEST REVISION.</small>		DWN: R. VESTAL 15JUL2008 CHK: W. WELLINSKY 15JUL2008 APVD: W. WELLINSKY 15JUL2008	Tyco Electronics Harrisburg, PA 17105-3608
DIMENSIONS: mm 		TOLERANCES UNLESS OTHERWISE SPECIFIED: 0 PLC ± 1 PLC ± 2 PLC ± 3 PLC ± 4 PLC ± ANGLES ± FINISH	NAME: 40 WAY AIRBAG WIRE SHIELD PRODUCT SPEC: - APPLICATION SPEC: - WEIGHT: 2.58g CUSTOMER DRAWING
MATERIAL: PP		SIZE: A CAGE CODE: 00779 DRAWING NO: C-8-1419157-8	RESTRICTED TO: - SCALE: 4:1 SHEET: 1 OF 1 REV: A