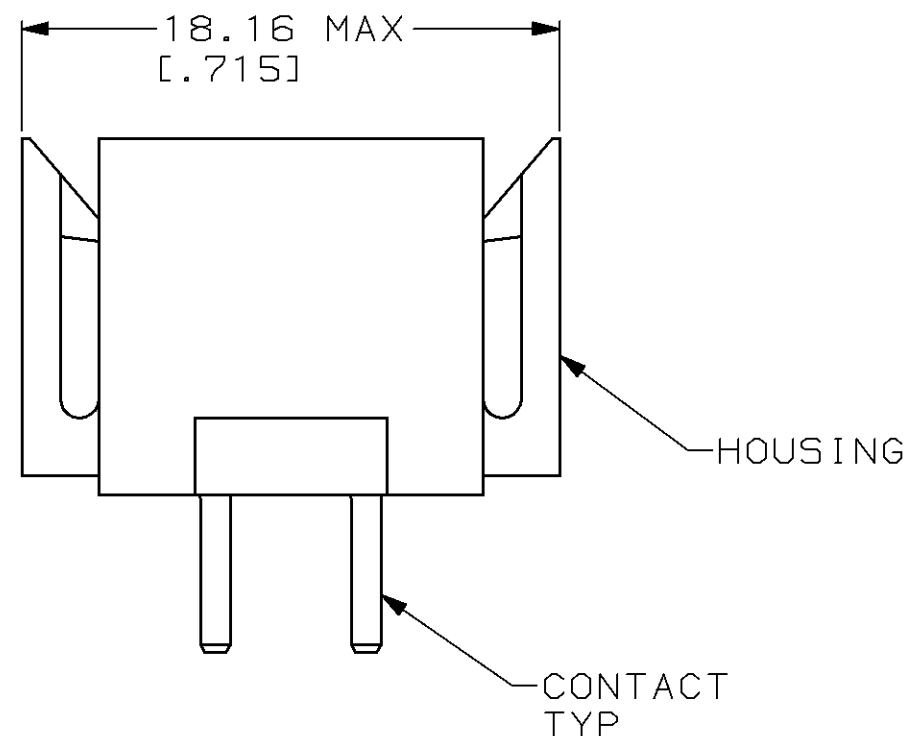
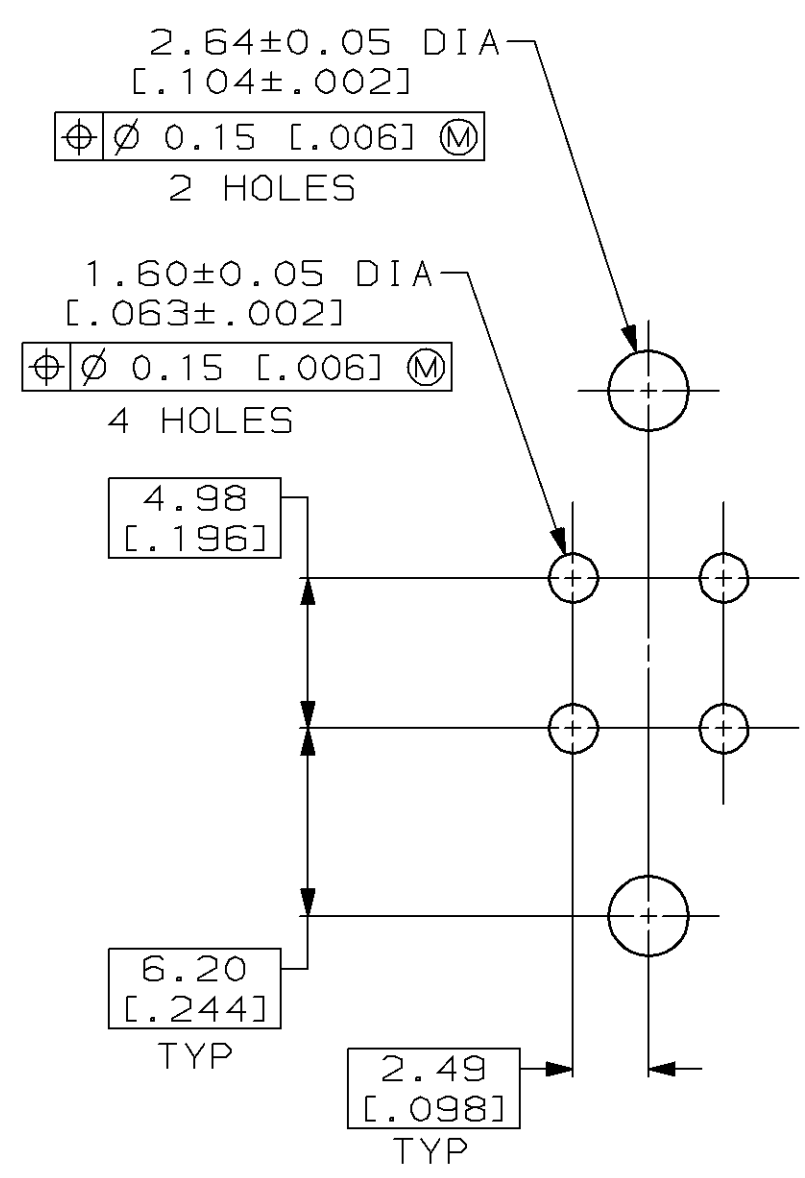
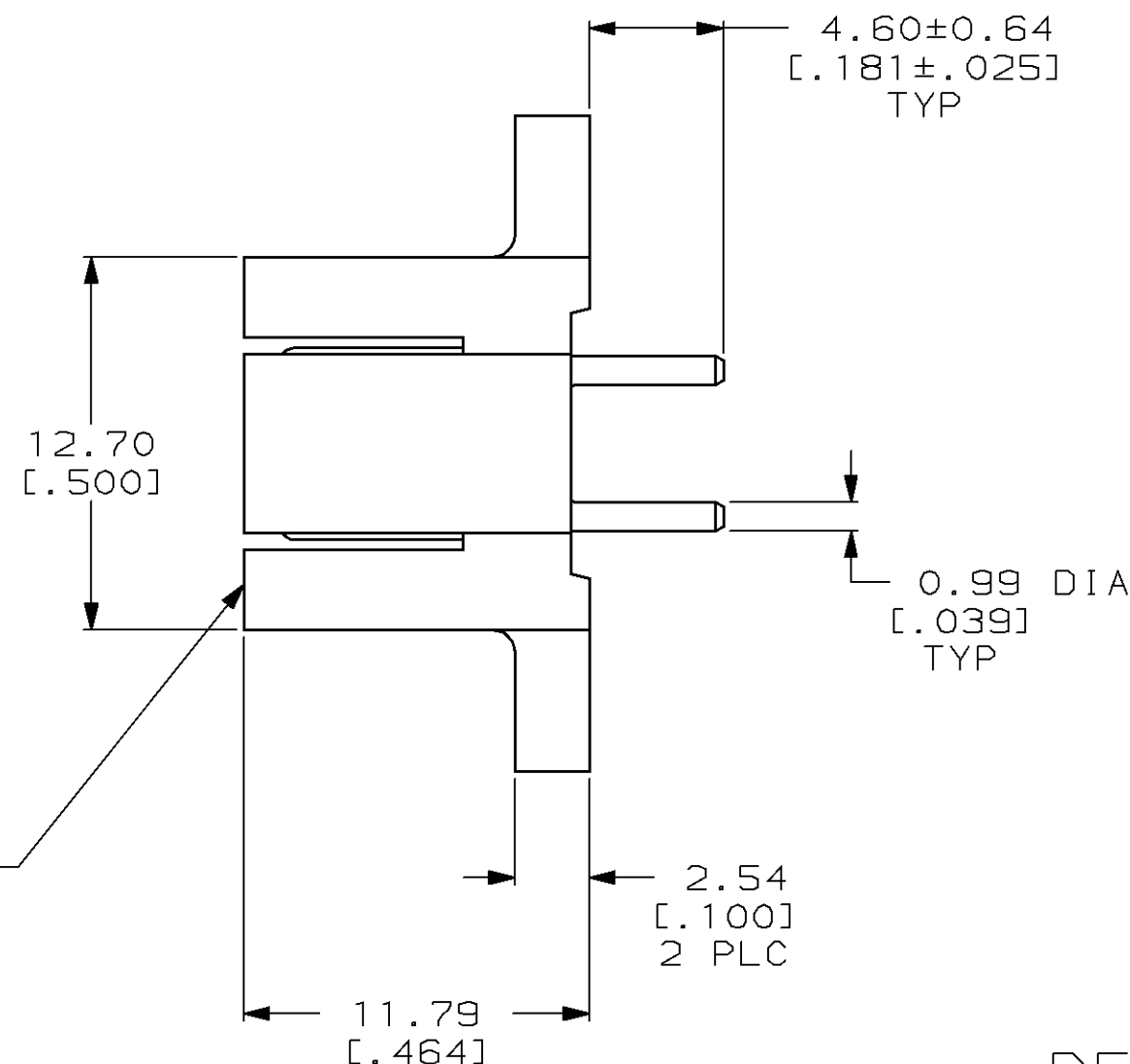
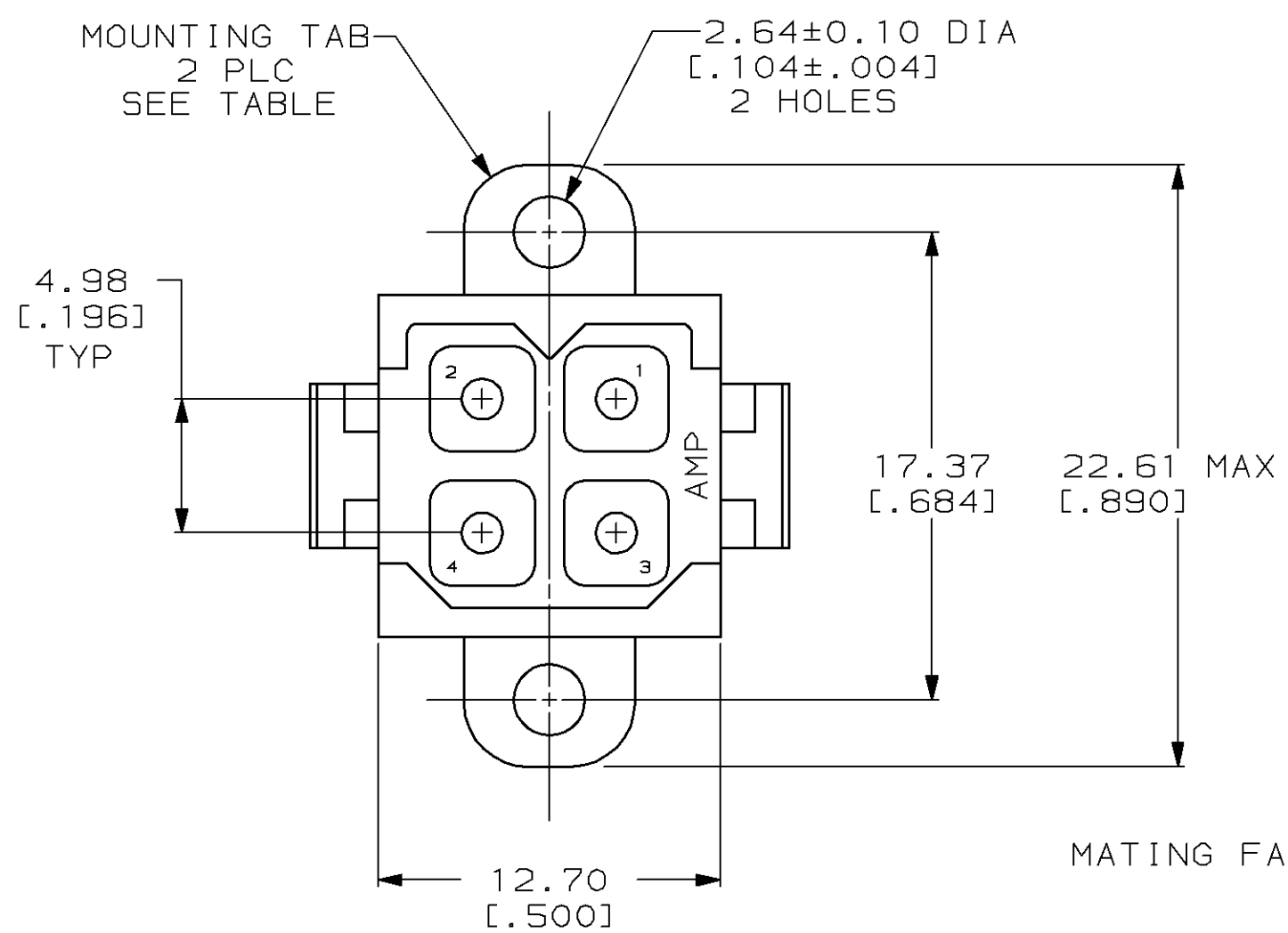


LOC		DIST		REVISIONS			
P	F	ZONE	LTR	DESCRIPTION	DATE	APPD	
FT	13						
			P	REDRAWN & REV PER BD6076	03/10/92	-	
			R	REV PER EC 0320-135-97	06 MAY 97	MM	



RECOMMENDED PC BOARD LAYOUT

CONTACT FINISH	MOUNTING TABS	PART NO
3	YES	207119-7
4	NO	207119-4
4	YES	207119-3
3	NO	207119-2
3	YES	207119-1

- 1 NYLON, UL 94V-0 RATED, RED.
- 2 BRASS PER ASTM B36.
- 3 3.81µm [.000150] MIN TIN OVER 2.54µm [.000100] MIN COPPER.
- 4 0.76µm [.000030] MIN GOLD FOR A LENGTH OF 5.08 [.200] FROM MATING END, 3.81µm [.000150] MIN TIN FOR A LENGTH OF 4.83 [.190] MIN FROM OPPOSITE END, BOTH OVER 1.27µm [.000050] MIN NICKEL.
- 5 CONTACTS SELECT LOADED IN POSITIONS 2,3, AND 4.

DO NOT SCALE PRINT. UNLESS SPECIFIED DIMENSIONS IN mm [INCHES] TOLERANCES ON: 2 PLC DEC ± 0.25 [.010] 3 PLC DEC ± - ANGLES ± -		DR 03/10/92 L.SIPE CHK 3-17-92 R.STONE APPD 3-17-92 A.TRAVIS APPD 3-18-92 C.ROHDE PRODUCT SPEC 108-10033		AMP AMP Incorporated Harrisburg, PA 17105-3608	
MATERIAL HOUSING: 1 CONTACT: 2		FINISH CONTACT: SEE TABLE		NAME PIN HEADER ASSEMBLY, 4 POSITION, METRIMATE	
APPLICATION SPEC -		SIZE C	CAGE CODE 00779	DRAWING NO 207119	
WEIGHT -		SCALE 4:1	SHEET 1 OF 1		