

4

3

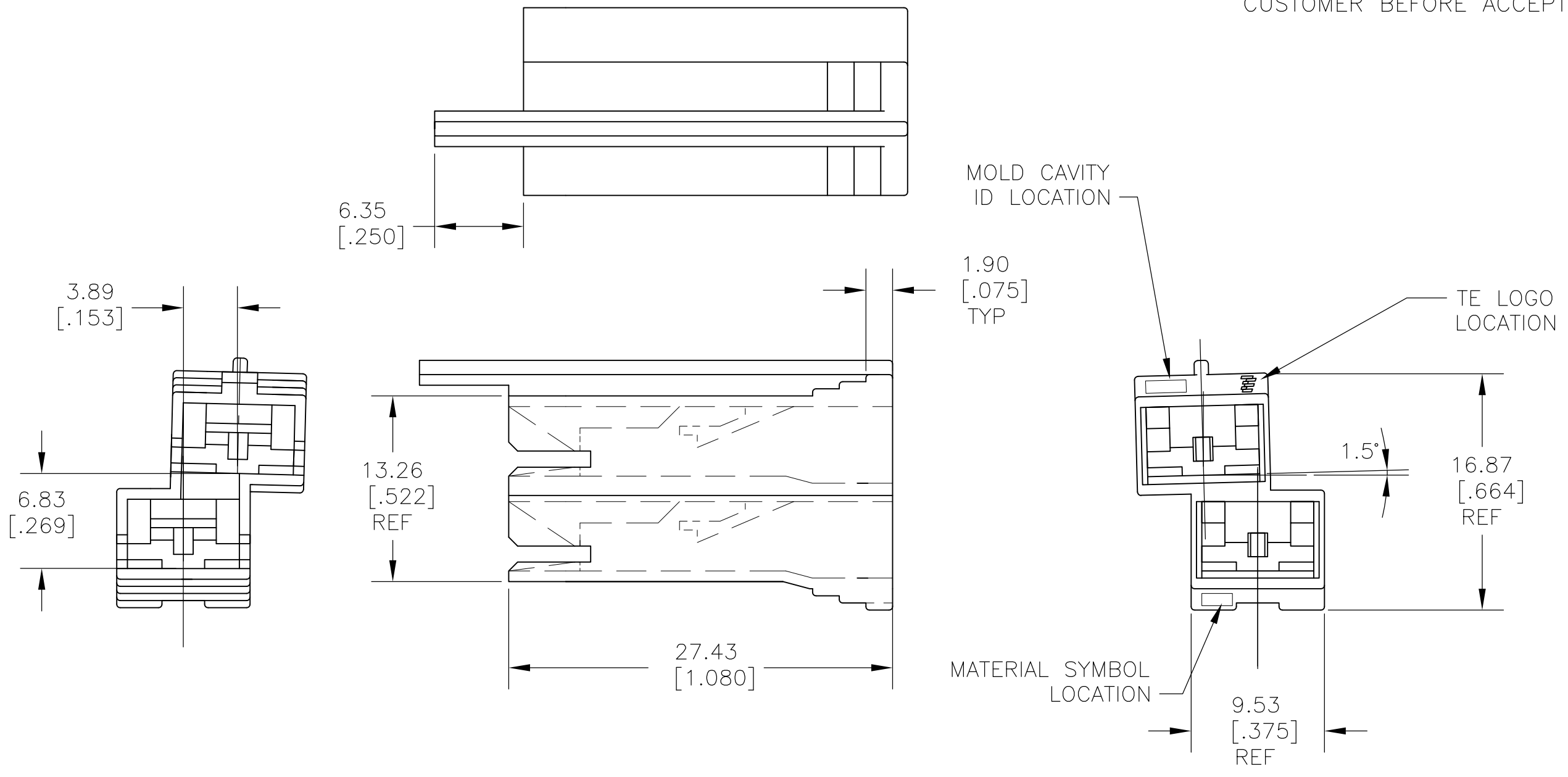
2

1

THIS DRAWING IS UNPUBLISHED. RELEASED FOR PUBLICATION  
 © COPYRIGHT - By - ALL RIGHTS RESERVED.

LOC	DIST	REVISIONS			
P	LTR	DESCRIPTION	DATE	DWN	APVD
AF	50	A3	REVISED PER ECR-11-006663	04APR11	JR PD

1 CENTERLINES MUST BE VERIFIED BY CUSTOMER BEFORE ACCEPTING A P.O.



1969199-1  
 PART NO

THIS DRAWING IS A CONTROLLED DOCUMENT.		DWN jr_ruth 19MAY08	TE Connectivity NAME HOUSING, SWITCH, RECEPTACLE, FASTON, .250 SERIES			
DIMENSIONS: MM [ INCHES ] 		CHK P_DESANTIS 19MAY08				
TOLERANCES UNLESS OTHERWISE SPECIFIED: 0 PLC ± - 1 PLC ± - 2 PLC ± 0.25 [.010] 3 PLC ± - 4 PLC ± - ANGLES ± 1°		APVD P_DESANTIS 19MAY08	RESTRICTED TO			
MATERIAL 66 NYLON, V0		FINISH COLOR-NATURAL	PRODUCT SPEC -	SIZE A3	CAGE CODE 00779	DRAWING NO C-1969199
CUSTOMER DRAWING			WEIGHT -	SCALE 3:1	SHEET 1 OF 1	REV A3