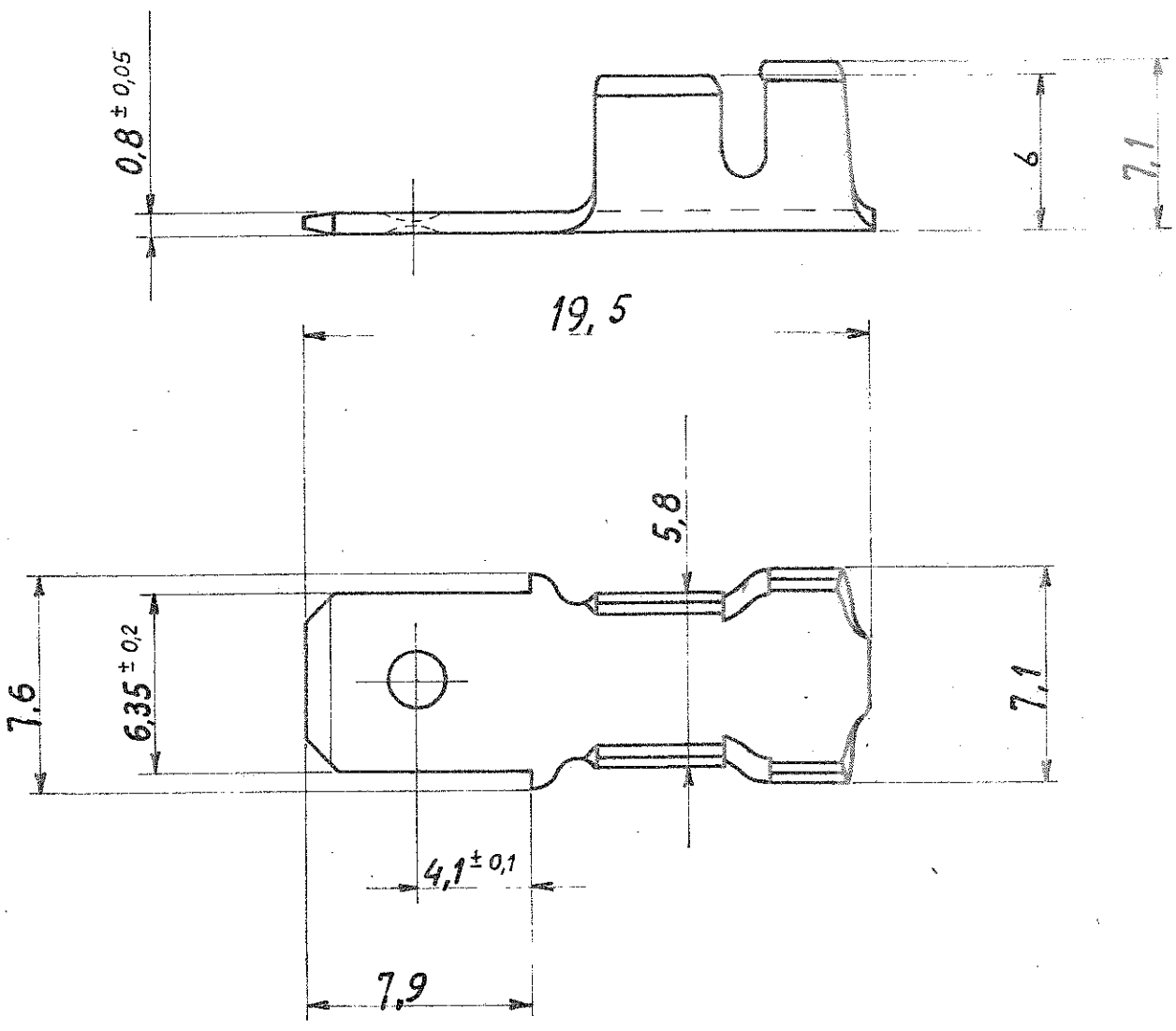


C-180353

N° Part.	Materiale
180353-1	Ottone.
180353-2	Ottone stagnato.
180353-3	BRASS, TIN PLATED 2,5-5,1 μm THK. OVER NICKEL 1,3-3,8 μm THK



DIMENSIONS IN /7777 DO NOT SCALE PRINT

© 1973 BY AMP INCORPORATED. ALL RIGHTS RESERVED. AMP PRODUCTS COVERED BY PATENTS AND OR PATENTS PENDING.

CUSTOMER COPY  
REFERENCE ONLY

MATERIAL AND FINISH  
*Vedi tabella*



AMP ITALIA  
VIA CERVI 15  
COLLEGNO (TORINO)

H1	ADDED PLATING INFORMATION	H.Y	G.T	01 APR 2008
H	ADDED DASH 3	HY	G.T.	21 JAN 2008

C	Rivisto e ridisegnato	DR	CHK	DATE
				9-1-73

WIRE RANGE INSULATION TYPE  
4-6 mm<sup>2</sup> | 38-51 Dia. Auto-Mach.

CLASS .250 Series

DR	APP	DE	NO	REV
DR	APP	DE	C-180353	H1

TOLERANCE EXCEPT AS NOTED ± 0,4 ± 10 0'

SCALE 4:1 LOC I A

DR *LOAN* 9.1.73  
CHK *...* 10-1-73

NAME *Faston Tab.*