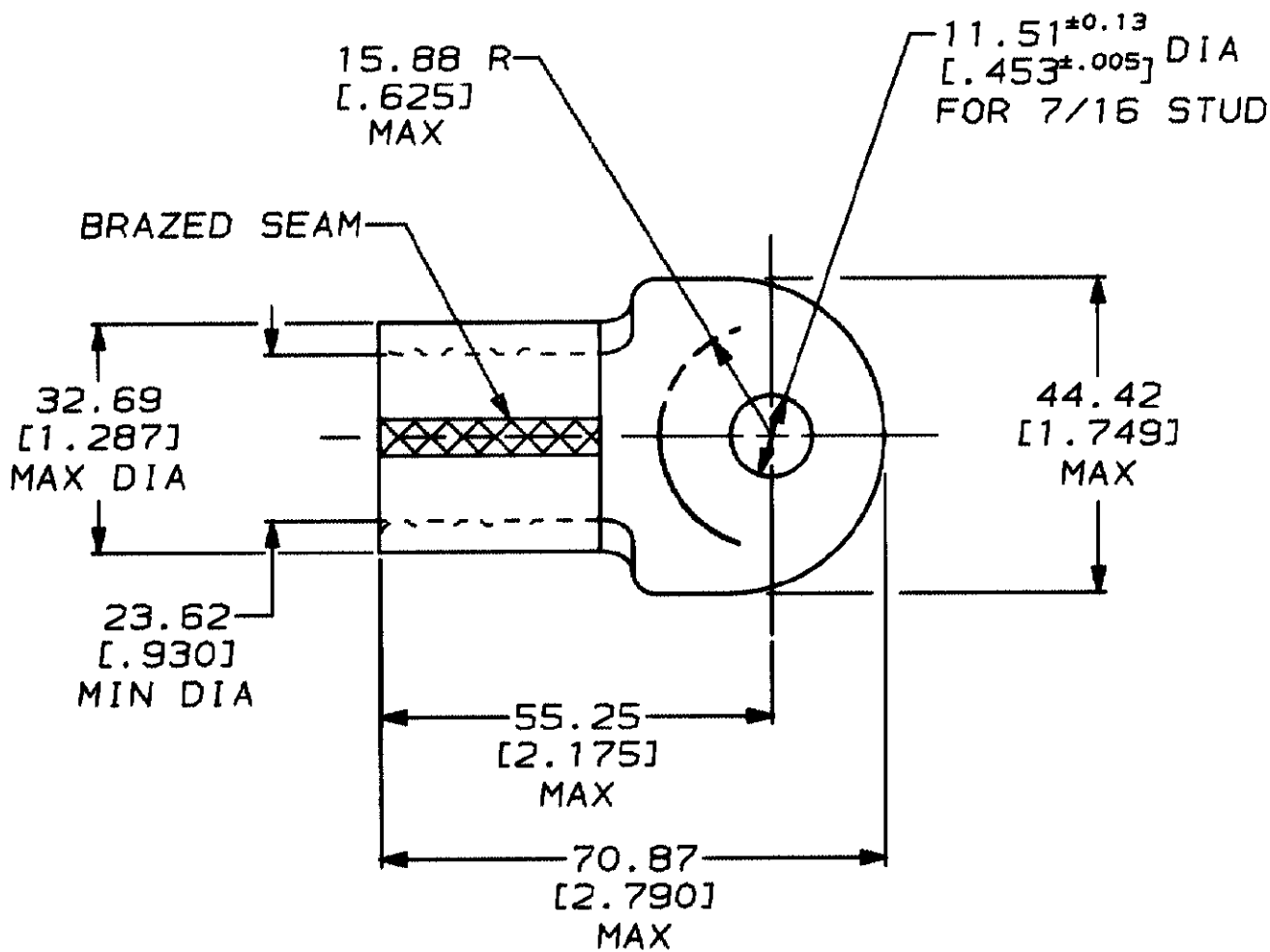


LOC	DIST	P	F	LTR	DESCRIPTION	DATE	APPROVED
G	14			F	REVISED & REDRAWN PER G-5803	6/12/92	DKS / AJK

THIS DRAWING IS UNPUBLISHED. RELEASED FOR PUBLICATION BY AMP INCORPORATED. ALL INTERNATIONAL RIGHTS RESERVED. © COPYRIGHT 19



322263  
PART NO

DO NOT SCALE PRINT. UNLESS SPECIFIED DIMENSIONS IN mm [IN] TOLERANCES ON: 2 PLC DEC ± 0.20 [.008] 3 PLC DEC ± - ANGLES * -	DR 6/12/92 DK SCHRUM	<b>AMP</b> AMP Incorporated Harrisburg, PA 17105-3608		
	CHK 6/26/92 RD HEIM			
MATERIAL COPPER ASTM B-152 ANNEALED	APPD 6/26/92 AJ KAUFMAN	NAME TERMINAL, RING TONGUE, SOLISTRAND™ WIRE SIZE: 203.0mm <sup>2</sup> [400] MCM		
	APPD 6/26/92 CR RHOADS			
FINISH TIN PLATE 0.00254 [.000100] MIN THK PER MIL-T-10727	PRODUCT SPEC -	SIZE <b>A</b>	CAGE CODE 00779	DRAWING NO <b>C-322263</b>
WEIGHT -	APPLICATION SPEC -	SCALE 1:1	SHEET 1 OF 1	