

## SUMMARY

### # Wires

Low	3
High	0
Coax	0
Triax	0
Quad	0
Fiber	0
Fluidic	0

Series	2B
Termination type	Female crimp
IP rating	50
Cable Ø	9.30 - 9.90 mm
Matching parts	EGJ.2B.303.CYC
Status	
Alternative part	



Image is for illustrative purpose only

### Download

[Request a quote](#)

[Catalog](#)

## TECHNICAL DETAILS

### Mechanics

Shell Style/Model	FG*: Straight plug, cable collet
Keying	2 keys (alpha=37.5, plug: female contacts, receptacle: male contacts)
Housing Material	Brass (chrome plated) shell and collet nut, nickel plated brass latch sleeve and mid pieces
Cable Fixing	D99: 9.3 - 9.9 mm
Variant	

### Performance

Configuration	2B.303 : 3 Low Voltage
Insulator	Y: PEEK for crimp contacts
Rated Current	17 Amps

### Specifications

Contact Type: Crimp
Max. Matings: 5000
Contact Retention: 50 N
Contact Dia.: 1.6 mm (0.063in)
Bucket Dia.: 1.9 mm (0.075in)
Min. Conductor: 1 mm <sup>2</sup> (AWG 18)

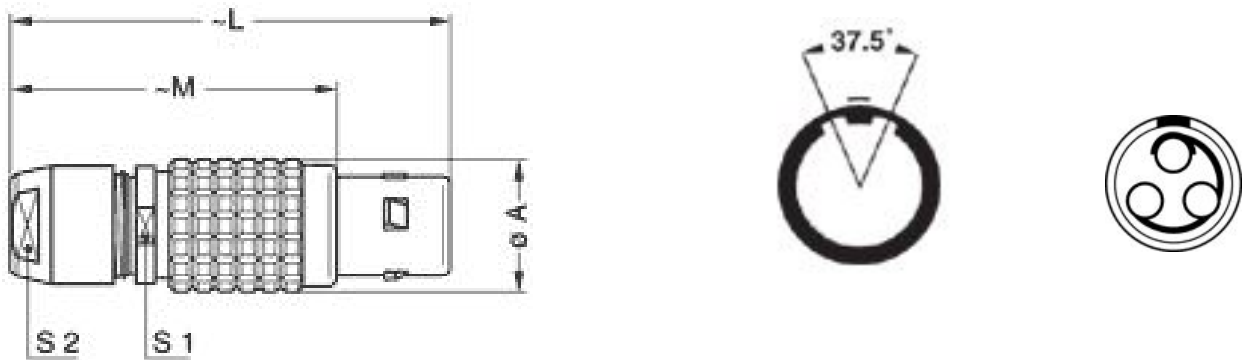
Max. Conductor: 1.5 mm<sup>2</sup> (AWG 14)  
 R (max): 3.5 mOhm  
 Vtest (contact-shell): 1900 V (AC), 2700 V (DC)  
 Vtest (contact-contact): 1900 V (AC), 2700 V (DC)

## Others

Temp (min / max): -55° C / +250° C  
 Humidity (max): <=95% [at 60 deg C / 140 F]  
 Vibration: 15 g [10 Hz - 2000 Hz]  
 Shock Resistance: 100 g [ 6 ms]  
 Salt Spray Corrosion: >1000 hr  
 Climatological Category: 50/175/21  
 Shielding (min): 75 dB (10 MHz)  
 Shielding (min): 40 dB (1 GHz)  
 IP Rating: 50

## DRAWINGS

### Draws



### Dimensions

	A	L	M	S1	S2
mm.	15	50	38	13	12
in.	0,59	1,97	1,50	0,51	0,47

## RECOMMENDED BY LEMO

### Tools

Crimp Tool: DPC.91.101.A  
 Crimp settings: AWG/Selector = 14-16-18/7-6-5

Positionner: DCE.91.162.BVCM  
Extractor: DCF.91.162.2LT  
Replacement contact: EGG.2B.670.ZZM  
Spanner wrench: MTZ.2B.220.120

## Cables