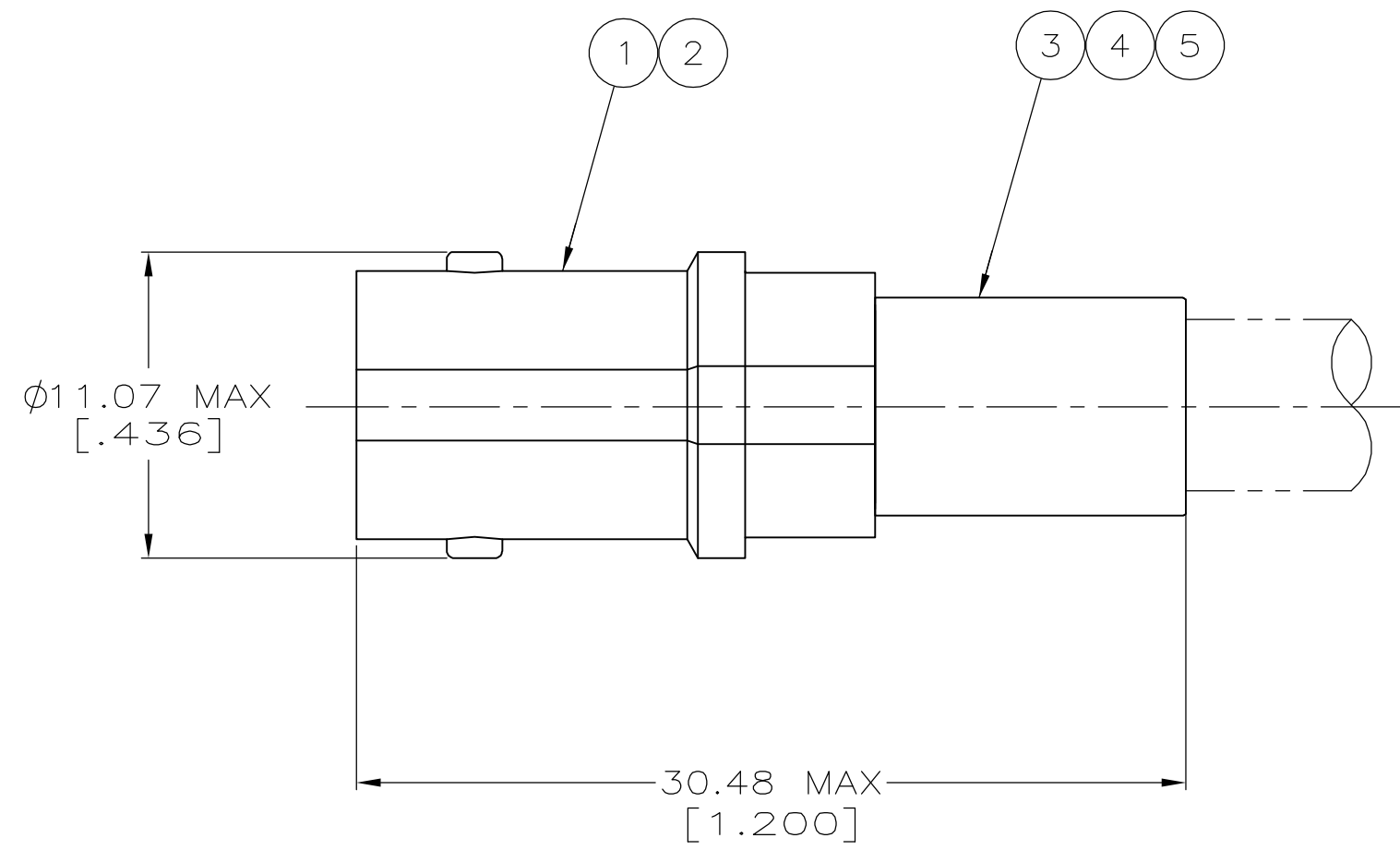
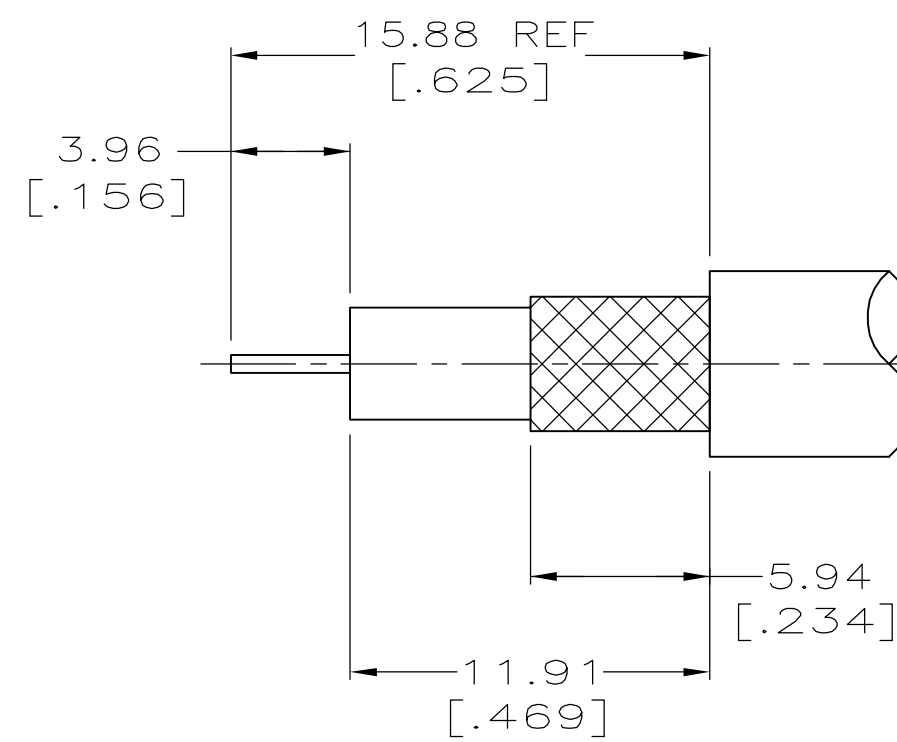


THIS DRAWING IS UNPUBLISHED. RELEASED FOR PUBLICATION
 © COPYRIGHT BY TYCO ELECTRONICS CORPORATION. ALL RIGHTS RESERVED.

| LOC | DIST | REVISIONS | | | |
|-----|------|-------------|-----------------------------|---------|-------|
| P | LTR | DESCRIPTION | DATE | DWN | APVD |
| AJ | 17 | A | REVISED PER EC OS14-0150-05 | 30AUG05 | BM JL |



- 1 USE WITH PRO-CRIMPER 354940-1.
- 2. USE INSTRUCTION SHEET 408-9090.
- 3. DIELECTRIC MUST WITHSHAND A 5 LB PUSH OUT FORCE.



RECOMMENDED STRIP LENGTH

| | | | | | | | |
|----------------------------|---------|-----------------------|-------------------------|-----------------|-----------------|-----------------------|-------------|
| RG-179 | 58304-1 | 222001-8 | 227194-2 | 9-328666-0 | 2-221200-0 | 221202-3 | 5221199-5 |
| RG-59/U,59A/U & 59B/U | 58085-1 | - | - | 9-50428-0 | 221200-3 | 221202-2 | 5221199-2 |
| BELDEN 9248, MADISON 18AWG | 58086-1 | - | - | 9-50427-0 | 3-221200-2 | 221202-1 | 5221199-1 |
| FOR USE WITH CABLE | DIE SET | 5 TUBING, METAL QTY=1 | 4 TUBING, PLASTIC QTY=1 | 3 FERRULE QTY=1 | 2 CONTACT QTY=1 | 1 JACK ASSEMBLY QTY=1 | PART NUMBER |

THIS DRAWING IS A CONTROLLED DOCUMENT.

| | | |
|------|------------|-----------|
| DWN | J. HAVENER | 24JAN2005 |
| CHK | J. HAVENER | 25JAN2005 |
| APVD | J. LIPPERT | 25JAN2005 |

PRODUCT SPEC: 108-12095
 APPLICATION SPEC: -

NAME: JACK, 75 OHM, BNC

| | | | |
|------|-----------|------------|---------------|
| SIZE | CAGE CODE | DRAWING NO | RESTRICTED TO |
| A2 | 00779 | C=5221199 | - |

CUSTOMER DRAWING SCALE 4:1 SHEET 1 OF 1 REV A