

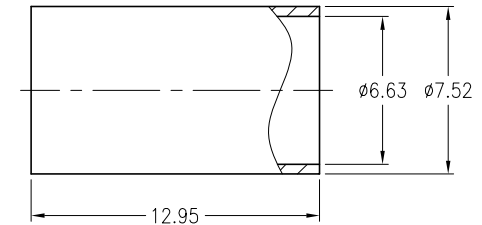
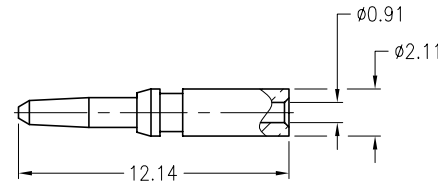
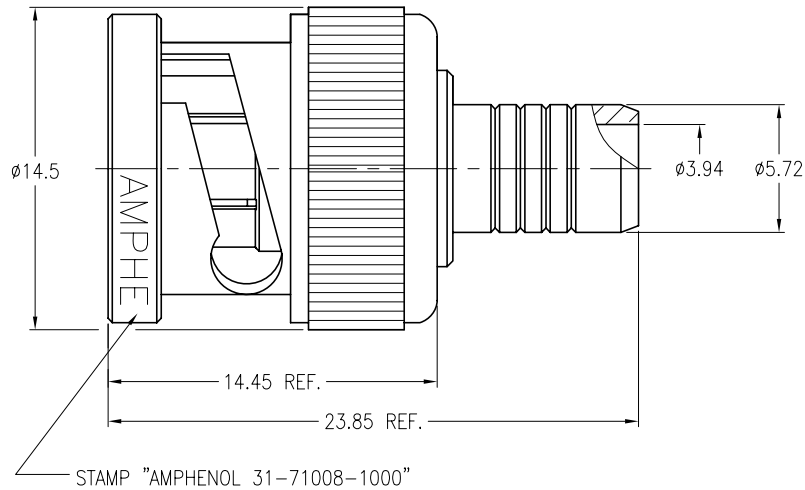
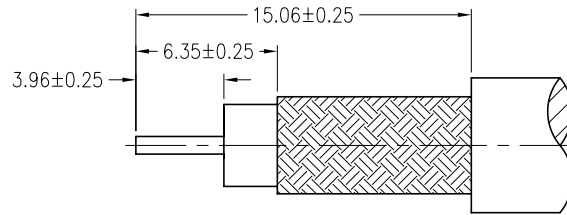
NOTES:

- MATERIALS AND FINISHES:
 BODY - BRASS, NICKEL PLATING
 CONTACT - BRASS, GOLD PLATING
 INSULATOR - TEFLON, NATURAL
- ELECTRICAL:
 A. IMPEDANCE: 75 OHM
 B. FREQUENCY RANGE: DC 0-2 GHz
 C. DIELECTRIC WITHSTANDING VOLTAGE: 1500 VRMS, MIN.
- MECHANICAL:
 A. DURABILITY: 500 CYCLES MIN.
 B. TEMPERATURE RANGE: - 65°C to +165°C
- WHEN SOLDERING CONTACT TO CABLE,
 ROSIN CORE SOFT SOLDER PER QQ-S-571, Sn60 IS RECOMMENDED.
 WHEN CRIMPING CONTACT PIN TO CABLE, CRIMP WITH AMPHENOL TOOL
 227-944 (M22520/5-01) AND DIE SET 227-1221-13, CAVITY 'B'
 (M22520/5-13, CLOSURE 'B'). (OR CTL-1, .068 HEX)
- WHEN CRIMPING FERRULE TO CABLE, CRIMP WITH AMPHENOL TOOL
 227-944 (M22520/5-01) AND DIE SET 227-1221-13, CAVITY 'A'
 (M22520/5-13, CLOSURE 'A'). (OR CTL-1, .255 HEX)
- USE WITH BELDEN 1505A, 1426A, 9659, 9259, 9240, 8212, 9274,
 9275, 9100 CABLES, AND CLARK CV7559 CABLES.

THIRD ANGLE PROJ.

REVISIONS

REV	DESCRIPTION	DATE	ECO	APPR
A2	SEE SHEET 1	15-Apr-03	--	TOM
A3	SEE SHEET 1	30-Jun-05	--	SH
B	SEE SHEET 1	27-Jul-05	--	SH
B1	SEE SHEET 1	16-Aug-05	--	SH
C	SEE SHEET 1	03-Mar-08	--	A.WU
E	SEE SHEET 1	24-Mar-10	47967	SH



CUSTOMER OUTLINE DRAWING

ALL OTHER SHEETS ARE FOR INTERNAL USE ONLY

UNLESS OTHERWISE SPECIFIED, DIMENSIONS ARE IN METRIC AND TOLERANCES ARE:
 <0.5mm ±0.05mm 0.5 - 6mm ±0.1mm 6 - 30mm ±0.2mm 30 - 120mm ±0.3mm ANGLES ±1°

NOTICE - These drawings, specifications, or other data (1) are, and remain the property of Amphenol Corp. (2) must be returned upon request; and (3) are confidential and not to be disclosed to any person other than those to whom they are given by Amphenol Corp. The furnishing of these drawings, specifications, or other data by Amphenol Corp., or to any other person to anyone for any purpose is not to be regarded by implication or otherwise in any manner licensing, granting rights or permitting such holder or any other person to manufacture, use or sell any product, process or design, patented or otherwise, that may in any way be related to or disclosed by said drawings, specifications, or other data.

MATERIAL	DRAWN	DATE	TITLE		Amphenol RF Danbury CT USA, Tainan Taiwan, Shenzhen China www.amphenolrf.com
	T.DENG	26-Jan-10	BNC PLUG (75 OHM) FOR RG 59/U TYPE CABLE (0.81 CENTER CONDUCTOR)		
REFERENCE	ENGINEER	DATE	SCALE: 3/1		DRAWING NO. 31-71008-1000
	C.WANG	26-Jan-10	SHEET 2 OF 2		ITEM NO. 31-71008-1000
FINISH	APPROVED	DATE	DWG SIZE	CODE ID	REV
	S.HSIEH	24-Mar-10	B	74868	E
	CAD FILE	F:\DWG\CNPD\31\71008\1000-ESZ			
					PART NO. 31-71008-1000