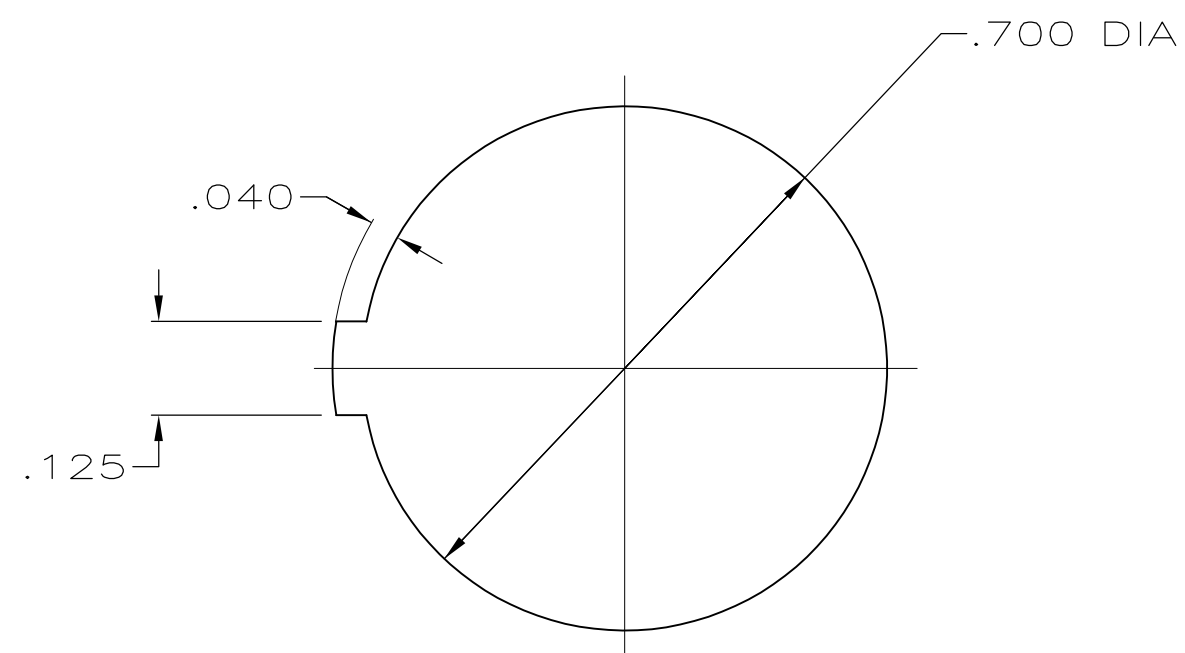
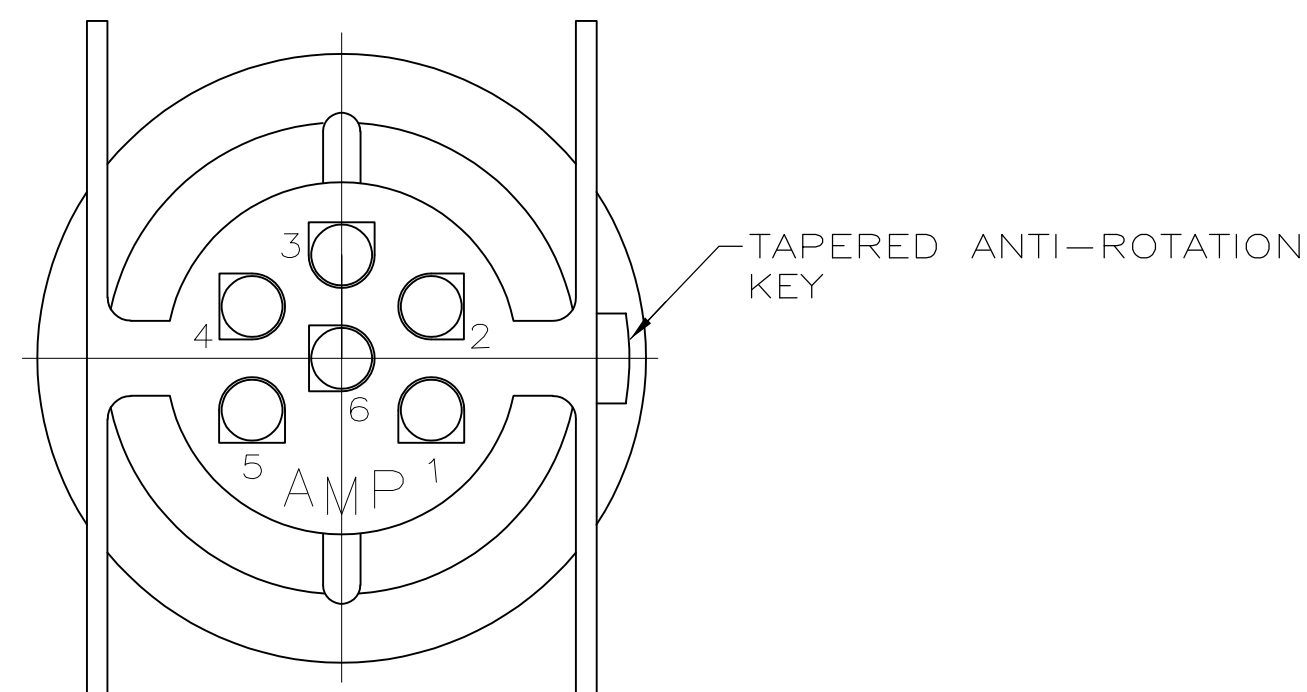
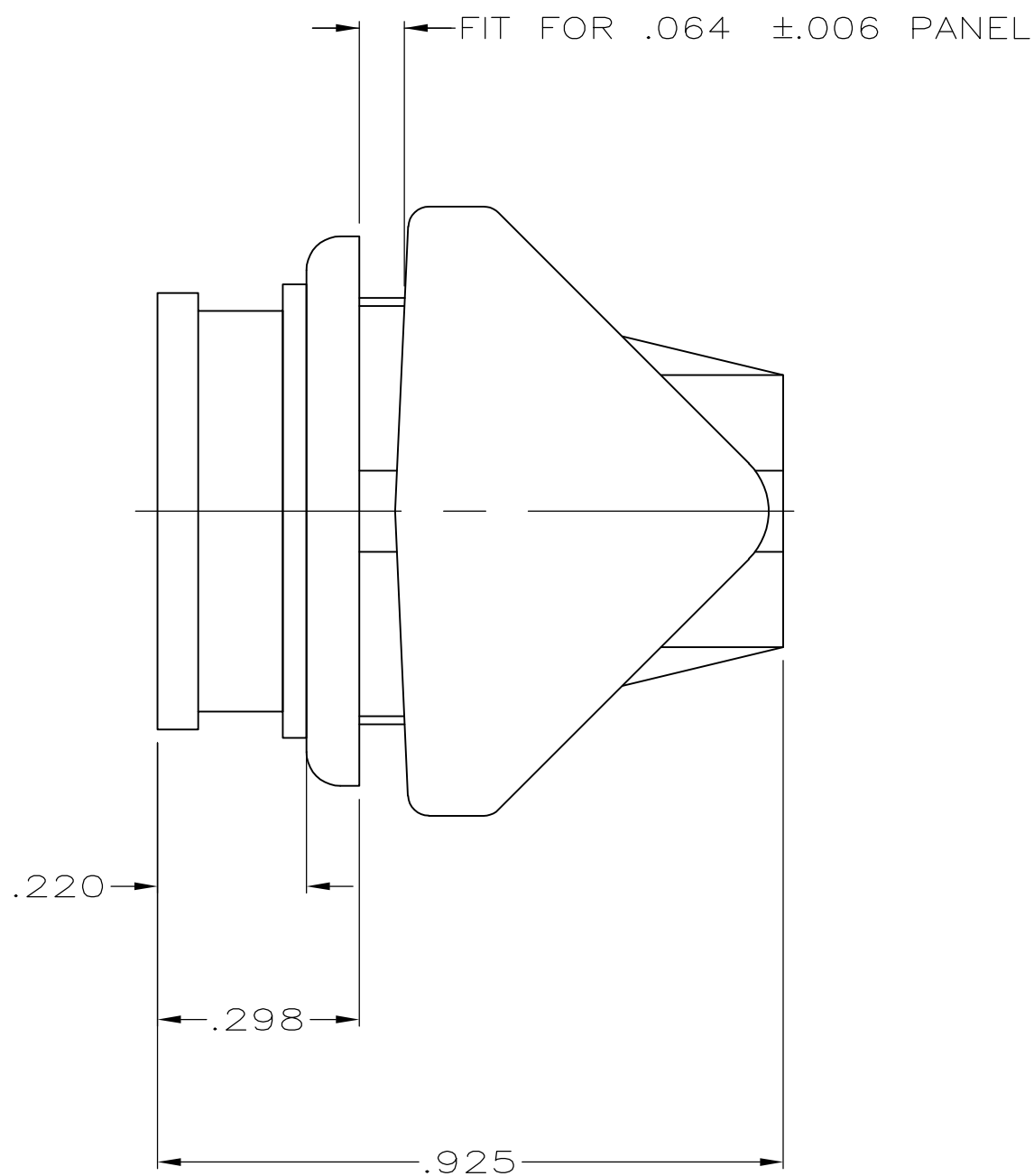
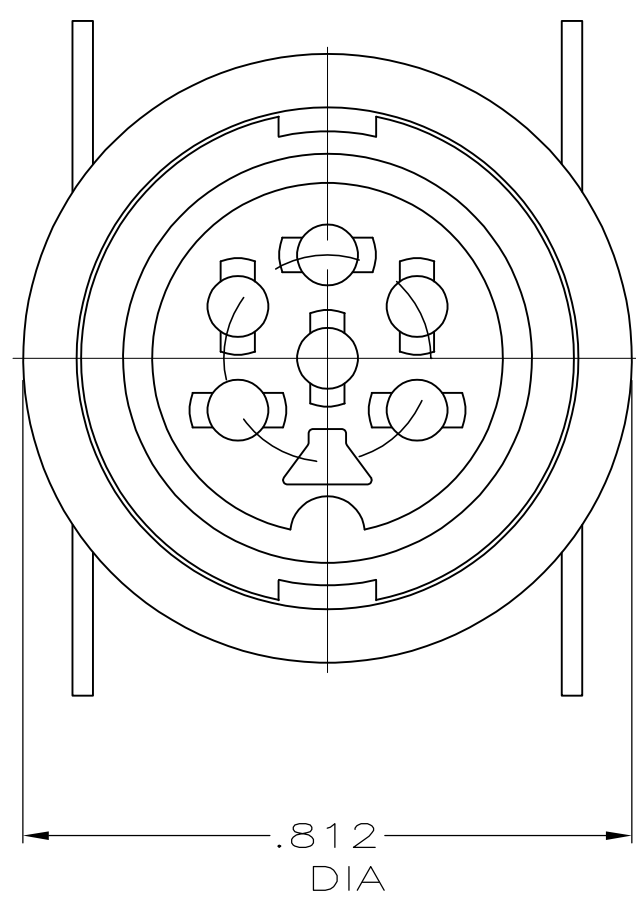


THIS DRAWING IS UNPUBLISHED. RELEASED FOR PUBLICATION
 © COPYRIGHT - By - ALL RIGHTS RESERVED.

LOC		DIST		REVISIONS			
P	LTR	DESCRIPTION		DATE	DWN	APVD	
BD	39	E1	REVISED PER ECO-11-004917		11MAR11	RK	HMR



RECOMMENDED PANEL CUT-OUT

1. HOUSING TO BE INSERTED FROM PUNCHED SIDE OF PANEL.

207333-1
PART NUMBER

THIS DRAWING IS A CONTROLLED DOCUMENT.		DWN	A.STAUB BG 9/5/90		TE TE Connectivity	
DIMENSIONS: INCHES		CHK	-			
TOLERANCES UNLESS OTHERWISE SPECIFIED:		APVD	-		NAME	
0 PLC ± -		PRODUCT SPEC	-		HOUSING, SOCKET, SNAP-IN AUDIO MICROPHONE CONNECTOR 6 POSITION	
1 PLC ± -		APPLICATION SPEC	-		SIZE	CAGE CODE
2 PLC ± -		WEIGHT	-		A2	00779
3 PLC ± .005		CUSTOMER DRAWING	-		DRAWING NO	RESTRICTED TO
4 PLC ± -		SCALE	4:1		207333	-
4 ANGLES ± -		SHEET	1 of 1		REV	E1
FINISH						
MATERIAL THERMOPLASTIC COLOR-BLACK						