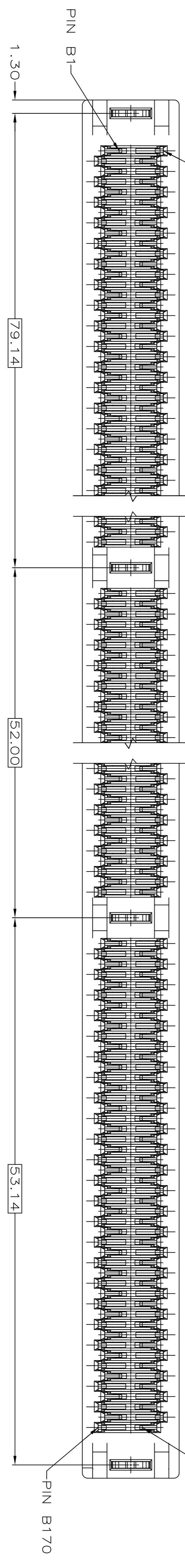
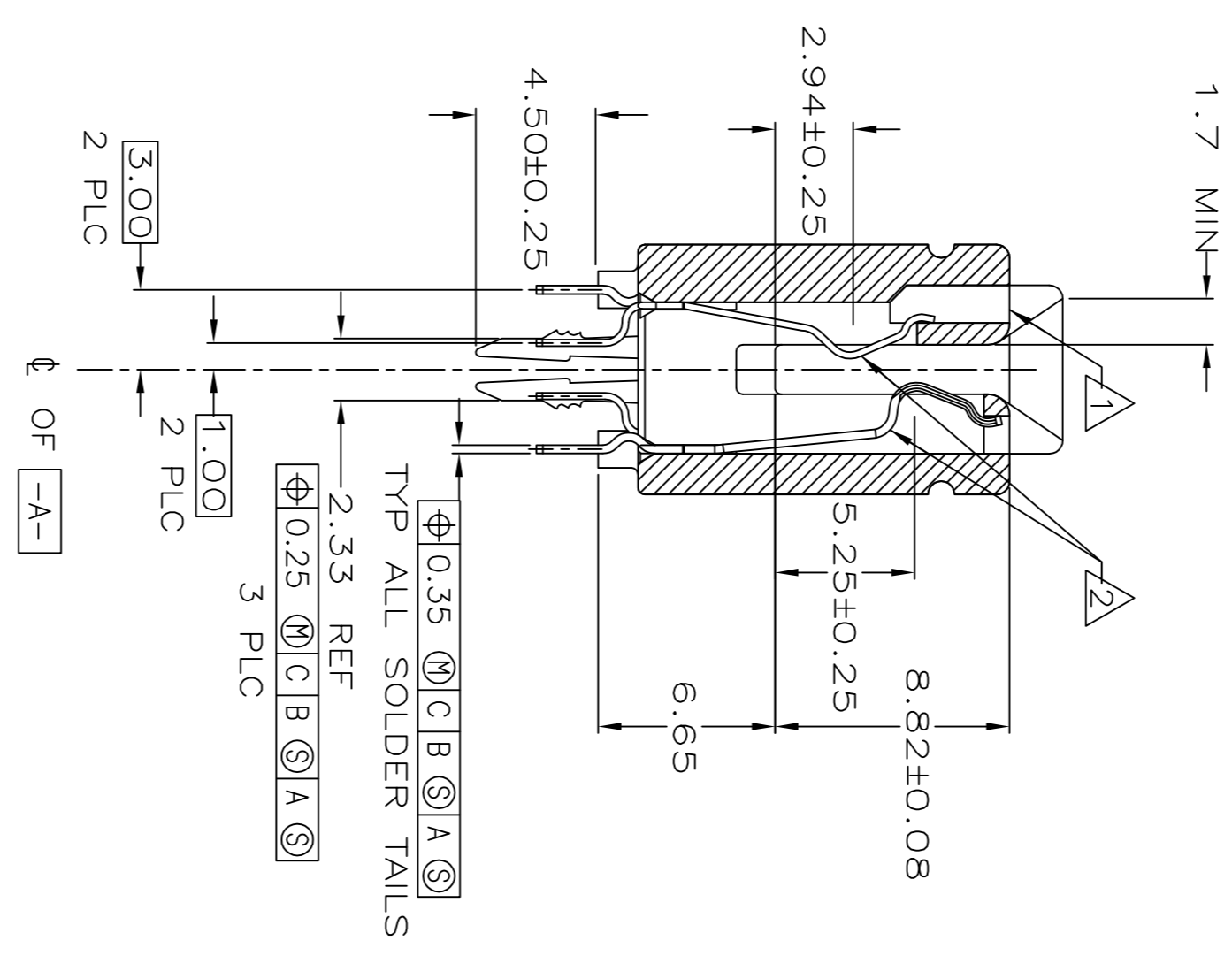
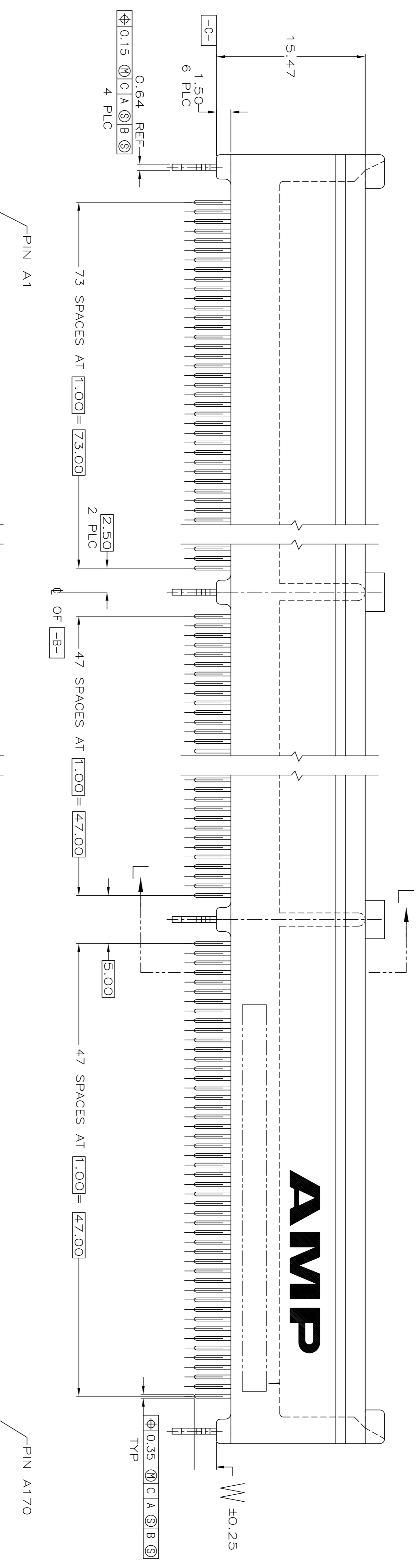
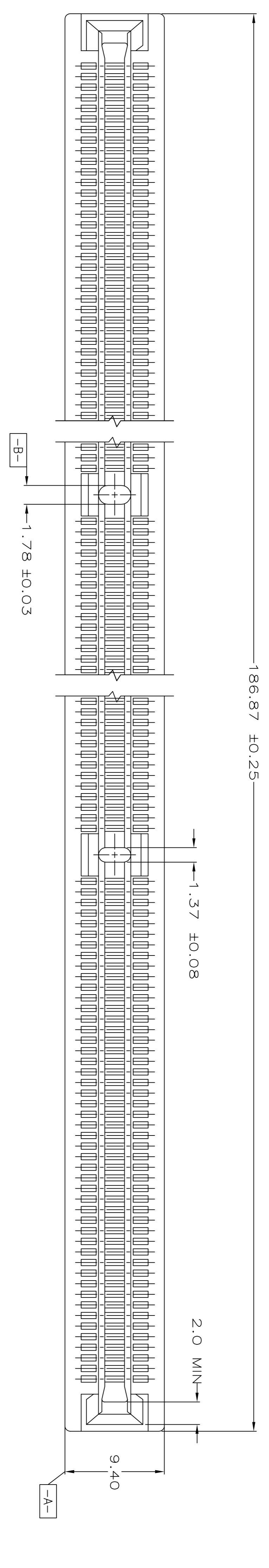


REV	DESCRIPTION	DATE	BY	APP'D
0	PRODUCT RELEASE	1/7/97	RB	MB
A	REVISED PER 0430-0045-97	2/3/97	RB	MB
B	REVISED PER 0430-0286-97	8/14/97	RB	MB
C	REVISED PER 0430-0435-97	11/12/97	RB	MB
D	REVISED PER 0G51-0045-98	4/20/98	RB	DD
E	REVISED PER 0G51-0107-98	8/4/98	RB	DD
F	REV PER EC 0G51-0226-98	01/17/99	NM	EL
G	REV PER EC 0G51-0294-98	01/20/99	NM	DD
H	REV PER 0G51-0062-99	05/17/99	NM	EL
H1	REV PER ECO-10-000443	13ANN10	KK	AEG
J	REVISED ECR-10-002742	08ECC10	AZ	MW



- △ MATERIAL: HOUSING, THERMOPLASTIC, COLOR: BROWN.
CONTACTS, PHOSPHOR BRONZE.
HOLD-DOWNS, BRASS.
- △ FINISH: CONTACTS, 1.27 MIN. MICROMETERS GOLD ALL OVER,
0.38 MIN. MICROMETERS GOLD OVER NICKEL IN CONTACT AREA,
2.54 MIN MICROMETERS TIN-LEAD OVER NICKEL ON SOLDER TAILS.
- △ FINISH: CONTACTS, 1.27 MIN. MICROMETERS NICKEL ALL OVER,
0.0254-0.0762 MICROMETERS GOLD OVER NICKEL IN CONTACT AREA,
2.54 MIN. MICROMETERS TIN-LEAD OVER NICKEL ON SOLDER TAILS.
- △ OBSOLETE PARTS: OBSOLETE CIS STREAMLINING PER D.RENAUD/D.SINISI

REV	DESCRIPTION	DATE	BY	APP'D
△	OBSOLETE	3-18	145275-6	
△	OBSOLETE	2-54	145275-5	
△	OBSOLETE	3-18	145275-3	
△	OBSOLETE	2-54	145275-2	
△	OBSOLETE	2-16	145275-1	

THIS DRAWING IS A CONTROLLED DOCUMENT.

DATE: 1/7/97

BY: R. BROWN

APP'D: M. BOWERS

AMP Incorporated
Harrisburg, PA 17105-3608

ASSEMBLY, 340 POSITION
1mm, CARD EDGE CONNECTOR

SIZE: A1

DATE CODE: 00779

DRAWING NO: 145275

SCALE: 4:1

SHEET: 1 OF 2

REV: J

