

PART NUMBER	REV	FIRST USED	TERMINATOR	FEED TYPE	DESCRIPTION
1426215-1	B	-	LEADMAKER	MECH POST FEED	CUTS CARRIER
1426215-2	B	-	BENCH	MECH PRE FEED	CUTS CARRIER
1426215-6	B	-	LEADMAKER	MECH POST FEED	CONTINUOUS CARRIER
7-1426215-1	B	-	LEADMAKER	MECH POST FEED	-1 AND SPARE PARTS
7-1426215-2	B	-	BENCH	MECH PRE FEED	-2 AND SPARE PARTS
7-1426215-6	B	-	LEADMAKER	MECH POST FEED	-6 AND SPARE PARTS
7-1426215-7	A	-	-	-	SPARE PARTS KIT

**CRIMP DATA** AMP TERMINAL AMP CRIMP SPECS

CRIMP	SIZE	TYPE	RANGE
WIRE	1.57 [ .062 IN]	F	24 - 20 AWG
INSUL	2.03 [ .080 IN]	F	1.22-1.80 [ .048-.071 IN]
WIRE STRIP LENGTH		APPL INSTRUCTION	
2.92-3.68 [ .115-.145 IN]		408-8322	

TERMINAL	FEED
APPL SPEC 114-2083	7.37 [ .290 IN]

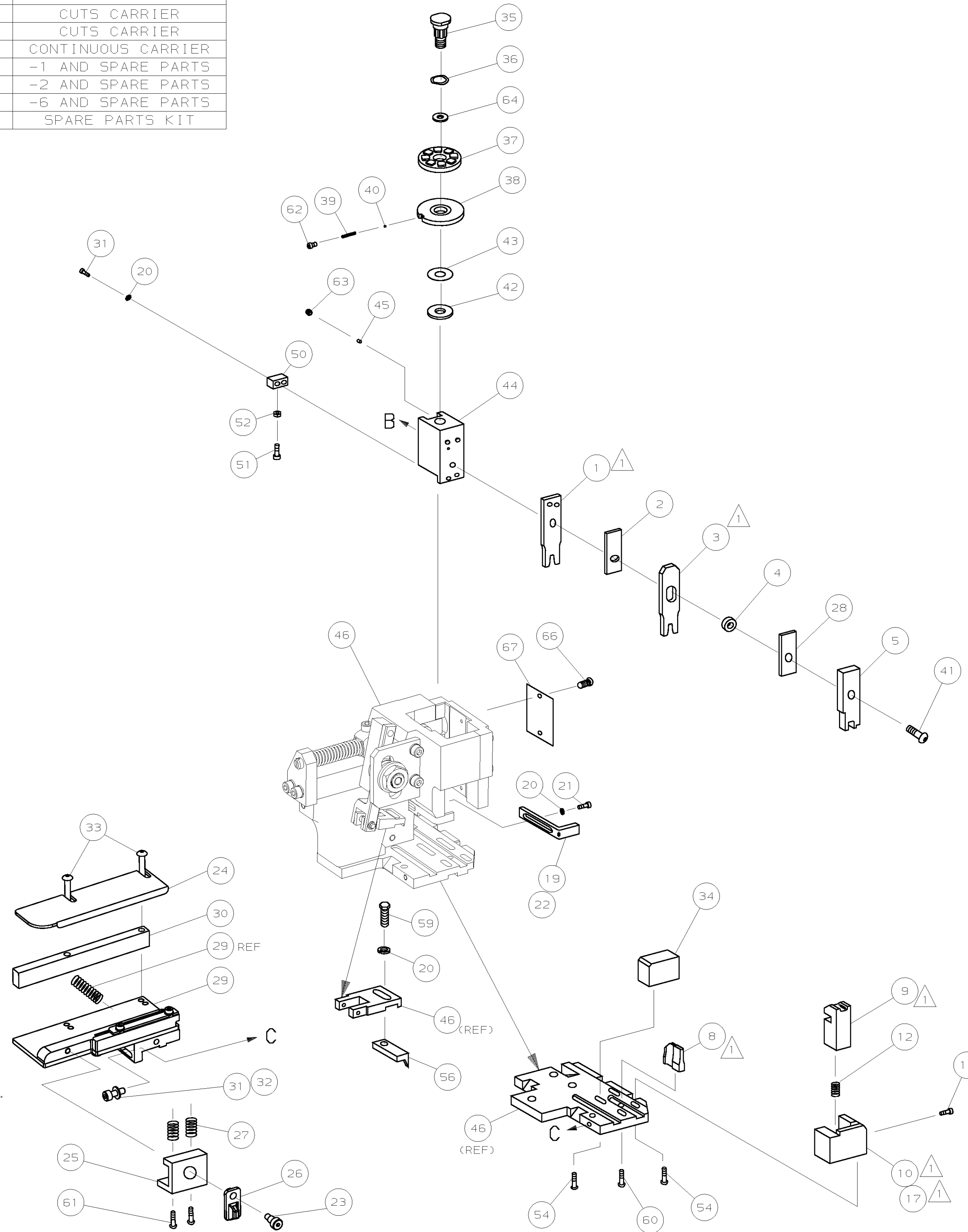
**TERMINALS APPLIED**

TERMINAL	QTY	DESCRIPTION
60885	-	-
60348	-	-
60373	-	-
42428	-	-

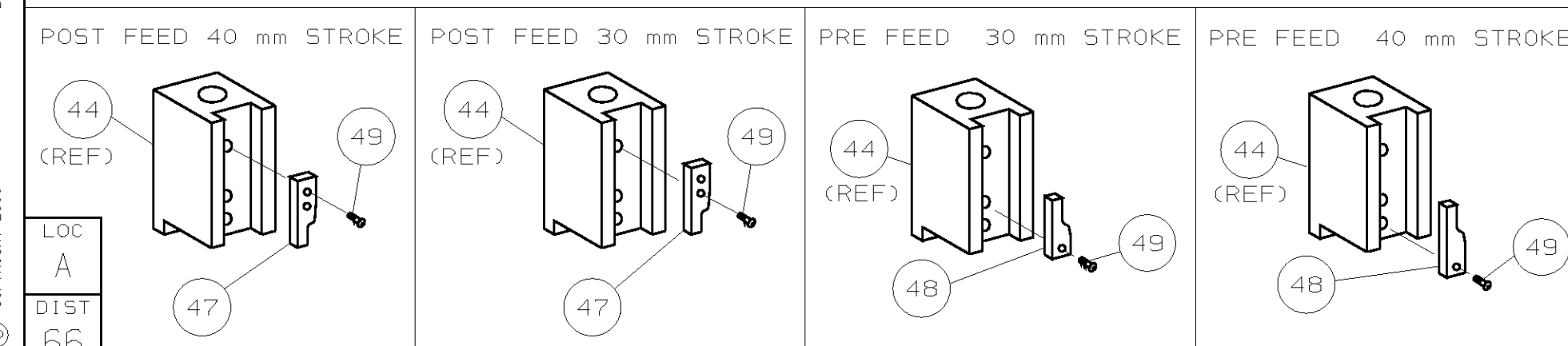
WIRE SIZE	CRIMP HEIGHT	PIN PN AND LENGTH [IN]
mm² AWG		
20 AWG	1.17 ±0.05 [ .046 ±.002 IN]	2-354779-5 [ .3115]
22 AWG	1.09 ±0.05 [ .043 ±.002 IN]	3-354779-2 [ .3150]
24 AWG	1.02 ±0.05 [ .040 ±.002 IN]	3-354779-9 [ .3185]

LAYOUT L1426215  
SET UP GAUGE 458637-3

- ⚠️ RECOMMENDED SPARE PARTS.
- 2. GREASE RAM, CAM, CAM FOLLOWER AND FEED ROD LIGHTLY.
- 3. LUBRICATE DAILY PER THE APPLICATOR INSTRUCTION SHEET SUPPLIED WITH THE APPLICATOR.
- ⚠️ POSITION REAR STRIP GUIDE IN INSULATION BARREL TRANSITION.



**VIEW B ROTATED 180°**



FENCE SET-UP DIM 1.0 [ .04 IN]

QTY	REV	PART NO	DESCRIPTION	ITEM NO
-	1	1426215	PRINT, APPLICATOR LOG SHEET	73
-	1	1338705-1	DOCUMENTATION PACKAGE	72
-	1	-	-	71
-	1	-	-	70
-	1	-	-	69
-	1	-	-	68
-	1	461264-1	PLATE, IDENTIFICATION	67
-	2	21017-2	SCR,DRIVE (#2x.19) ID PLATE	66
-	1	-	-	65
-	1	986950-1	WASHER, FLAT PRECISION	64
-	1	3-18031-0	SCR,SKT SET (M6X6) RAM	63
-	1	18023-9	SCR,SHC (M4X6) INS DISC	62
-	2	1-18024-5	SCR,BHC (M5X25) DRAG	61
-	1	18024-7	SCR,BHC (M4X10) ANVIL	60
-	1	5-18022-2	SCR,HEX (M4X8) FEED FINGER	59
-	1	-	-	58
-	1	-	-	57
-	1	1338685-1	PAWL, FEED	56
-	1	-	-	55
-	4	18024-8	SCR,BHC (M4X12) SHEAR HOLDER	54
-	1	-	-	53
-	1	18030-1	NUT, HEX (M3) HOLD DOWN	52
-	1	811242-5	BUMPER, HOLDDOWN	51
-	1	690753-2	SPACER, TONKER	50
-	1	18024-3	SCR,BHC (M3X10) CAM	49
-	1	1338675-1	CAM, PRE FEED 30 & 40 mm ST	48
-	1	1338676-1	CAM, POST FEED 30 & 40 mm ST	47
-	1	1320999-3	APPLICATOR BASIC SUBASSY	46
-	1	690191-1	PLUG, NYLON	45
-	1	1338660-1	RAM	44
-	1	690125-1	WASHER, LAMINATED	43
-	1	690124-1	WASHER, RAM	42
-	1	2-18024-6	SCR,BHC (M8X25) RAM	41
-	1	23241-1	BALL, STEEL	40
-	1	2-22278-7	SPRING, COMPRESSION	39
-	1	1320922-1	DISC, INSULATION	38
-	1	354777-1	WIRE DISC, PLASTIC	37
-	1	22480-5	WASHER, SPRING	36
-	1	690212-1	POST, RAM	35
-	1	1320934-5	SUPPORT, TERMINAL	34
-	2	1-18024-0	SCR,BHC (M4X20) STRIP GUIDE	33
-	1	18027-2	WASHER, FLAT (M4)	32
-	3	1-18023-2	SCR,SKT CAP (M4X12) MOUNT BLOCK	31
-	1	1320908-1	SPACER, STRIP GUIDE	30
-	1	1633073-1	STRIP GUIDE PLATE ASSY	29
-	1	1-455888-0	SPACER, FRONT SHEAR DEP	28
-	2	1-22284-0	SPRING, DRAG	27
-	1	356835-1	LEVER, DRAG RELEASE	26
-	1	240792-1	DRAG, TERMINAL	25
-	1	1320928-1	PLATE, STRIP GUIDE	24
-	1	980371-4	SCR,SHC SHLD	23
-	1	690472-2	STRIPPER	22
-	1	1-18023-1	SCR,SHC (M4X10) STRIPPER	21
-	4	18025-2	WASHER, LOCK (M4) STRIPPER	20
-	1	690472-1	STRIPPER	19
-	1	-	-	18
-	1	1338684-1	HOLDER, SHEAR, FRONT (NO-CUT)	17
-	1	-	-	16
-	1	-	-	15
-	1	-	-	14
-	1	-	-	13
-	1	5-22280-0	SPRING, SHEAR	12
-	1	356885-4	STOP, SHEAR	11
-	1	1320921-1	HOLDER, SHEAR, FRONT (CUT)	10
-	1	454276-1	SHEAR, FLOAT (FRONT)	9
-	1	1-1333202-9	ANVIL	8
-	1	-	-	7
-	1	-	-	6
-	1	455889-9	DEPRESSOR, SHEAR (FRONT)	5
-	1	2-238011-2	SPACER, BLOCK CRIMPER	4
-	1	5-456134-4	CRIMPER, INSULATION	3
-	1	455888-4	SPACER, CRIMPER	2
-	1	1-456403-6	CRIMPER, WIRE	1