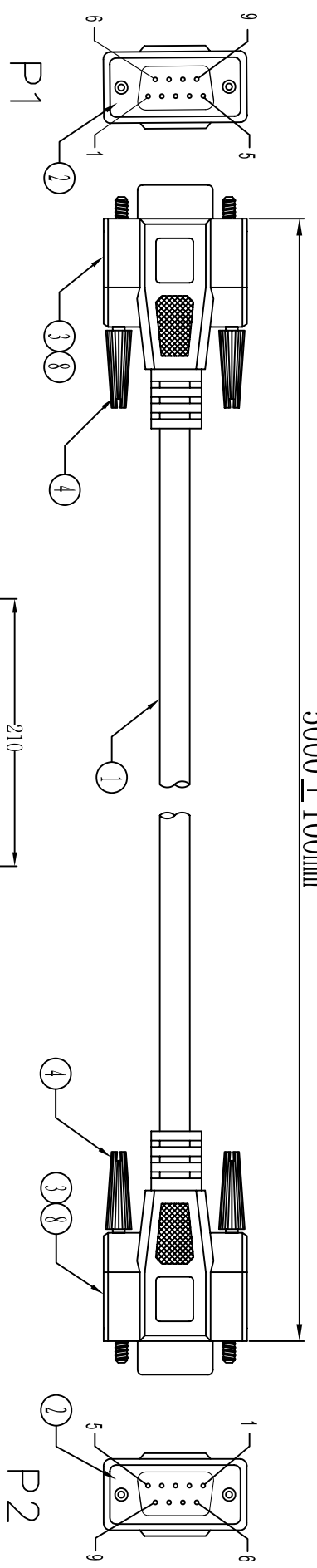
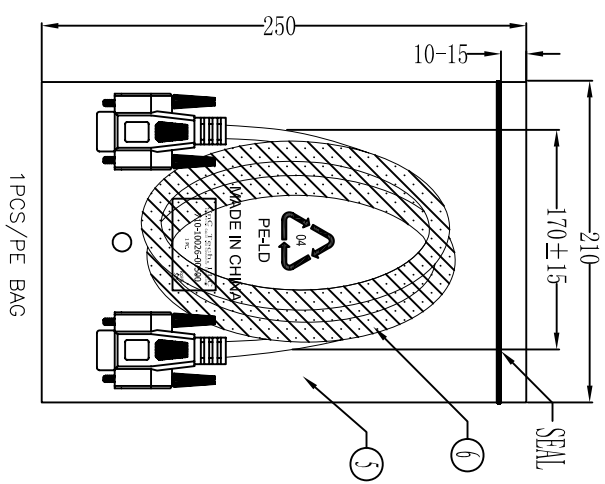


UNIT : mm



Electronic Test:  
 1.100% Test,(Open,Short,Miss Wire)  
 2.Contact Resistance:2 ohm max.  
 3.Insulation Resistance:5M ohm min.  
 4.Hi-Pot:100V DC/10ms



PIN ASSIGNMENT	
P1	P2
1 BLACK	1
2 GREY	2
3 YELLOW	3
4 PURPLE	4
5 ORANGE	5
6 RED	6
7 BROWN	7
8 GREEN	8
9 BLUE	9
SHELL D.W	SHELL

NO.	NAME	QTY	SPECIFICATION
①	TUBE	2	HEAT SHRINK TUBE BLACK OD1.5*L15MM
②	PE BAG	1/5	CLEAR SIZE:330*380*0.05mm PRINT BLACK"MADE IN CHINA"+"5PCS" 及出货时间, 有透气孔.
③	PE FILM	1	PE FILM CLEAR W35*L3000mm.
④	PE BAG	1	CLEAR SIZE:210*290*0.05mm PRINT BLACK"MADE IN CHINA" 及出货时间, 有透气孔.
⑤	SCREW	4	SCREW:#4-40UNC L47mm,NICKEL PLATED,INSULATION COLOR BEIGE(V-29)
⑥	OUT JACKET	43.5g	BEIGE(V-29) 40P PVC(MOULD NO:WM-113)
⑦	IN JACKET	8g	CLEAR LDPE(MOULD NO:NM-049)
⑧	CONN	2	DB 9PIN FEMALE PIN G/F SHELL-NICKEL SOLDER TYPE INSULATION COLOR BLUE
⑨	CABLE	1	NOUL 30AWG(7/0.10)*9C+D+W+AL/M+JACKET COROL:BEIGE(V-29) OD:5.0mm. L5000±20mm.

# CNC Tech, LLC

Industrial Cable and Connector Technology

DRAWN BY	ZHONGHIS	DRAWING NO.	
CHECKED BY		CUSTOMER	
APPROVAL BY		ITEM NO.	710-10026-00510
DECIDE BY		DATE	2012-02-06
VERSIONS/EDITION	A/0	PROJECTION	

