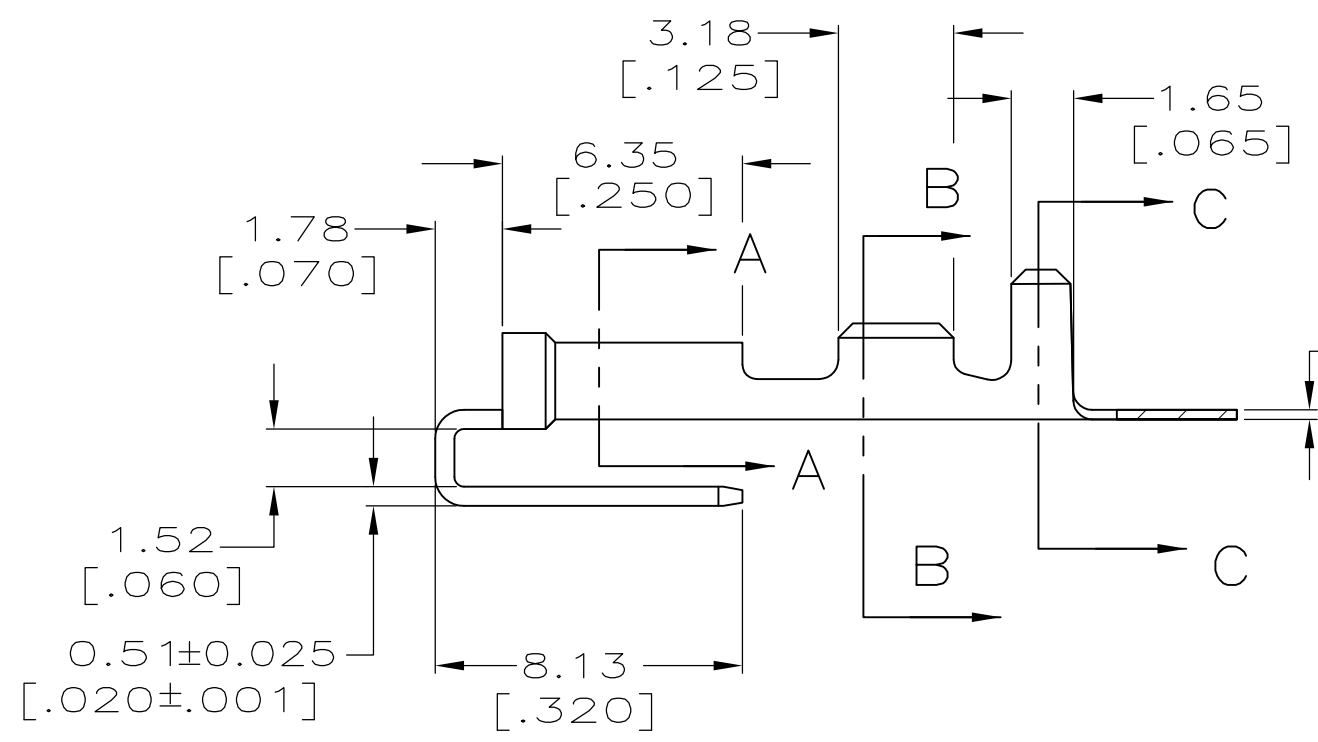
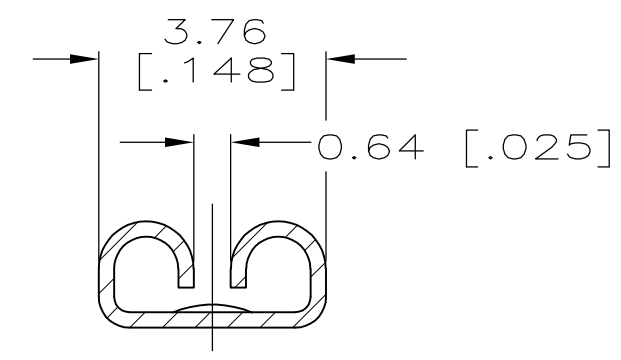
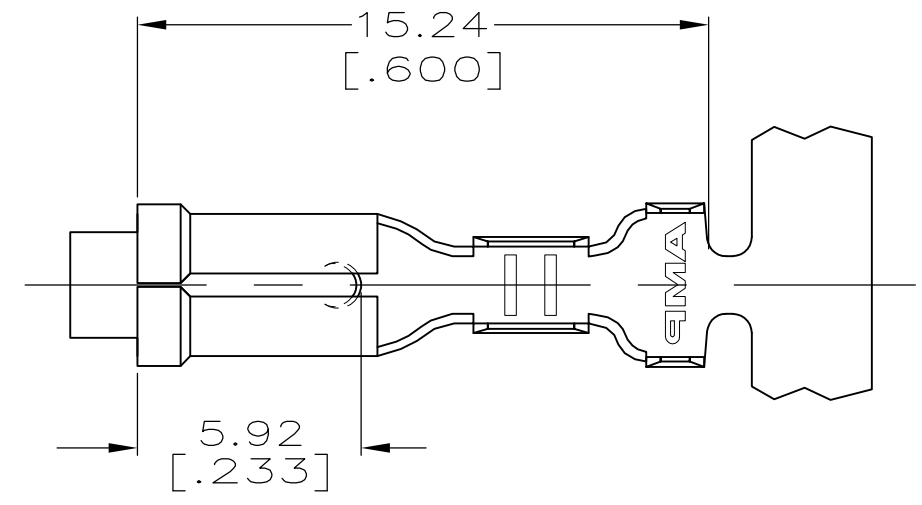


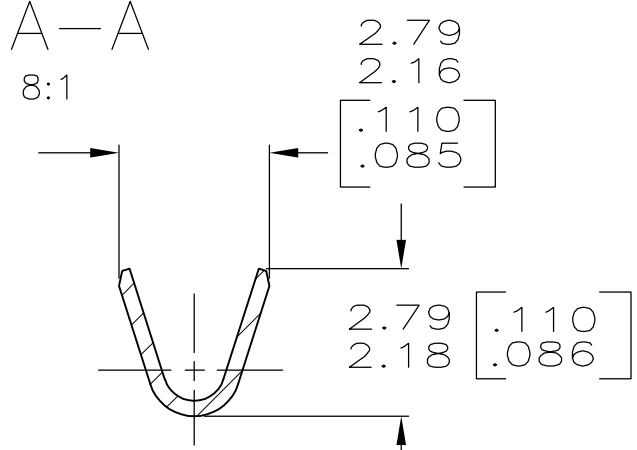
THIS DRAWING IS UNPUBLISHED. RELEASED FOR PUBLICATION
 © COPYRIGHT - By - ALL RIGHTS RESERVED.

LOC	DIST	REVISIONS			
P	LTR	DESCRIPTION	DATE	DWN	APVD
AF	50	G	REVISED PER ECR-12-013459	28NOV2012	KH PD

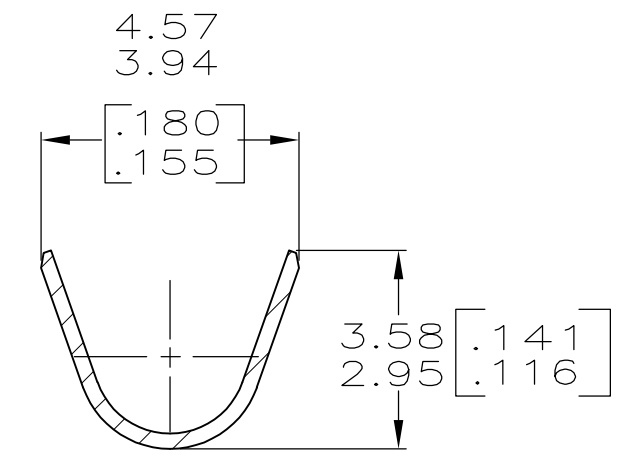
1 CONTINUOUS STRIP ON REELS.



SECTION A-A
SCALE 8:1



SECTION B-B
SCALE 8:1



SECTION C-C
SCALE 8:1

1.52-2.54 DIA [.060-.100] DIA	[#22-#18] AWG	0.508#0.025 [.020#0.001]	TIN	62003-2
INSULATION RANGE	WIRE SIZE	MATING TAB THICKNESS	FINISH	PART NO
			-	62003-1

THIS DRAWING IS A CONTROLLED DOCUMENT.		DWN JR RUTH 5/16/95	TE Connectivity RECEPTACLE, FASTON, PIGGYBACK, 2.79 [.110] SERIES											
DIMENSIONS: mm [INCHES]		CHK MS FEHER 5/16/95												
TOLERANCES UNLESS OTHERWISE SPECIFIED:		APVD P DESANTIS 5/16/95												
<table border="1"> <tr><td>0 PLC</td><td>± -</td></tr> <tr><td>1 PLC</td><td>± -</td></tr> <tr><td>2 PLC</td><td>± 0.38 [.015]</td></tr> <tr><td>3 PLC</td><td>± -</td></tr> <tr><td>4 PLC</td><td>± -</td></tr> <tr><td>ANGLES</td><td>± -</td></tr> </table>		0 PLC				± -	1 PLC	± -	2 PLC	± 0.38 [.015]	3 PLC	± -	4 PLC	± -
0 PLC	± -													
1 PLC	± -													
2 PLC	± 0.38 [.015]													
3 PLC	± -													
4 PLC	± -													
ANGLES	± -													
MATERIAL BRASS	FINISH SEE TABLE	APPLICATION SPEC -	NAME	SIZE A3	CAGE CODE 00779	DRAWING NO C-62003	RESTRICTED TO -							
CUSTOMER DRAWING			SCALE 5:1	SHEET 1 OF 1	REV G									