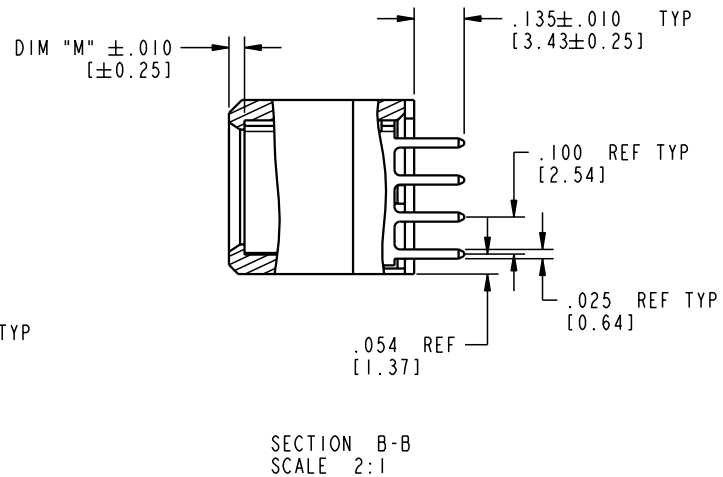
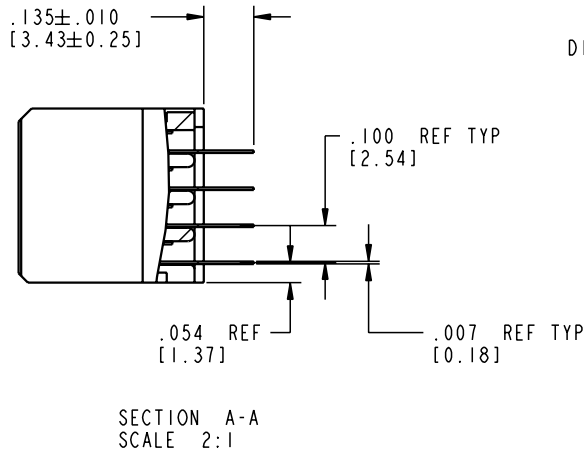


Tous droits strictement reserves. Reproduction ou communication a des tiers interdite sous quelque forme que ce soit sans autorisation ecrite du proprietaire. Propriete de c FCI. Droits de reproduction FCI.

All rights strictly reserved. Reproduction or issue to third parties in any form whatever is not permitted without written authority from the proprietor. Property of FCI. Copyright FCI.

PRODUCT NUMBER
51940-034



mat'l code		SEE NOTE 2		tolerances unless otherwise specified		CUSTOMER		www.fciconnect.com	
ltr	ecr no.	dr	date	linear	.XX±.01/0.X±0.3	COPY			title 4ACP + 20S + 4P VERTICAL SOLDER RECEPT
A					.XXX±.005/0.XX±0.13	projection			
				angles	.XXX±.0020/0.XXX±0.051			product family	PwrBlade
				dr	M. MOSTOLLER 3/11/03	INCH/MM		code	213
				enr	M. MOSTOLLER 3/11/03	scale		size	dwg no
				chr	H. BREWBAKER 3/11/03	1:1		A	51940-034
				appd	M. MOSTOLLER 3/11/03			sheet	2 of 4
sheet index	revision sheet								

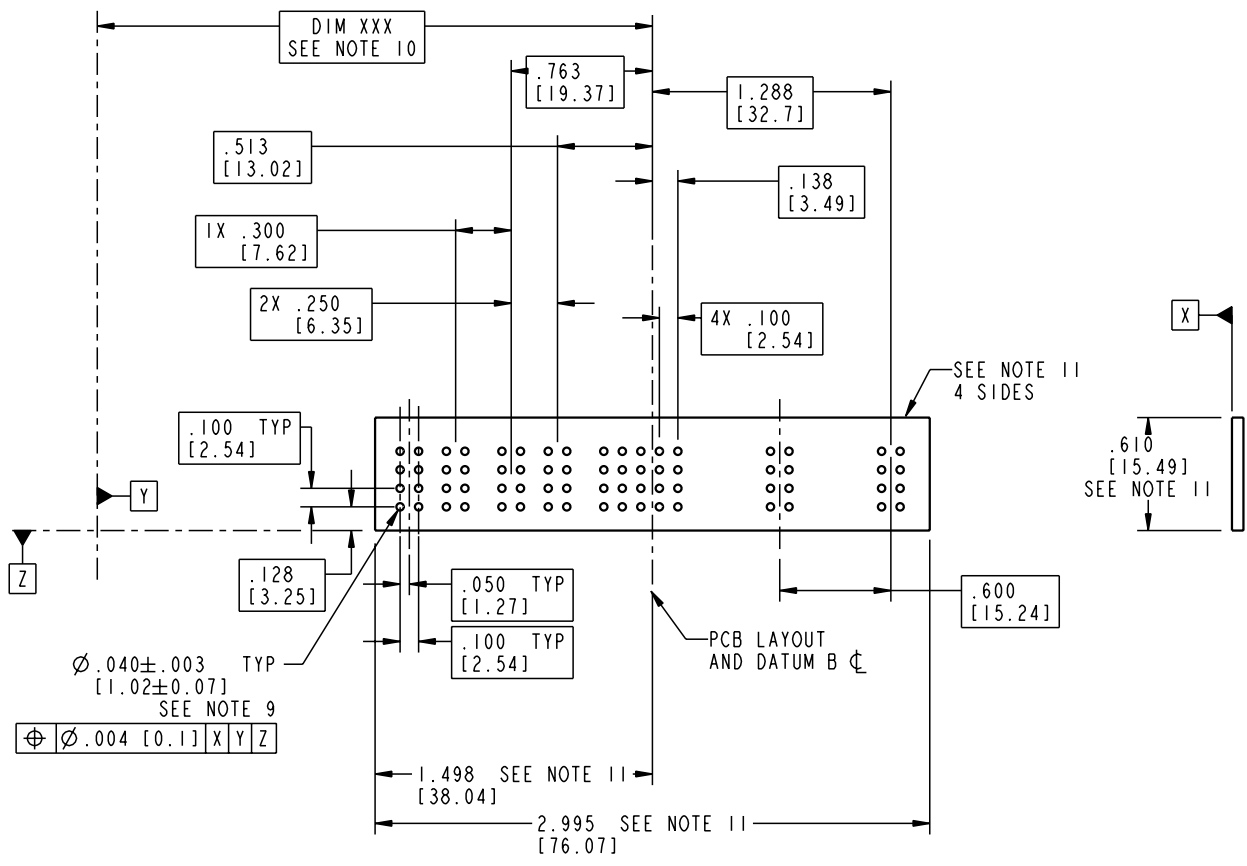
cage code 22526

Pro/E

Tous droits strictement reserves. Reproduction ou communication a des tiers interdite sous quelque forme que ce soit sans autorisation ecrite du proprietaire. Propriete de c.FCI. Droits de reproduction FCI.

All rights strictly reserved. Reproduction or issue to third parties in any form, whatever is not permitted without written authority from the proprietor. Property of FCI. Copyright FCI.

PRODUCT NUMBER
51940-034



mat'l code		SEE NOTE 2		tolerances unless otherwise specified		CUSTOMER		 www.fciconnect.com	
ltr	ecr no.	dr	date	linear	.XX±.01/0.X±0.3	COPY		title	
A				projection	.XXX±.005/0.XX±0.13			4ACP + 20S + 4P VERTICAL SOLDER RECEIPT	
				angles	.XXX±.0020/0.XXX±0.051	INCH/MM		product family	
				dr	0 ± 2°	scale		PwrBlade	
				enr	M. MOSTOLLER 3/11/03	1:1		code	
				chr	M. MOSTOLLER 3/11/03			213	
				appd	H. BREWBAKER 3/11/03			sheet	
					M. MOSTOLLER 3/11/03			3 of 4	
sheet index		revision sheet							

cage code 22526

Tous droits strictement réservés. Reproduction ou communication à des tiers interdite sous quelque forme que ce soit sans autorisation écrite du propriétaire. Propriété de c.FCI. Droits de reproduction FCI.



All rights strictly reserved. Reproduction or issue to third parties in any form, whatever is not permitted without written authority from the proprietor. Property of FCI. Copyright FCI.

1 | 2

3 |

4

PRODUCT NUMBER
51940-034

NOTES:

1. DIMENSIONS AND TOLERANCES ARE IN ACCORDANCE WITH ASME Y14.5M, 1994 UNLESS OTHERWISE SPECIFIED.

CONNECTOR NOTES:

- 2 HOUSING MATERIAL: UL 94 V-0 GLASS FILLED
HIGH-TEMP THERMOPLASTIC
POWER CONTACT MATERIAL: COPPER ALLOY
SIGNAL PIN MATERIAL: COPPER ALLOY
- 3. PLATING:
SIGNAL PINS: 30u"/0.76um Au OVER 50u"/1.27um Ni
POWER CONTACTS: 50u"/1.27um Ni UNDER ALL
WITH 30u"/0.76um Au ON CONTACT AREA
AND SnPb ON PCB INTERFACE
- 4 MANUFACTURER'S NAME, P/N, AND DATE CODE TO APPEAR ON THIS SURFACE.
- 5. PRODUCT SPECIFICATION GS-12-149.
APPLICATION SPECIFICATION BUS-20-067.
- 6. PACKAGED IN TRAYS.
- PCB NOTES:
- 7. ALL HOLE DIAMETERS ARE FINISHED HOLE SIZE.
- 8 MOUNTING HOLES, WHERE APPLICABLE, ARE UNPLATED.
- 9 $\varnothing .0453 \pm .0010$ [1.151 \pm 0.025] DRILLED HOLES PLATED WITH
.0003 [0.008] MIN SnPb OVER .001 [0.03]
TO .003 [0.08] Cu PLATING TO ACHIEVE
 $\varnothing .040 \pm .003$ [1.02 \pm .07] HOLE.
- 10 "DIM XXX" TO BE DETERMINED BY THE CUSTOMER.
- 11 CONNECTOR KEEP-OUT ZONE.

mat'l code		SEE NOTE 2		tolerances unless otherwise specified		CUSTOMER		www.ficconnect.com	
lfr	ecr no.	dr	date	linear	.XX±.01/0.X±0.3	COPY		title	
A				linear	.XXX±.005/0.XX±0.13	projection		4ACP + 20S + 4P	
				angles	.XXX±.0020/0.XXX±0.051			VERTICAL SOLDER RECEPT	
				dr	M. MOSTOLLER 3/11/03	INCH/MM		product family PwrBlade code	
				enr	M. MOSTOLLER 3/11/03	scale		size dwg no 213	
				chr	H. BREWBAKER 3/11/03	1:1		A 51940-034 sheet	
				appd	M. MOSTOLLER 3/11/03			4 of 4	
sheet index	revision sheet								

1 | 2

Pro/E

3 |

cage code 22526

4