

4

3

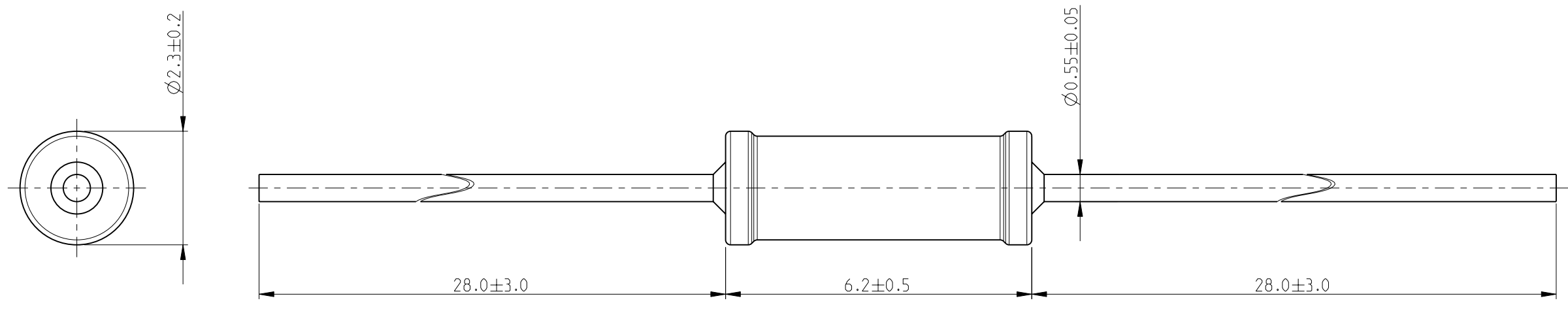
2

1

THIS DRAWING IS UNPUBLISHED. RELEASED FOR PUBLICATION 2010  
 © COPYRIGHT 2010 BY TYCO ELECTRONICS CORPORATION. ALL RIGHTS RESERVED.

| LOC | DIST | REVISIONS   |             |           |          |
|-----|------|-------------|-------------|-----------|----------|
| P   | LTR  | DESCRIPTION | DATE        | DWN       | APVD     |
| E   | B    | BA          | NEW RELEASE | 19-FEB-10 | MRS St.P |

FOR FURTHER INFORMATION SEE DATA SHEET FOR SERIES LR, METAL FILM FIXED RESISTORS



RoHS Compliant

|   |   |  |  |
|---|---|--|--|
| <small>THIS DRAWING IS A CONTROLLED DOCUMENT FOR TYCO ELECTRONICS CORPORATION IT IS SUBJECT TO CHANGE AND THE CONTROLLING ENGINEERING ORGANIZATION SHOULD BE CONTACTED FOR THE LATEST REVISION.</small> |   | DWN MAHARUDRA 19-FEB-10<br>CHK ALLAN.P 19-FEB-10<br>APVD STEPHEN.P 19-FEB-10 | Tyco Electronics Corporation<br>Dorcan, Swindon, SN3 5HH   |
| DIMENSIONS:<br>mm   | TOLERANCES UNLESS OTHERWISE SPECIFIED:<br>0 PLC $\pm 0.2$<br>1 PLC $\pm 0.1$<br>2 PLC $\pm -$<br>3 PLC $\pm -$<br>4 PLC $\pm -$<br>ANGLES $\pm 5^\circ$ | PRODUCT SPEC -<br>APPLICATION SPEC -<br>WEIGHT -                             | NAME METAL FILM FIXED RESISTORS SERIES LR1<br>SIZE A3 CAGE CODE 00779 DRAWING NO C-1622486 RESTRICTED TO - |
| MATERIAL -  | FINISH -  | CUSTOMER DRAWING SCALE 10:1 SHEET 1 OF 1 REV BA                              |  |