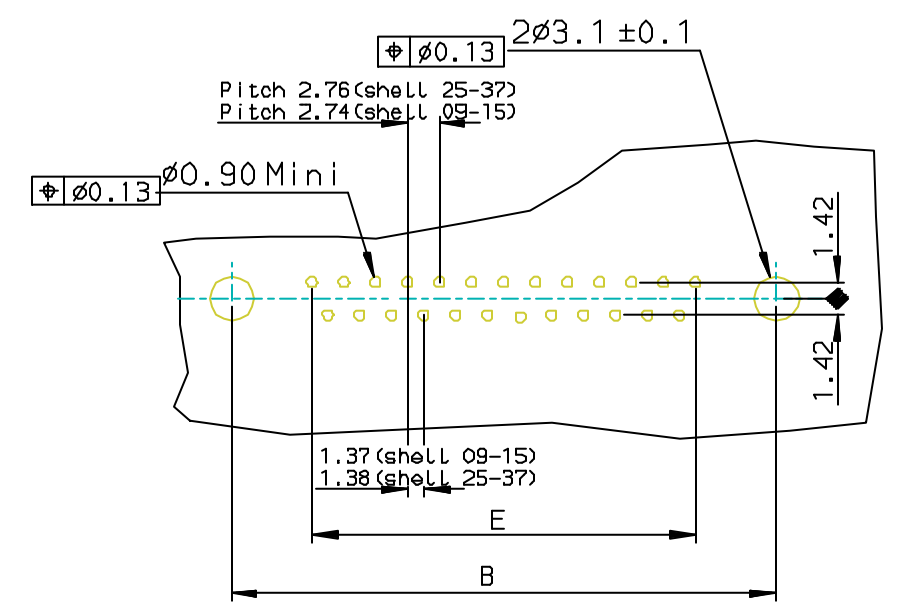


PC card drilling dimensions(after plating)
(thickness 1.60±0.20mm)



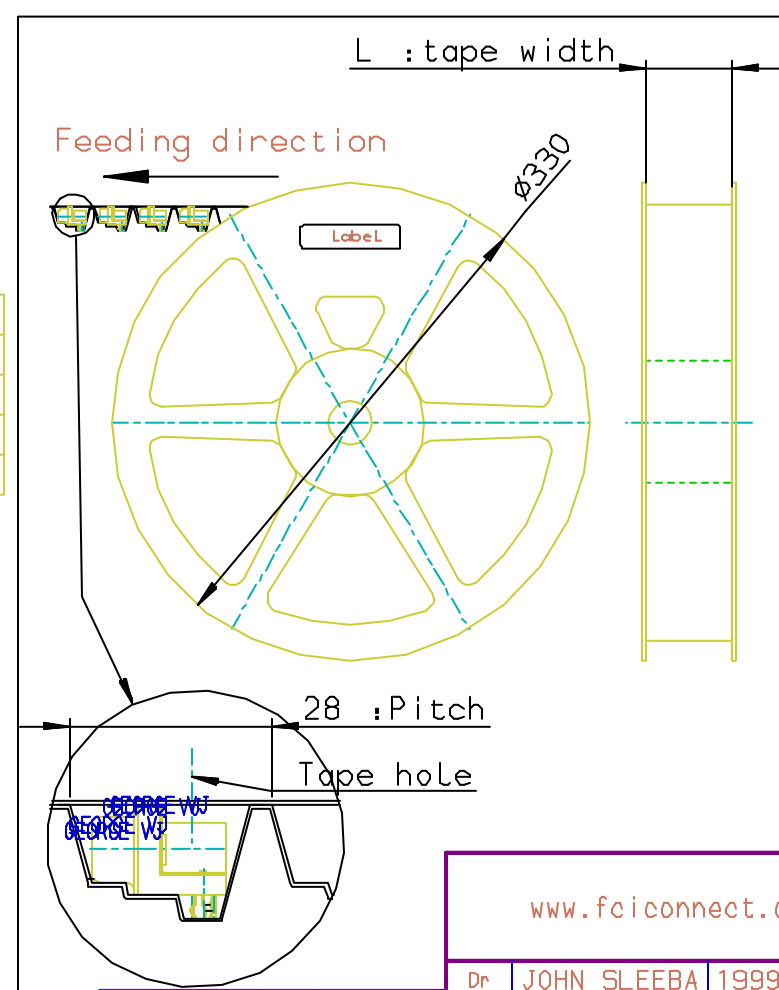
FOR ROHS DETAILS REFER DWG.N0:C01-8646-0000

SHELL	A±0.38	B±0.12	C±0.10	D±0.25	E±0.07	PART NUMBER	L/Qty
09	30.81	24.99	16.96	16.21	10.96	D09S33E6GX12**	44/130
15	39.14	33.32	25.18	24.54	19.18	D15S33E6GX12**	56/110
25	53.03	47.04	39.12	38.25	33.12	D25S33E6GX12**	72/110
37	69.32	63.50	55.68	54.71	49.68	---	-

REQUIREMENTS

Technical characteristics:
 Shell: steel tin /Zinc Cr3 plated
 Housing: self-extinguishing thermoplastic, UL class 94V0- High temperature
 Contacts size 20, phosphor bronze, 0.76µ gold on mating end bright tin on termination end over nickel on entire contact
 Cycles: >500
 Harpoon: brass, tin plated
 Metal plate for electrical continuity: brass, tin/Zinc Cr3 plated
 Nuts: brass, tin/Zinc Cr3 plated
Electrical characteristics:
 max. current rating: 5A
 Test voltage: 1000V
 Rated voltage: 300V
 Contact resistance: ≤15mΩ
 Shell resistance: ≤5mΩ
 Insulation resistance: ≥5000MΩ
Climatic characteristics:
 Operating temperature range: -55°C +225°C
Dimensions:
 in accordance with MIL-C-24308

LF FOR LEAD FREE



rev	ech no	dr	date
C	105-0124	JS	2005/07/27
D	106-0074	SK	2006/06/08
-	-	-	-
-	-	-	-
-	-	-	-
-	-	-	-

www.fciconnect.com		surface ISO 1302 ✓	tolerance std ISO 406 ISO 1101	projection mm
TOLERANCES UNLESS OTHERWISE SPECIFIED				
Dr	JOHN SLEEBA	1999/05/04	ANGULAR	LINEAR
Eng	GEORGE VJ	1999/05/04	0.X	±0.1
Chr	GEORGE VJ	2005/07/27	0.XX	±0.1
Appr	KVSD	2005/07/27	0.XXX	±0.1
Product family			D-SUB	Spec ref -
title SOCKET CONNECT.DELTA D RIGHT ANGLE TAPE and REEL packaging		dwg no C01-8646-0663		Rev. D
catalog no DELTA-D		CUSTOMER		sheet 1 of 1



Copyright FCI.