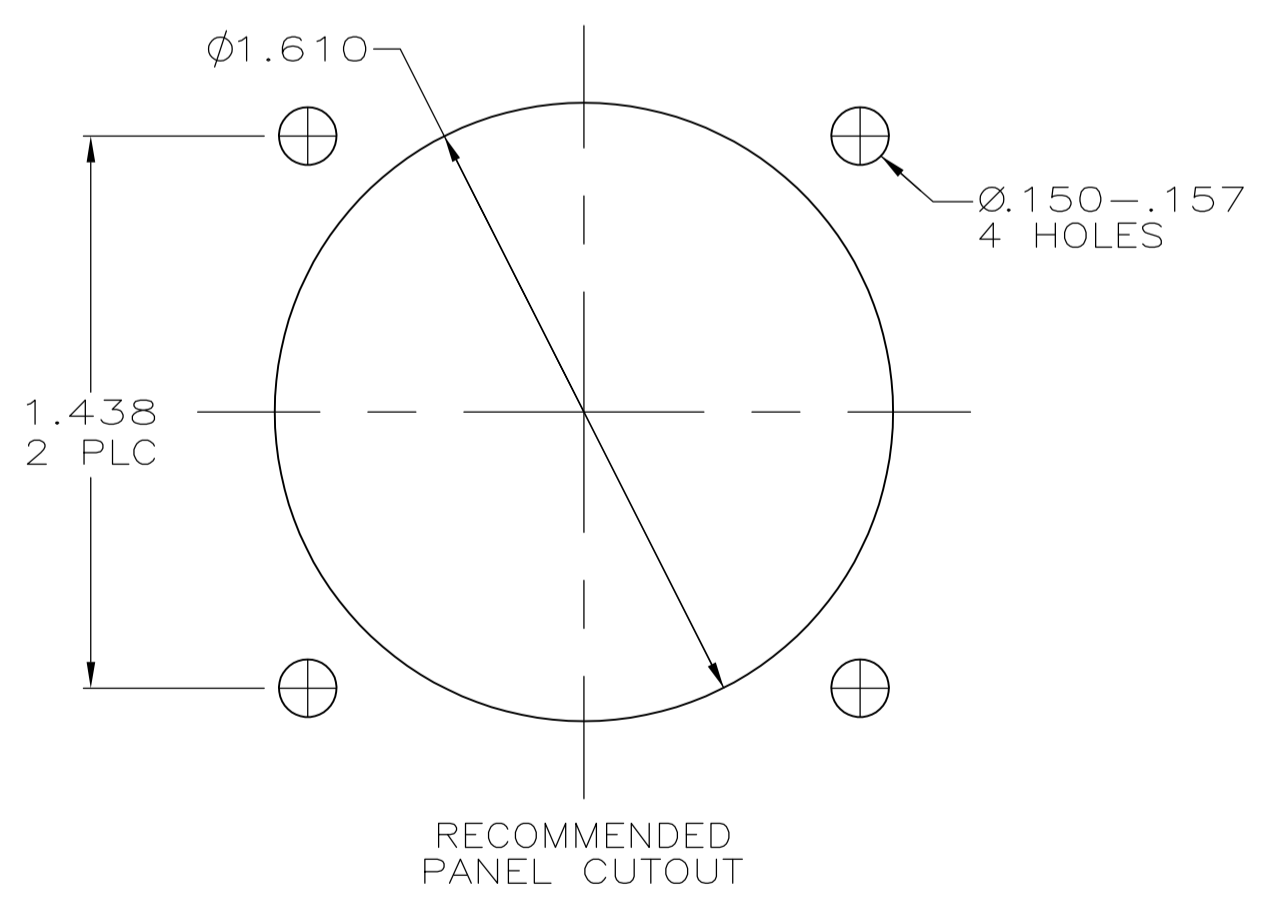
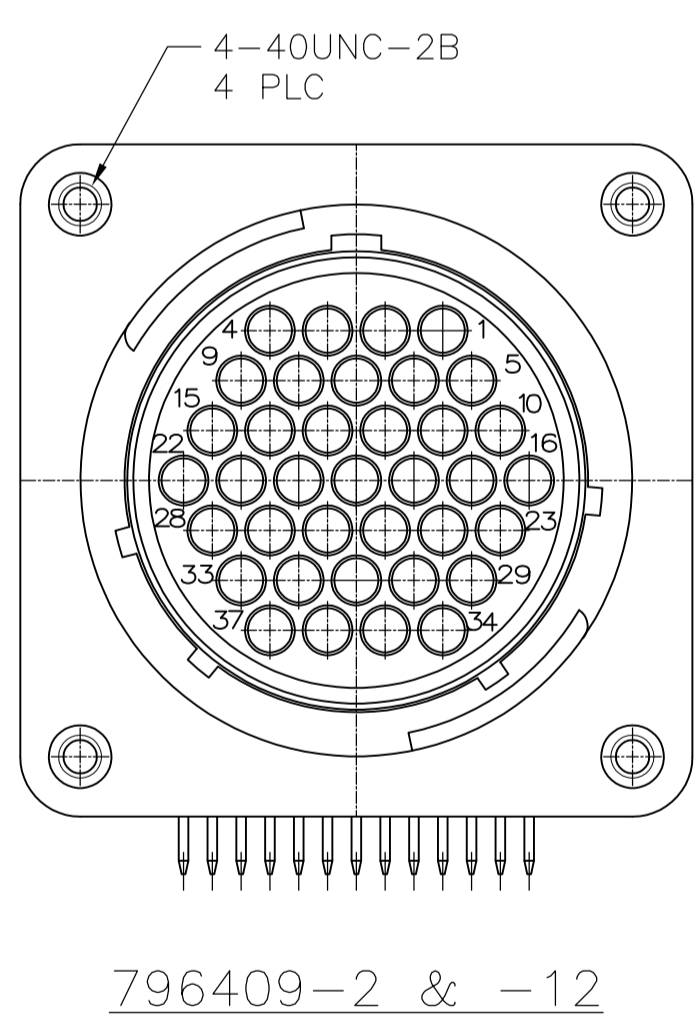
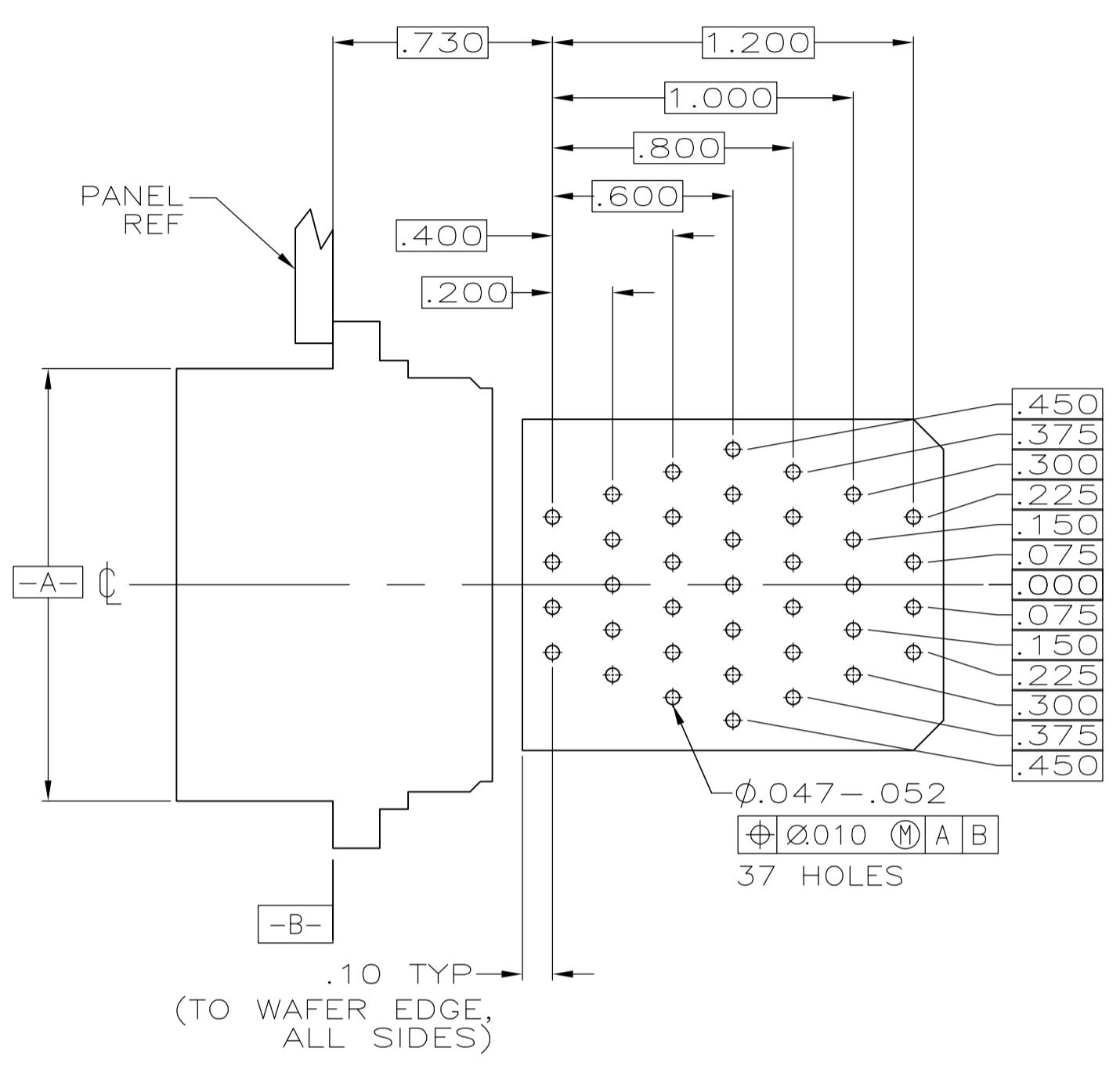
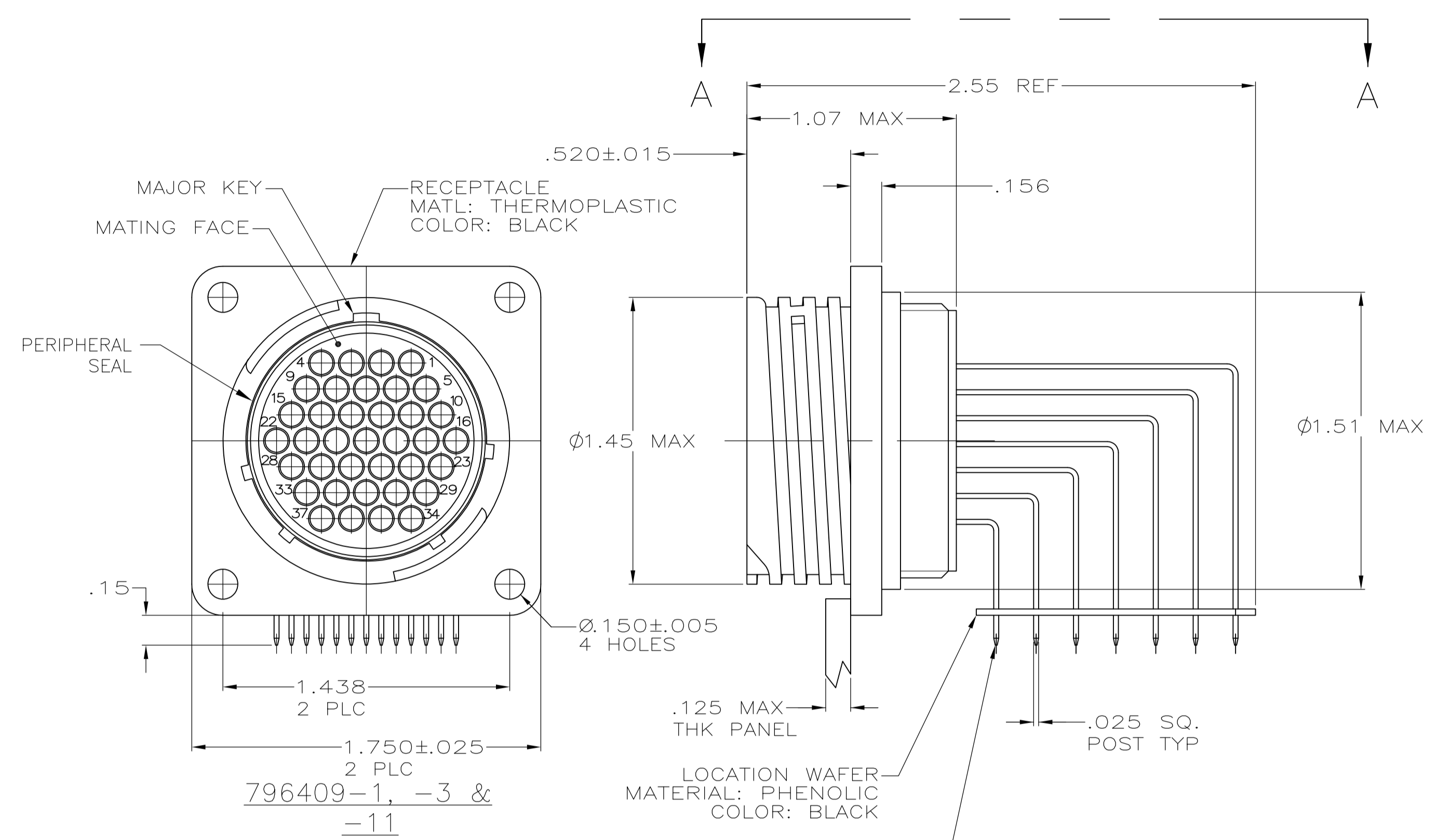


REVISIONS					
P	LTR	DESCRIPTION	DATE	DMN	APVD
F1		REVISED PER ECO-16-004800	10SEP2016	NK	MZ
G		REVISED PER ECR-16-016548	27FEB2017	RS	MZ



- CONTACT CAVITIES IDENTIFIED BY CHARACTERS ON FRONT AND REAR FACES OF CONNECTOR.
- #6 FASTENER RECOMMENDED FOR MOUNTING.
- CONTACT BODY: .000030 MIN GOLD FOR A LENGTH OF .200 MIN FROM MATING END, WITH REMAINDER TO BE GOLD FLASH, BOTH OVER .000050 MIN NICKEL.  
CONTACT POST: .000100 MIN TIN-LEAD OVER .000100 MIN COPPER.
- PC BOARD HOLE PATTERN IS DEFINED RELATIVE TO CONNECTOR C.L. AND PANEL MOUNTING FACE INDICATED.
- CONTACT BODY: .000030 MIN GOLD FOR A LENGTH OF .200 MIN FROM MATING END, WITH REMAINDER TO BE GOLD FLASH, BOTH OVER .000050 MIN NICKEL.  
CONTACT POST: .000100 MIN TIN OVER .000100 MIN COPPER.

OBSOLETE	NO	△	YES	-1-796409-2-
	NO	△	NO	1-796409-1
OBSOLETE	YES	△	NO	-796409-3-
OBSOLETE	NO	△	YES	-796409-2-
OBSOLETE	NO	△	NO	-796409-1-
	PERIPHERAL SEAL	CONTACT FINISH	THREADED INSERTS	PART NUMBER

THIS DRAWING IS A CONTROLLED DOCUMENT.

DIMENSIONS: INCHES	TOLERANCES UNLESS OTHERWISE SPECIFIED:	DIN HAMNER 3-26-00	3-27-00
0 PLC ± -	1 PLC ± -	2 PLC ± .03	3 PLC ± .010
4 PLC ± -	ANGLES ± -		

MATERIAL: - FINISH: -

APPROVED: M. CHACKO 3-27-00

NAME: RECEPTACLE ASSY, POSTED, RT ANGLE, RVS SEX, SIZE 23-37, SERIES 1, CPC

SIZE: A1 CAGE CODE: 00779 DRAWING NO: 796409

WEIGHT: -

CUSTOMER DRAWING SCALE: 2:1 SHEET: 1 OF 1 REV: G

STE TE Connectivity