

4

3

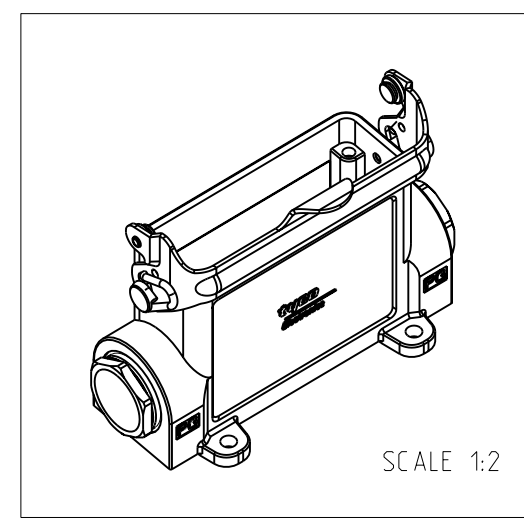
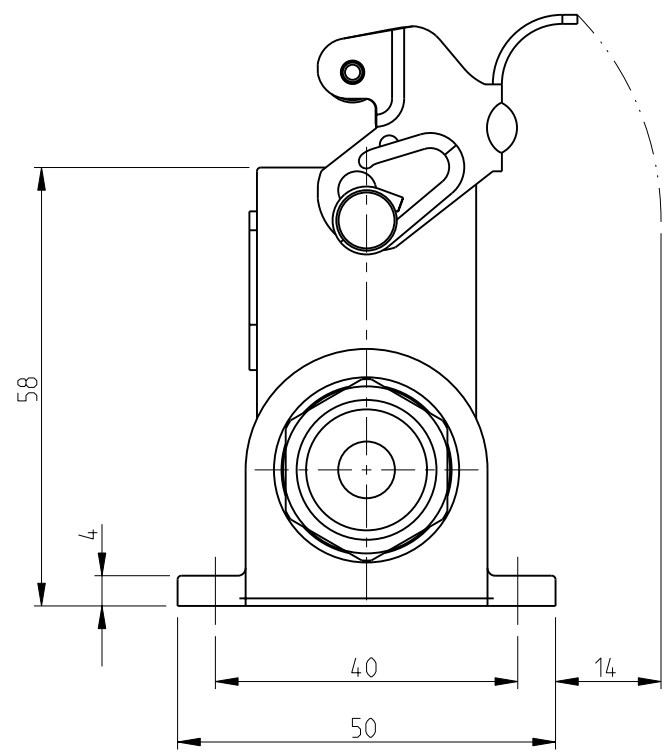
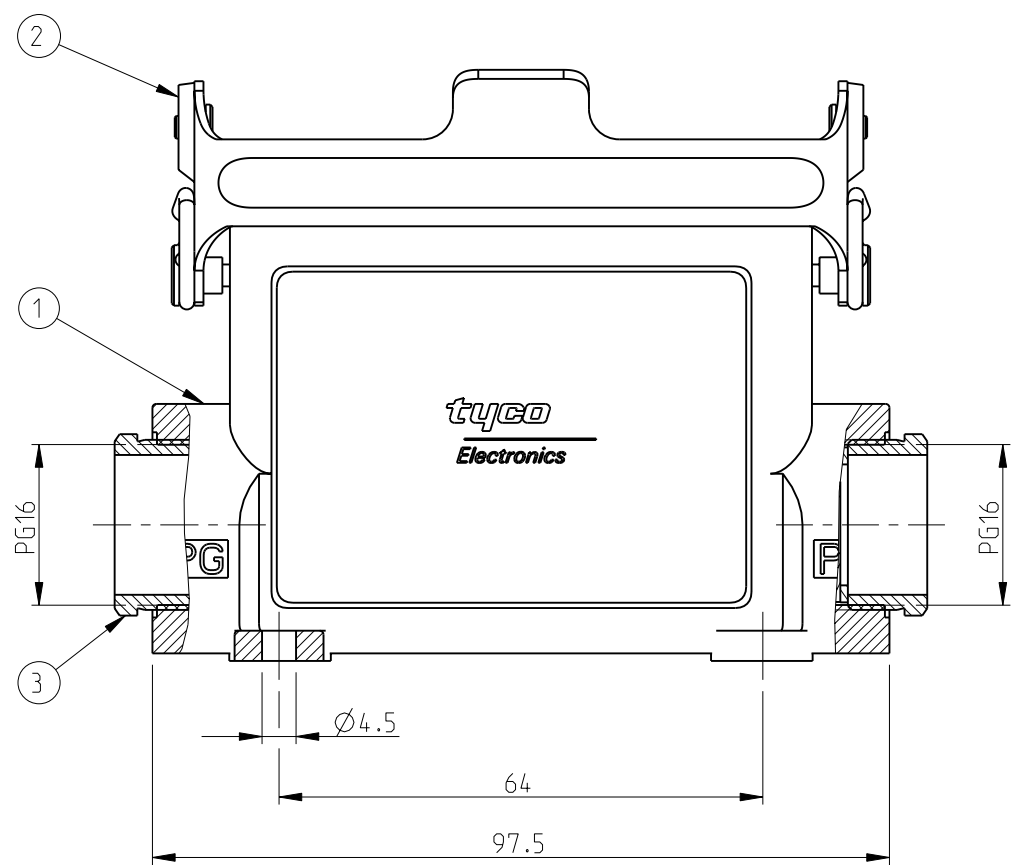
2

1

THIS DRAWING IS UNPUBLISHED. RELEASED FOR PUBLICATION 2000
 © COPYRIGHT 2000 BY TYCO ELECTRONICS CORPORATION. ALL RIGHTS RESERVED.

LOC	DIST	REVISIONS				
P	LTR	DESCRIPTION	DATE	DWN	APVD	
A1	-	B2	RELEASED AS PER ECR-09-005170	05.MAR.2009	GG	TS

- NOTES:
- 1 MATERIAL: SEE TABLE
 - 2 SURFACE: SEE TABLE
 - 3 VARNISH ON THE INSIDE NOT NECESSARY
 - 4 PACKAGING QUANTITY: 5 PIECES PER BOX



PN 1-2 AS SHOWN

1-2	DESCRIPTION	MATERIAL	SURFACE	COLOR	ITEM NO.	REMARKS
2	PRESSING SCREW	BRASS	NICKEL PLATED	BLUE	3	PG16
1	CLIP	STEEL	ZINC PLATED	BLUE	2	
1	SURFACE MOUNTED HOUSING SIDE ENTRY	ALUMINIUM		GREY RAL 7001	1	

ORDERING TEXT
 HD25.SG-LB.2.16

<small>THIS DRAWING IS A CONTROLLED DOCUMENT FOR TYCO ELECTRONICS CORPORATION. IT IS SUBJECT TO CHANGE AND THE CONTROLLING ENGINEERING ORGANIZATION SHOULD BE CONTACTED FOR THE LATEST REVISION.</small>		DWN S.KUMAR 4/24/2006 CHK P.BENNUR 4/24/2006 APVD T.SCHNURPFEL 4/24/2006		Tyco Electronics Tyco Electronics.AMP.GmbH 53757,SanktAugustin,Germany	
DIMENSIONS: mm 		TOLERANCES UNLESS OTHERWISE SPECIFIED: 0 PLC ± 1 PLC ± 2 PLC ± 3 PLC ± 4 PLC ± ANGLES ±		NAME SURFACE MOUNTED HOUSING SIDE ENTRY HD25.SG-LB.2.16	
MATERIAL 1		FINISH 2		PRODUCT SPEC 108-74009 APPLICATION SPEC 114-74004 WEIGHT -	
CUSTOMER DRAWING				SIZE A3 CAGE CODE 07799 DRAWING NO. C=1102542	RESTRICTED TO - SCALE 1:1 SHEET 1 OF 1 REV B2