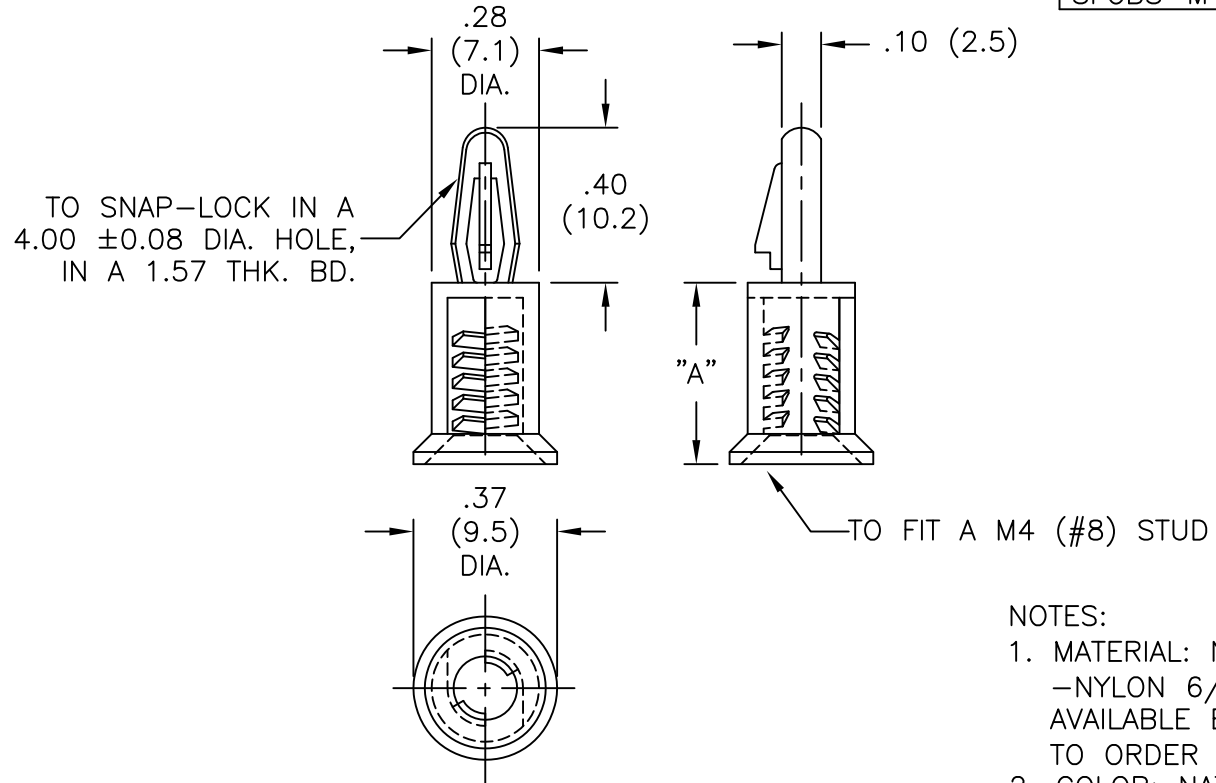


PART NO.	DIM "A" ±.015(0.4)	STUD LENGTH
SFCBS-M4-10M-01	.39 (10)	.31 (8)
SFCBS-M4-12M-01	.47 (12)	.39 (10)
SFCBS-M4-14M-01	.55 (14)	.47 (12)
SFCBS-M4-16M-01	.63 (16)	.55 (14)
SFCBS-M4-18M-01	.71 (18)	.63 (16)
SFCBS-M4-20M-01	.79 (20)	.71 (18)



- NOTES:
- MATERIAL: NYLON 6/6 UL94 V-2 (RMS-01).
-NYLON 6/6 UL94 V-0 (RMS-19),
AVAILABLE BY SPECIAL ORDER ONLY.
TO ORDER REPLACE "-01" WITH "-19"
 - COLOR: NATURAL

TITLE: STUD-FITTING CIRCUIT BOARD SUPPORT					DWG IN IN (MM)		
TOLERANCES UNLESS NOTED .XX=±.010 .XXX=±.005 FRAC=±1/64 ANG=±1'			FILE # SFCBS MAT'L: SEE NOTES RE: RICHCO, INC.	DWN: J.B. DT: 05-31-96	APP: DT:	PART # SEE TABLE	PRINT TYPE CA
C SEE CO 200407 FOR CHANGES B SEE CO 200404 FOR CHANGES A CHANGED FILE NO.AND TITLE BLOCK REV DESCRIPTION	SK 08.04.09 SK 07.31.09 SM 05.10.01 ENGR DATE						