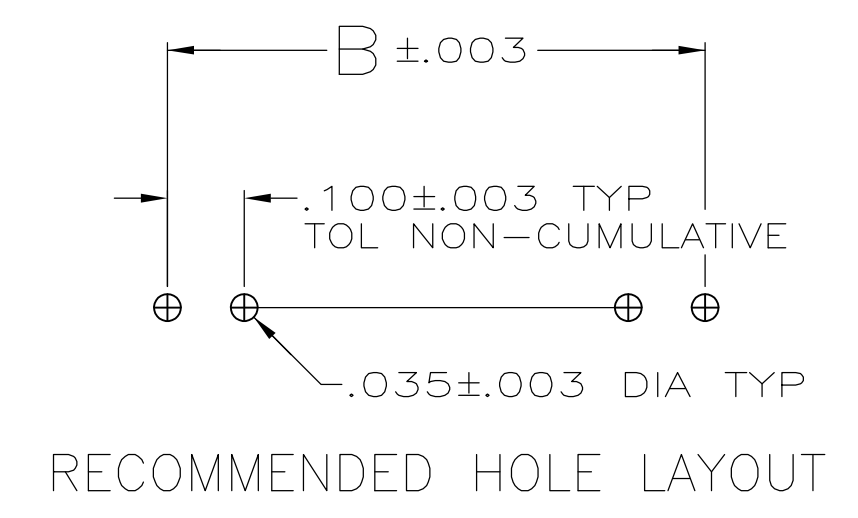


- TRUE POSITION TOLERANCE OF THE POST TIPS APPLIES WHEN THE HEADERS ARE HELD FLAT AGAINST THE PRINTED CIRCUIT BOARD
 - ASSEMBLY MAY BE BROKEN TO THE DESIRED NUMBER OF POSITIONS
- 3 PARTS PACKAGED IN TUBES.
 - 4 .000100-.000200 MATTE TIN-LEAD OVER .000050 NICKEL.
 - 5 .000100-.000200 BRIGHT TIN OVER .000050 NICKEL.
 - 6 PRELIMINARY PART - NOT RELEASED FOR PRODUCTION.
 - 7 HOUSING MATERIAL: FLAME RETARDANT THERMOPLASTIC; COLOR-BLACK.
 - 8 OBSOLETE PARTS: OBSOLETE CIS STREAMLINING PER D.RENAUD/D.SINISI



REV	DESCRIPTION	DATE	BY	CHK	APP'D
1					
2					
3					
4					
5					
6					
7					
8					
9					
10					
11					
12					
13					
14					
15					
16					
17					
18					
19					
20					
21					
22					
23					
24					
25					
26					
27					
28					
29					
30					
31					
32					
33					
34					
35					
36					
37					
38					
39					
40					
41					
42					
43					
44					
45					
46					
47					
48					
49					
50					
51					
52					
53					
54					
55					
56					
57					
58					
59					
60					
61					
62					
63					
64					
65					
66					
67					
68					
69					
70					
71					
72					
73					
74					
75					
76					
77					
78					
79					
80					
81					
82					
83					
84					
85					
86					
87					
88					
89					
90					
91					
92					
93					
94					
95					
96					
97					
98					
99					
100					

THIS DRAWING IS A CONTROLLED DOCUMENT.

DIMENSIONS: INCHES. TOLERANCES UNLESS OTHERWISE SPECIFIED:

0. PLC	± -
1. PLC	± -
2. PLC	± -
3. PLC	± .005
4. PLC	± -
ANGLES	± -

MATERIAL: PHOSPHOR BRONZE. FINISH: SEE TABLE.

APPROVED: JOHN KNITTLE, B. FLINCHBAUGH. DATE: 23NOV92.

NAME: ASSEMBLY, HEADER, BREAKAWAY, MOD II, SINGLE ROW, .100 C/L, VERTICAL, WITH .025 SQUARE POSTS.

SIZE: A1. CAGE CODE: 00779. DRAWING NO: 103327. WEIGHT: -. RESTRICTED TO: -.

CUSTOMER DRAWING. SCALE: 4:1. SHEET: 1 OF 1. REV: S2.