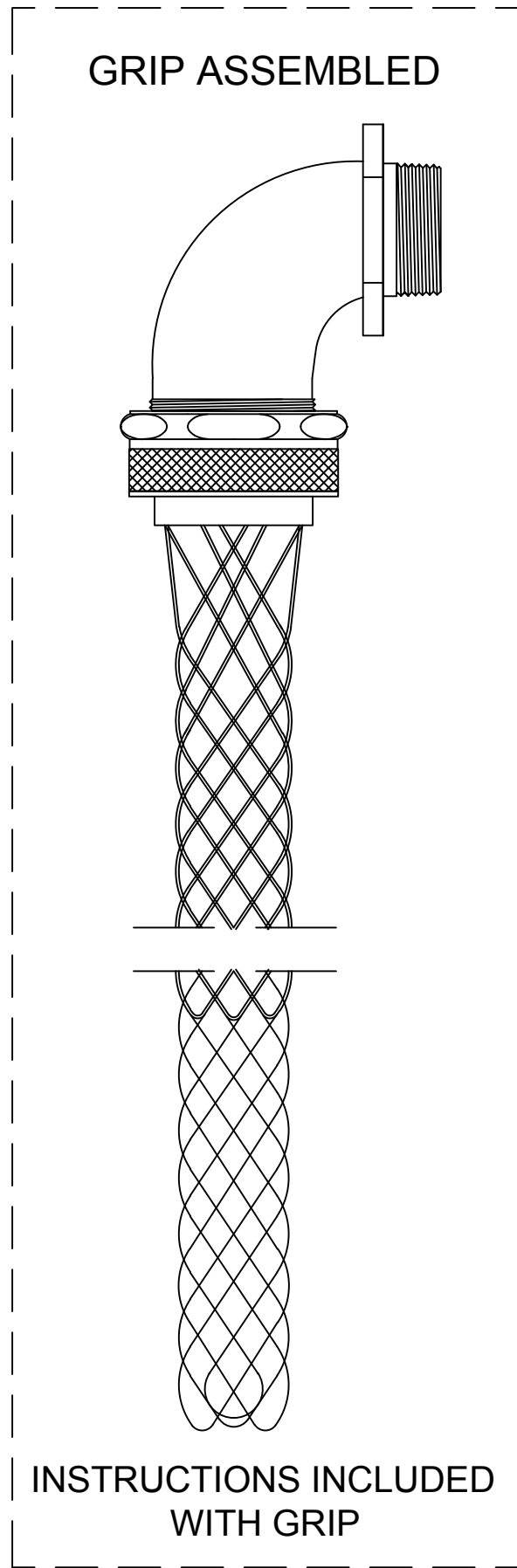
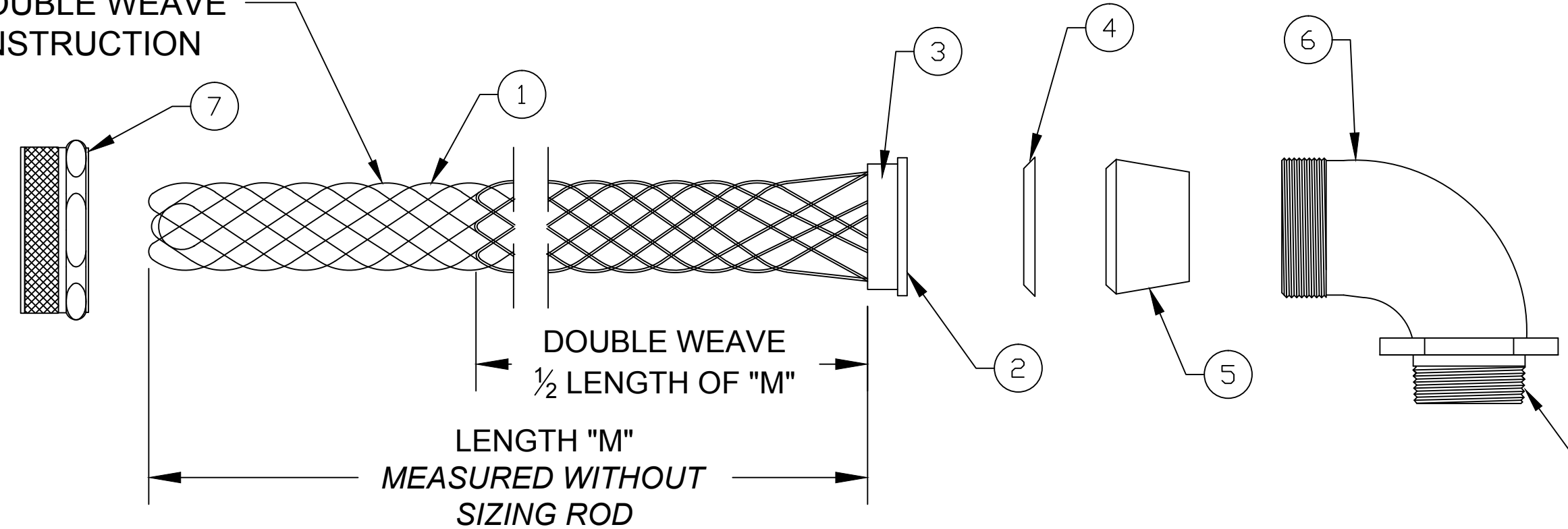


CATALOG NUMBER	MATERIAL NUMBER	CABLE RANGE	LENGTH "M"	N.P.T. FITTING SIZE	FORM SIZE	UL LISTED	CSA APPROVED	PRODUCT SELECTION NUMBER
36340	1300970210	.187-.250 / 4.75-6.35	4.250±0.500 / 107.95±12.70	1/2	2	UL	CSA	PG404-90
36342	1300970211	.250-.375 / 6.35-9.53	4.250±0.500 / 107.95±12.70					PG406-90
36344	1300970212	.375-.500 / 9.53-12.70	6.250±0.500 / 158.75±12.70					PG408-90
36346	1300970213	.500-.625 / 12.70-15.88	6.500±0.500 / 165.10±12.70					PG410-90
36347	1300970214	.250-.375 / 6.35-9.53	4.125±0.500 / 104.78±12.70	3/4	3	UL	CSA	PG606-90
36349	1300970215	.375-.500 / 9.53-12.70	5.625±0.500 / 142.88±12.70					PG608-90
36351	1300970216	.500-.625 / 12.70-15.88	6.250±0.500 / 158.75±12.70					PG610-90
36353	1300970217	.625-.750 / 15.88-19.05	8.500±1.000 / 209.55±25.40					PG612-90
36829	1300970295	.375-.500 / 9.53-12.70	5.750±0.500 / 146.05±12.70	1	4	UL	CSA	PG809-90
36830	1300970296	.500-.625 / 12.70-15.88	5.750±0.500 / 146.05±12.70					PG811-90
36355	1300970218	.625-.750 / 15.88-19.05	6.500±0.500 / 165.10±12.70					PG812-90
36357	1300970219	.750-.875 / 19.05-22.23	8.500±1.000 / 209.55±25.40					PG814-90
36359	1300970220	.875-1.000 / 22.23-25.40	9.250±1.000 / 234.95±25.40					PG816-90



SINGLE/DOUBLE WEAVE MESH CONSTRUCTION



ITEM	DESCRIPTION	MATERIAL
1	WIRE MESH	STAINLESS STEEL
2	INNER RING	ALUMINUM
3	OUTER RING	ALUMINUM
4	FRICTION RING	ZINC PLATED STEEL
5	GROMMET	RUBBER
6	THREADED BODY	ALUMINUM
7	COMPRESSION NUT	ALUMINUM

36829 5.75" WAS 9.25" EC NO: IPG2017-0557 DRWN: BPATTERS 12/1/16 CH'KD: --- APPR: HKNEELAN 2016/05/04	QUALITY SYMBOL	GENERAL TOLERANCES (UNLESS SPECIFIED)	DIMENSION STYLE INCH/MM	SCALE NTS	DESIGN UNITS INCH	THIRD ANGLE PROJECTION	
	▽=0 ∇=0	4 PLACES ±--- ±---	mm INCH	HRUIZ01 2014/10/16	TITLE	STRAIN RELIEF DELUXE 90 DEGREE MALE 1/2" TO 1" N.P.T.	
		3 PLACES ±--- ±.005		CHECKED BY DATE			
		2 PLACES ±.13 ±.010		HKNEELAN 2014/10/16		MOLEX INCORPORATED	SHEET NO. 1 OF 1
		1 PLACE ±.25 ±.020		APPROVED BY DATE			
		ANGULAR ±1/2°	JFMURPHY 2016/05/04		DOCUMENT NO. SD-130097-108		
		DRAFT WHERE APPLICABLE MUST REMAIN WITHIN DIMENSIONS	MATERIAL NO. SEE TABLE				
			SIZE C	THIS DRAWING CONTAINS INFORMATION THAT IS PROPRIETARY TO MOLEX INCORPORATED AND SHOULD NOT BE USED WITHOUT WRITTEN PERMISSION			