

DWG. NO. SD-35127-003

SIMILAR ITEM

PROJECT NO.

B

DO NOT SCALE DRAWING
DIMENSION IN METRIC

8 7 6 5 4 3 2 1

F

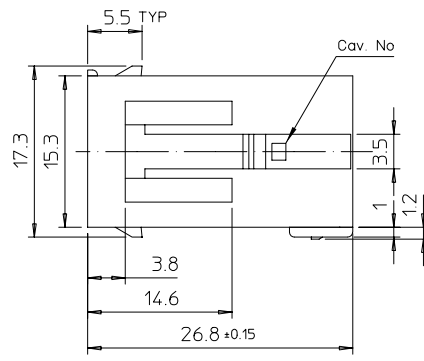
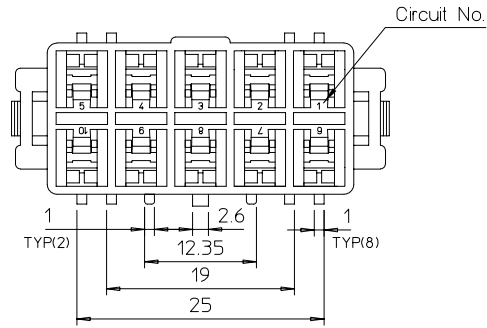
E

D

C

B

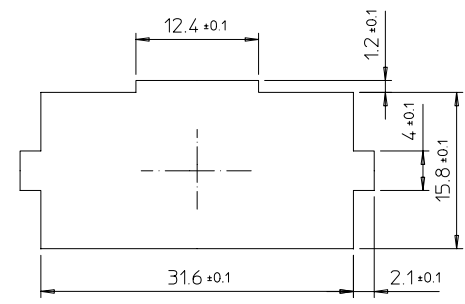
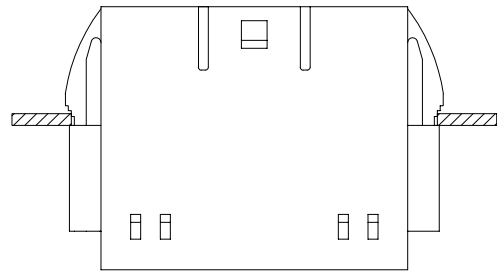
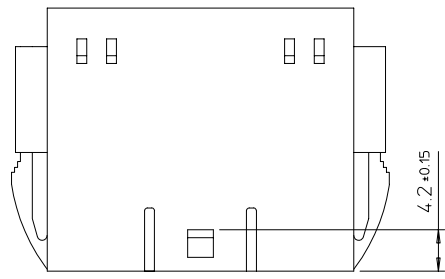
A



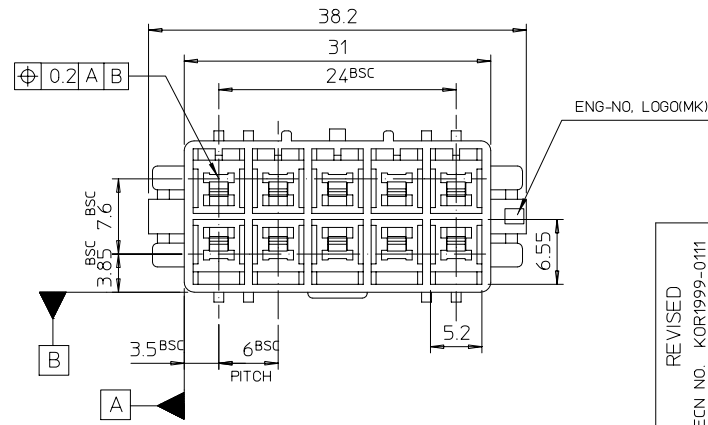
NOTES

1. MATERIALS: POLYESTER(PBT), UL94V-0, COLOR: NATURAL(WHITE)
2. DRAFT TO BE 0°30' UNLESS SPECIFIED.
3. WARPING TO BE 0.20 MAX.
4. PERMISSIBLE FLASH: 0.10MAX.
5. APPLICABLE MALE TERMINAL : 35040-****
6. MATED FEMALE HOUSING : 35128-****
7. PRODUCT SPECIFICATION : PS35127

351271000	35127-1000	10
MAT'L NO	ENG NO	CIRCUITS



APPLICABLE PANNEL
THICKNESS : 1.2~2.0mm



REVISED	ECN NO. KOR1999-0111	QUALITY SYMBOLS	GENERAL TOLERANCES: (UNLESS SPECIFIED)		SCALE 2:1	DESIGN UNITS <input checked="" type="checkbox"/> mm <input type="checkbox"/> INCH	THIRD ANGLE PROJECTION <input checked="" type="checkbox"/> <input type="checkbox"/>	DIMENSIONS:		SHT	REV
	DRWN: Y.R.WI 00.0106		MAJOR	mm	INCH	<input type="checkbox"/> mm <input type="checkbox"/> INCH		<input type="checkbox"/> mm <input type="checkbox"/> INCH	<input checked="" type="checkbox"/> mm ONLY	REVISE ON CAD ONLY	
B	CHK: J.K.OH	DESCRIPTION	4 PLACES	±0.	±.	DRAWN BY & DATE Y.J.KIM 92.01.17	CHECKED BY & DATE Y.J.KIM 92.01.17	TITLE: 6.0 PITCH W-t-W MALE HSG - 10P			
	APPR: C.W.LEE		CRITICAL	3 PLACES	±0.			±.	APPROVED BY & DATE C.W.LEE 92.01.17	MOLEX INCORPORATED	
REV			2 PLACES	±0.	±.	CAD FILENAME SD35127C_B.MI	MATERIAL NO. SEE TABLE	DRAWING NO. SD-35127-003	SHEET NO. 1 of 1	SIZE B	
			1 PLACE	±0.2	±.	THIS DRAWING CONTAINS INFORMATION THAT IS PROPRIETARY TO MOLEX INCORPORATED AND SHOULD NOT BE USED WITHOUT WRITTEN PERMISSION.					
			ANGULAR: ± 1°		KOREA MX-A3						
			DRAFT WHERE APPLICABLE MUST REMAIN WITHIN DIMENSIONS								

8 7 6 5 4 3 2 1 KOREA MX-A3